



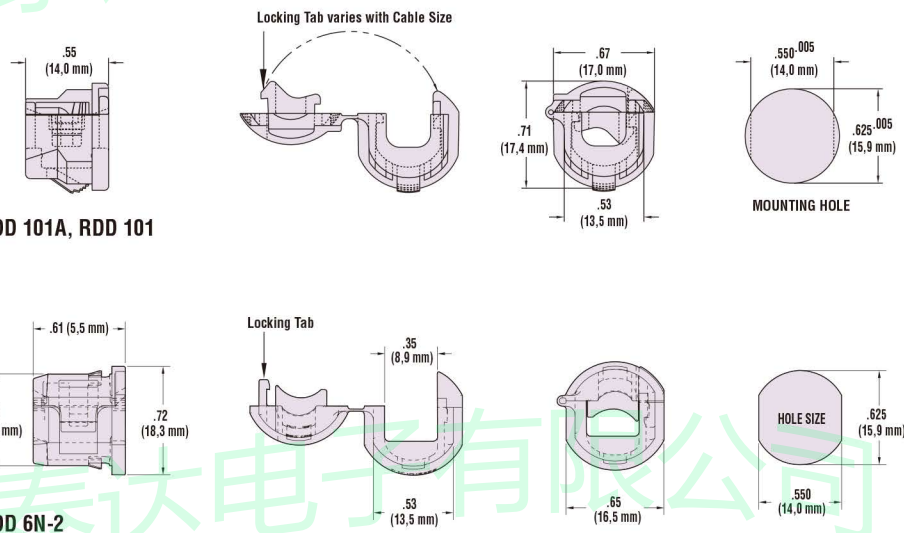
Heyco® RDD Lockit™ Strain Relief Bushings – Straight-Thru

Snap onto **Round Cables** for Faster Assembly into “**Double D**”
Mounting Holes - *Semi-Automatic Equipment Available*

- Assembly friendly! Independent of insertion into the panel, RDD Lockit™ Strain Reliefs self-lock onto the cable. Preassemble RDD Lockits “off line” for final assembly at a later time or remote location, for lower installed cost!
- Install easily with fingertip pressure into a standard round or “Double D” hole. No tools required, even for hand assembly.
- Protect the lifeline of your electric/electronic products by absorbing the forces of push and pull that may be exerted on the flexible power cord. “Double D” design eliminates the possibility of part rotation under forces of twist.
- Multiple panel locking steps secure Lockit Strain Reliefs into a wide range of panel thicknesses for a **flush, finished fit**.
- Heyco’s automated Pre-Assembly Equipment speeds assembly of the RDD onto the cable and thus lowers costs while greatly reducing risk of carpal tunnel syndrome. See pages 4-5 & 4-6.
- Consult Heyco for other wire types and sizes.
- See page 4-21 for corresponding **Mounting Hole Plugs** which can be used to fill blank/unused Mounting Holes and thus allow for a single panel design for multiple applications.

UL Type	WILL FIT THESE CABLES		PANEL DIMENSIONS				RDD LOCKIT STRAIN RELIEF for Faster Assembly			Corresponding Mounting Hole Plug		
	AWG/ Conductors	Approximate Size	Mounting Hole Size		Thickness		Black	White	DESC.	PART NO.	DESC.	
AWN SJTO & SJ	18/3	.130- .210	3,3- 5,3	.625 w/ .550 flats	15,9 w/ 14,0 flats	.032 .040 .048 .063 .099	0,8 1,1 1,2 1,6 2,5	1870	1871	RDD 101-A	2497	DD 625-550
See table on page 4-12	various	.220- .290	5,6- 7,4	.625 w/ .550 flats	15,9 w/ 14,0 flats	.032 .040 .048 .063 .099	0,8 1,1 1,2 1,6 2,5	1852	1853	RDD 101	2497	DD 625-550
SJT SJO	18/3	.300- .330	7,6- 8,4	.625 w/ .550 flats	15,9 w/ 14,0 flats	.062	1,6	1800	1801	RDD 6N-2	2497	DD 625-550

Standard color black. Consult Heyco for white and other colors.



Quick
Specs

Material Certifications
Flammability Rating
Material Temperature Index

Nylon 6/6
 Recognized under UL File E15331
 Certified by the Canadian Standards Association File 8919
 94V-2
 257°F (125°C)–Maximum temperature on part not to exceed 221°F (105°C)