



● 毫欧跳线电阻

● Milliohm jumper wire resistor

## 1, 电阻性质 Resistor features

1-1 命名特性（通常分为两种方式，主要是从电阻的选材及应用特性区分）：

Name method (Two type names distance for resistor's materials and application)

命名 A: 低阻跳线电阻, 跨接线, J 线, 康铜丝电阻, 毫欧电阻, 限流电阻。该种电阻主要选材为 Cp 线, 康铜丝等。

Named-A as low resistance jumper resistor, pitch wire resistor, J wire, constantan wire resistor, milliohm resistor, current limited resistor. This type resistor made by Cp wire and constantan wire.

命名 B: 锰铜电阻, 镍电阻, 取样电阻, 限流电阻, 毫欧电阻。该种电阻主要选材为锰铜和镍铜等。

Named-B as copper-manganese resistor, copper-nickel resistor, current sampling resistor, milliohm resistor. This type resistor made by copper-manganese wire and copper-nickel wire.

1-2 产品特性：无感，超低阻值，过负荷能力强，性能稳定；

Product's features: Non-inductive, super low resistance, power overload capacity and good stability

使用温度范围 Working temperature :  $-55^{\circ}\text{C} \sim +200^{\circ}\text{C}$

温度系数 T.C.R. :  $\pm 100\text{ppm}/^{\circ}\text{C}$

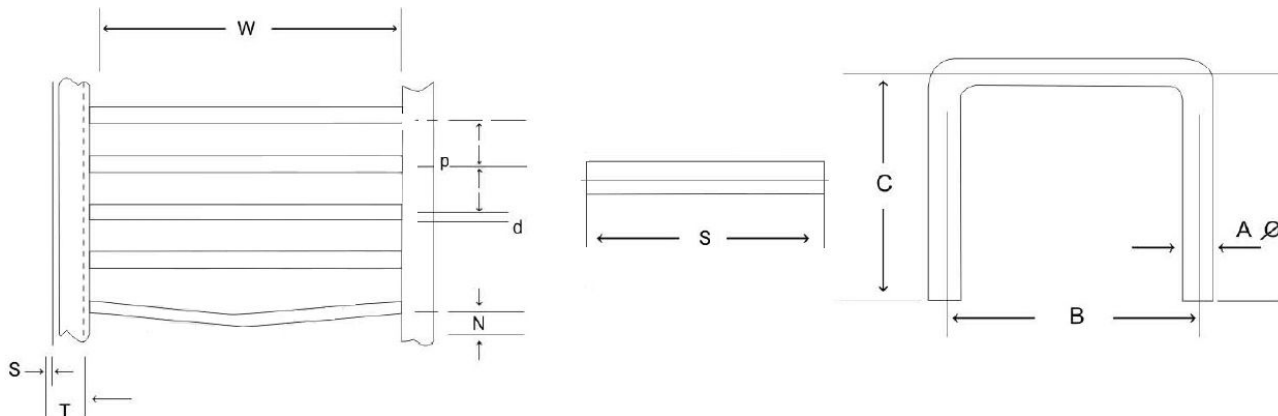
阻值精度 Tolerance :  $\pm 10\%$ ,  $\pm 5\%$

1-3 应用特性：命名 A 产品主要用于电阻的线路连接，连通电路，或限流作用；命名 B 产品主要用于电路限流，取样电路电流，适用于电源回路电流检出。

Application features: Named-A resistor main used as electric circuit connect, or current limited; Named-B resistor main used as current limited, current sampling, suit for current circuit sampling.

## 2, 规格尺寸 Specification & Dimension size

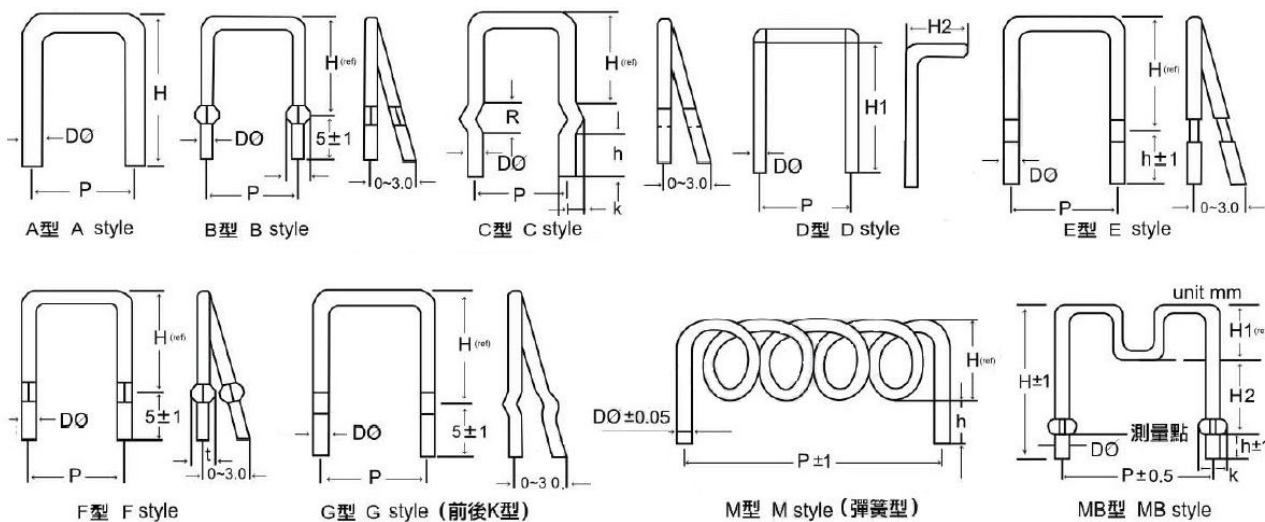
### 2-1 命名 A 产品规格尺寸 Named-A Specification & Dimension size



注：产品外形尺寸大小根据客户要求定制电阻丝直径，长度，跨距等。

Note : This Type resistor can produced by customer requirement for wire diameter, wire length, span etc.

### 2-2 命名 B 产品规格尺寸 Named-B Specification & Dimension size



注：产品外形尺寸大小根据客户要求定制电阻丝直径，长度，跨距，测量点等。

Note :This Type resistor can produced by customer requirement for wire diameter, wire length, spam and measure point etc.

### 3, 电气特性 (适用于命名 B 产品) Electrical character(suite for named-b product)

线径 ΦD(mm)	最大额定电流 (A) Max Current Rating	阻值范围 (mΩ) Resistance Range		允许阻值误差 Resistance Tolerance	温度系数 T.C.R (ppm/°C)
		锰铜 Copper-Manganese	镍铜 Copper-Nickel		
0.4	2.0	70~200m Ω	80~220m Ω	J(±5%) K(±10%)	±100ppm/°C
0.5	2.5	50~150m Ω	60~165m Ω		
0.6	3.0	50~100m Ω	60~110m Ω		
0.7	4.0	30~70m Ω	35~75m Ω		
0.8	4.5	20~50m Ω	25~55m Ω		
0.9	5.0	20~40m Ω	25~40m Ω		
1.0	5.5	15~30m Ω	20~30m Ω		
1.1	6.0	15~20m Ω	16~22m Ω		
1.2	7.0	10~20m Ω	12~22m Ω		
1.3	7.5	10~20m Ω	12~22m Ω		
1.4	8.0	10~20m Ω	12~22m Ω		
1.5	9.0	10~20m Ω	12~22m Ω		
1.6	9.5	10~15m Ω	12~16m Ω		
1.8	11	5~10m Ω	6~11m Ω		
2.0	12	3~10m Ω	6~11m Ω		
2.4	13.5	2~5m Ω	3.5~5.5m Ω		
2.5	14	2~5m Ω	3.5~5.5m Ω		

### 4, 订货试例 Order sample

#### 4-1 命名 A 产品订货试例 Named-A product Order sample

JP-5×10×5-Φ0.8

含义：跳线电阻直径Φ0.8mm，脚长 5mm，跨距 10mm。

Meaning: Jumper wire resistor diameter is 0.8mm, foot length is 5mm, Spam is 10mm.

#### 4-2 命名 B 产品订货试例 Named-B product Order sample

JM(JN) - Φ0.8 - 10mΩ - J A

① ② ③ ④ ⑤

含义 Meaning: ①JM 锰铜电阻, JN 镍铜电阻; ② 电阻丝直径 Wire diameter; ③阻值 Resistance;

④阻值精度 Tolerance; ⑤电阻外形规格 Form