

DIN Rail-Mounted Frequency Transmitter
DIN1x1 ISO F-P-O

General characteristics:

- Accuracy Grade:0.1/0.2/0.5. Extremely high linearity in whole process(nonlinearity<0.1%)
 - Three-port isolation:2500VDC power supply/input/output
 - Power supply:5VDC/12VDC/24VDC etc.
 - Input frequency signal:0-1KHz/0-5KHz/0-10KHz,etc.
- Output voltage: 0-2.5V/0-5V/0-10V or current signal: 0-10mA/0-20mA/4-20mA
- Industrial temperature range: -20~+85 °C
 - DIN35 Rail Mounting package

ISO9001:2008



Applications:

- Sine wave, square wave, sawtooth wave etc. signal isolated amplifier and converter.
- Transducer(FA) frequency signal data acquisition.
- Generator, electromotor etc. Circumgyratory systems.
- Equipment and sensor signal acquisition.
- Non-electricity meter signal transfer

Part number and description:

DIN1x1 ISO- F□- P□- U(A)□

Input signal	Accessorial power supply	Output rated voltage (or current)
F1:0-1KHz	P1:DC24V	O1:4-20mA
F2:0-5KHz	P2:DC12V	O2:0-20mA
F3:0-10KHz	P3:DC5V	O4:0-5V
F8:User-defined	P4:DC15V	O5:0-10V
	P8:User-defined	O6:1-5V
		O8: User-defined

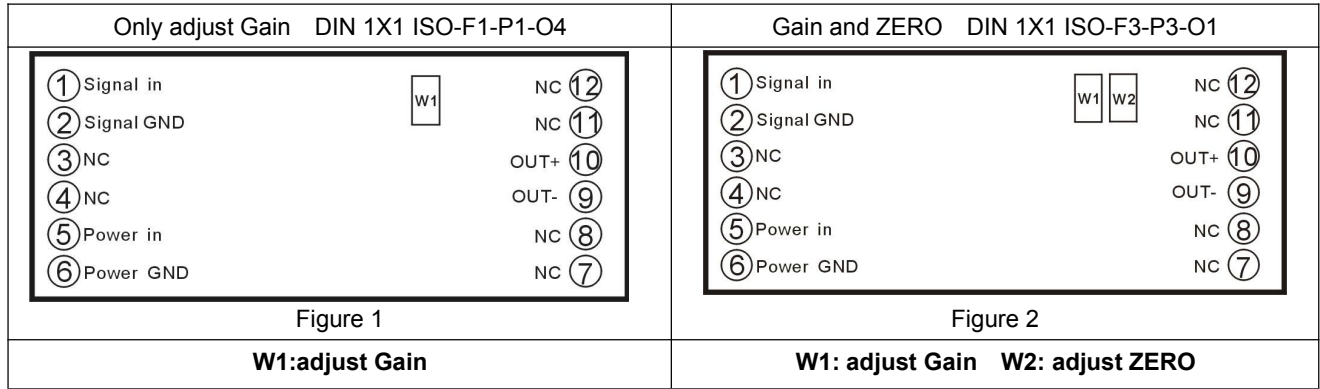
Model Selection Examples: Input: 0-1K Power Supply:24VDC ,Output:0-5V Part No.:DIN1x1 ISO F1-P1-O4

Technical parameter:

Parameter	Test Condition	Mix	Type	Max	Unit	
Isolated voltage	AC,50Hz,1min	1000	2500		V(rms)	
Input signal	Frequency	0	1000	20000	Hz	
	Voltage	2.5	5		Vp-p	
G.Adj	Voltage	5K	1		KHZ/V	
	Current	5K	1/4		KHZ/mA	
G.Adj temperature drift			100		ppm/°C	
Non-linearity			0.1		%FSR	
Input maladjusted voltage			5	7	mV	
Output signal			5	10	V	
Load capability	Vout=10V	1			kΩ	
Signal output ripple	No-filter		5	7	mV	
Signal voltage temperature drift			25		μV/°C	
Reference voltage source	Iout<50mA		5		V	
Assistant power	Voltage	User-defined	3.3	12	24	VDC
	Current	VD=24V		50		mA
Power output ripple	No-filter	10			mV	
Operating temperature		-20		80	°C	
Storage temperature		-40		125	°C	

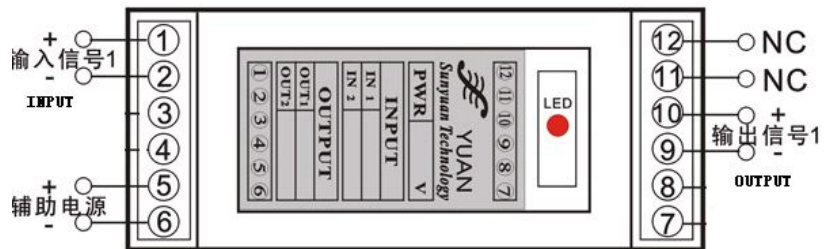
Functional Block

DIN Rail PCB Size:79.5x32.5mm



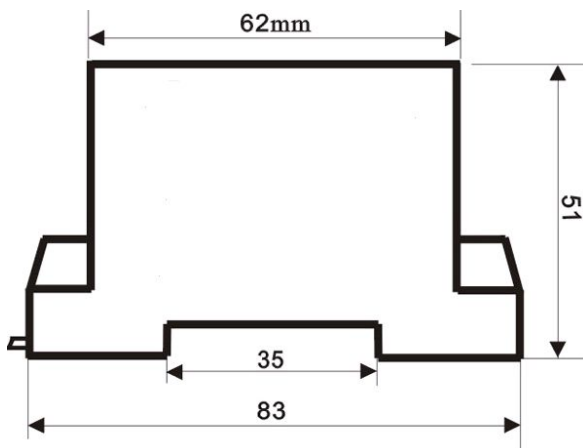
Terminal Definition:

Pin	Function
1	Fin
2	GND
3	NO PIN
4	NO PIN
5	Power in
6	Power GND
7	NO PIN
8	NO PIN
9	Out-
10	Out+
11	NO PIN
12	NO PIN



Top view

Dimension:



Side view



Bottom view

Note: The specification is subject to change without notice.