

IZ series

Preliminary

Rear mounted sealed pushbutton switches - bushing Ø 16 - metal - latching

Distinctive features and specifications



- Rear mounting for easier installation
- Latching action metal models
- Fixed or variable panel thickness
- Illuminated or non-illuminated
- Flat actuator for optional marking
- Sealed to IP67

ENVIRONMENTAL AND GENERAL SPECIFICATIONS

- Degree of protection : IP67
- Temperature range : -40°C to +85°C
- Total travel : 2,5 mm (.098)
- Mechanical life : 200.000 cycles

ELECTRICAL SPECIFICATIONS

- Max. current/voltage rating with resistive load : 100mA 24VDC - 200.000 cycles
- Initial contact resistance : 100 mΩ max.
- Insulation resistance : 1 GΩ min. at 500VDC
- Dielectric strength : 1.500 Vrms between terminals
1.000 Vrms between terminals and frame

LED COMPONENT SPECIFICATIONS

LED colour	Forward current	Typ. forward voltage	Max. forward voltage
Super red (LOS)	20mA	1,95V	1,95V
Yellow (LOY)	20mA	2V	2,05V
Green (LOG)	20mA	3,2V	3,70V
Blue (LOB)	20mA	3,2V	4V

A resistor must be series-connected by the user.

Resistor value = $\frac{\text{supply voltage} - \text{LED forward voltage}}{\text{LED forward current}}$

On flying lead versions, the LED resistor can be integrated by APEM on request.

MATERIALS

- Case : thermoplastic UL94-V0
- Plunger : polyamide
- Bushing/bezel : brass, nickel plated
- Contacts : silver, gold plated
- Multi-wire lead AWG20, section 0,6 mm²
- LED wire : AWG26, section 0,12 mm²
- Lens : polycarbonate
- Terminal seal : epoxy

Dimensions : First dimensions are in mm while inches are shown as bracketed numbers.

Tolerance : The general tolerance for dimensions in this brochure is ± 0,3 (.012).

Overall dimension tolerance is ± 0,5 (.020).

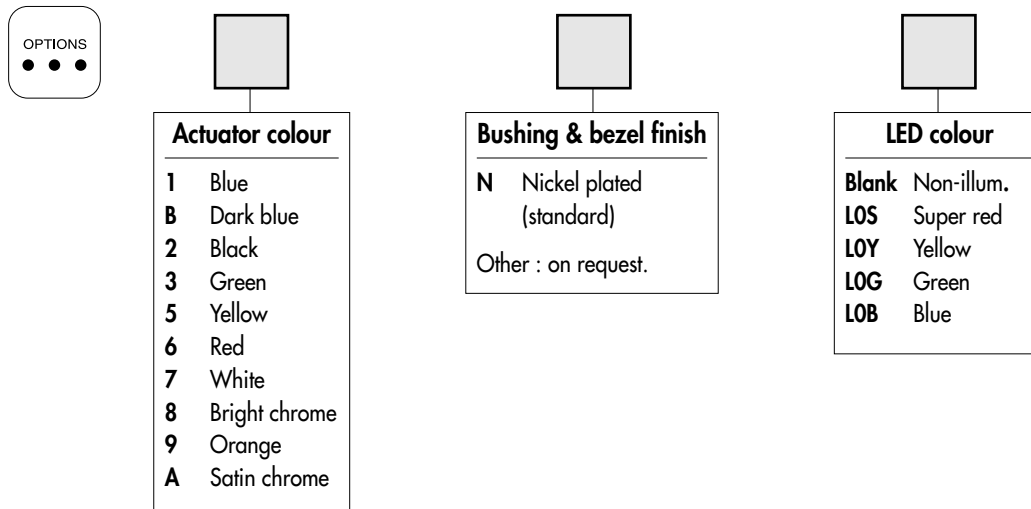
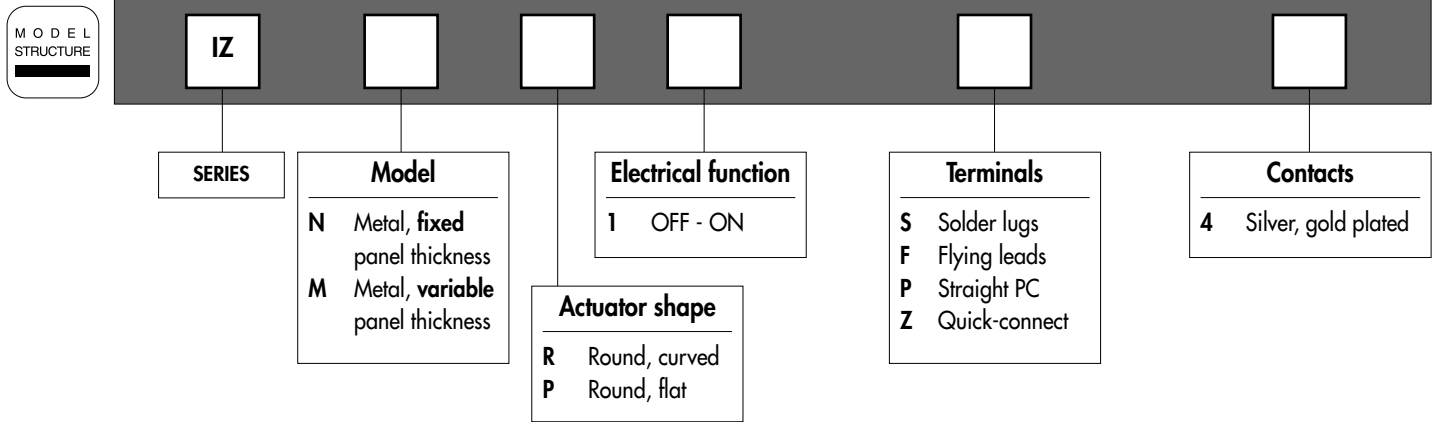
Dimensions, specifications and data shown in this catalogue are subject to change without notice.

IZ series

Preliminary

Rear mounted sealed pushbutton switches - bushing Ø 16 - metal - latching

Overview



ABOUT THIS SERIES

On the following pages, you will find successively :
model structure of switches and options in the same order as in above chart

Dimensions : first dimensions are in mm while inches are shown as bracketted numbers.



NOTICE : please note that not all combinations of above numbers are available. Refer to the following pages for further information.



Mounting accessories : Standard hardware supplied :
- IZN : 1 castellated nickel plated brass nut U6911 + 1 O-ring
- IZM : 1 castellated nickel plated brass nut U6911 + 1 silicone flat seal + 1 hex nut 19 mm (.748) across flats U4116.



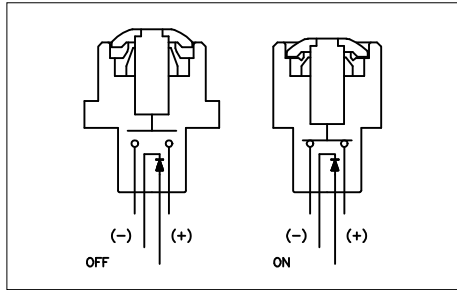
Packaging unit : 25 pieces for flying lead models - 40 pieces for other models

IZ series

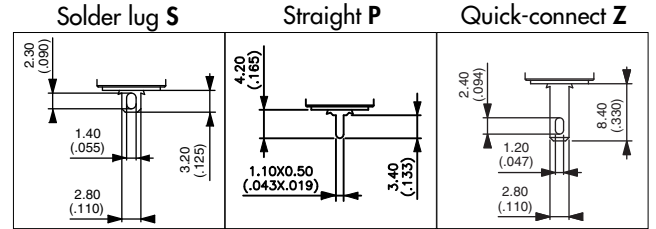
Preliminary

Rear mounted sealed pushbutton switches - bushing Ø 16 - metal - latching

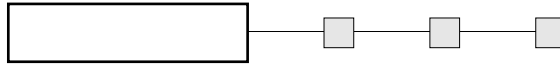
Illuminated



- Four LED colours
- Tin plated LED terminals
- Gold plated contacts



MODEL STRUCTURE



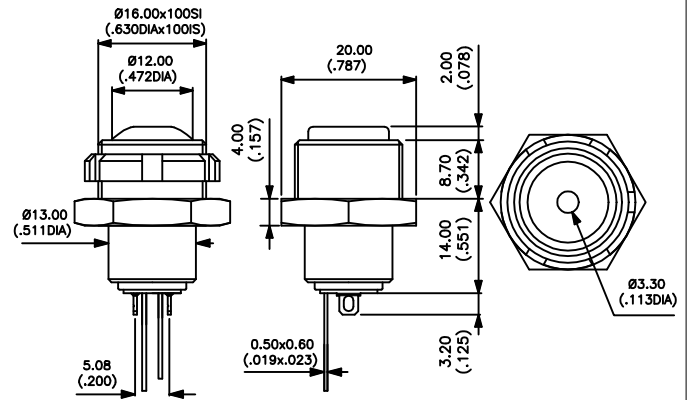
Plunger marking available on IZ•P models (symbol 10 mm max.). On request.

Fixed panel thickness - solder lug terminals



- Curved actuator **IZNR1S4** OFF - ON
- Flat actuator **IZNP1S4** OFF - ON

Also available with straight PC terminals : **IZN•1P4** & quick-connect terminals : **IZN•1Z4**.

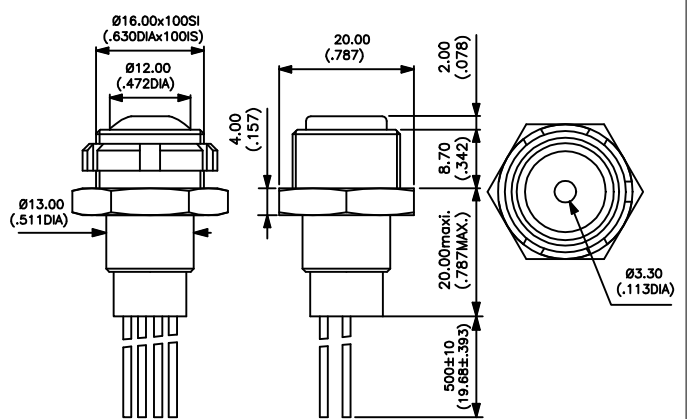


Fixed panel thickness - flying lead terminals



- Curved actuator **IZNR1F4** OFF - ON
- Flat actuator **IZNP1F4** OFF - ON

Wire colours : black : contact,
red : LED anode(+), blue : LED cathode (-)

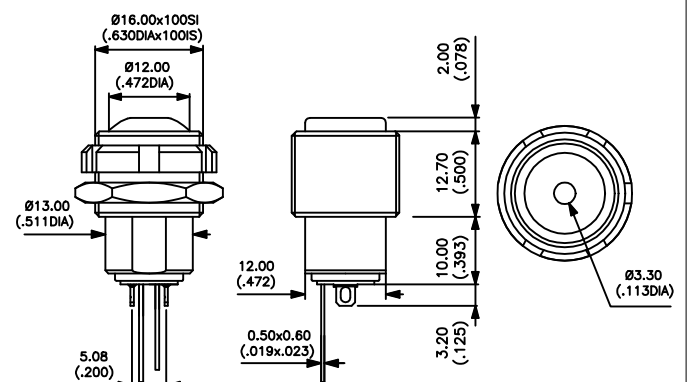


Variable panel thickness - solder lug terminals



- Curved actuator **IZMR1S4** OFF - ON
- Flat actuator **IZMP1S4** OFF - ON

Also available with straight PC terminals : **IZM•1P4** & quick-connect terminals : **IZM•1Z4**.



IZ series

Preliminary

Rear mounted sealed pushbutton switches - bushing Ø 16 - metal - latching

Illuminated

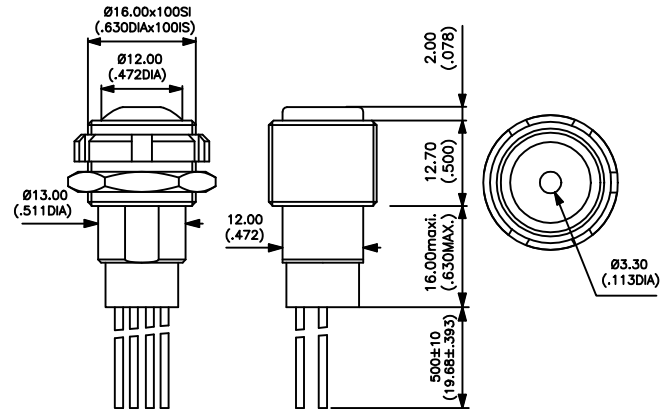
Variable panel thickness - flying lead terminals



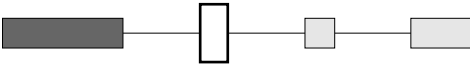
Curved actuator
IZMR1F4 OFF - ON

Flat actuator
IZMP1F4 OFF - ON

Wire colours : black : contact,
red : LED anode(+), blue : LED cathode (-)

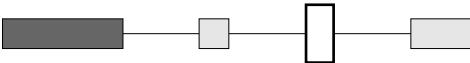


ACTUATOR COLOUR



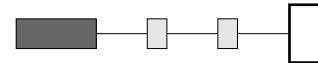
1 : blue - B : dark blue - 2 : black - 3 : green - 5 : yellow - 6 : red - 7 : white - 8 : bright chrome - 9 : orange
A : satin chrome

BUSHING AND BEZEL COLOUR



N : nickel plated (standard)
Other : on request.

LED COLOUR



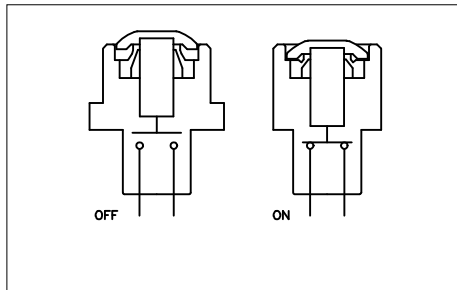
LOS : super red - LOY : yellow - LOG : green
LOB : blue

IZ series

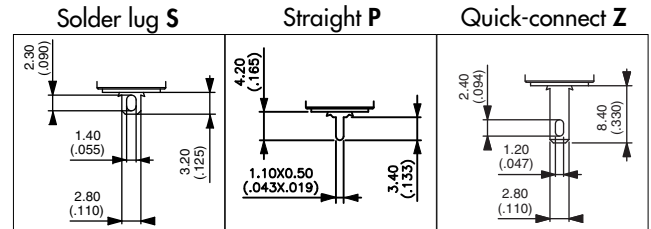
Preliminary

Rear mounted sealed pushbutton switches - bushing Ø 16 - metal - latching

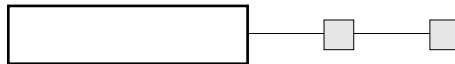
Non-illuminated



- Gold plated contacts



MODEL STRUCTURE



Plunger marking available on IZ•P models (symbol 10 mm max.). On request.

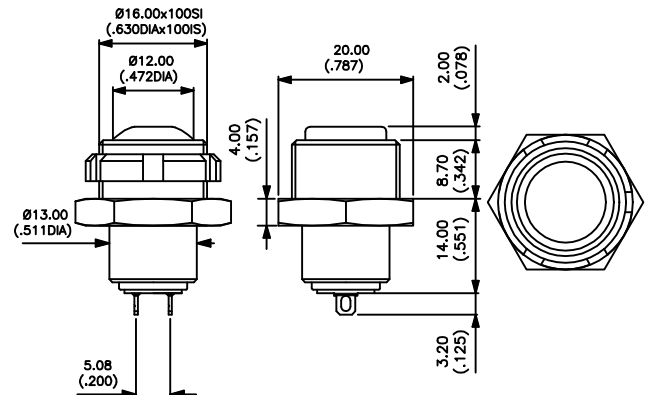
Fixed panel thickness - solder lug terminals



Curved actuator
IZNR1S4 OFF - ON

Flat actuator
IZNP1S4 OFF - ON

Also available with straight PC terminals :
IZN•1P4 & quick-connect terminals : **IZN•1Z4**.



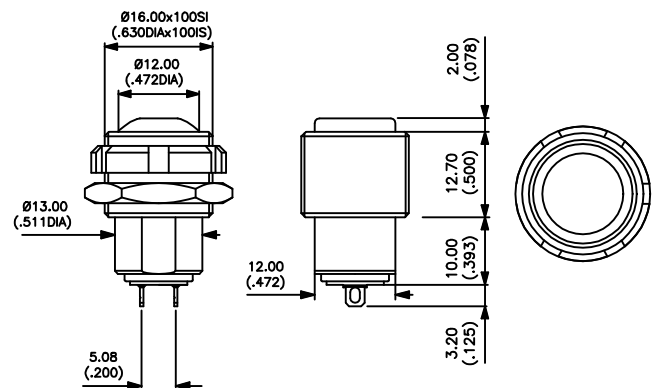
Variable panel thickness - solder lug terminals



Curved actuator
IZMR1S4 OFF - ON

Flat actuator
IZMP1S4 OFF - ON

Also available with straight PC terminals :
IZM•1P4 & quick-connect terminals : **IZM•1Z4**.



For FLYING LEAD versions, refer to previous pages (illuminated models). Non-illuminated have 2 wires only.

ACTUATOR COLOUR



1 : blue - B : dark blue - 2 : black - 3 : green - 5 : yellow - 6 : red - 7 : white - 8 : bright chrome - 9 : orange
A : satin chrome

BUSHING AND BEZEL COLOUR



N : nickel plated (standard)

Other : on request

IZ series

Preliminary

Rear mounted sealed pushbutton switches - bushing Ø 16 - momentary

Distinctive features and specifications



- Rear mounting for easier installation
- Momentary models
- Illuminated or non-illuminated
- Flat actuator for optional marking
- Sealed to IP67
- Screw version available up to 4A

ENVIRONMENTAL AND GENERAL SPECIFICATIONS

- Degree of protection : IP67
- Temperature range : -40°C to +85°C
- Total travel : 1,7 mm (.067)
- Mechanical life : 1.000.000 cycles

ELECTRICAL SPECIFICATIONS

- Max. current/voltage rating with resistive load :
 - Gold plated silver contacts (code 4) :
200mA 48VDC - 200mA 250VAC
 - Silver contacts (code 2) - screw terminals : 2A 250VAC - 4A 48VDC
- Electrical life at full load : 500.000 cycles
- Initial contact resistance : 100 mΩ max.
- Insulation resistance : 1 GΩ min. at 500VDC
- Dielectric strength : 1.000 Vrms 50 Hz

LED COMPONENT SPECIFICATIONS

LED colour	Forward current	Typ. forward voltage	Max. forward voltage
Super red (LOS)	20mA	2,1V	2,3V
Yellow (LOY)	20mA	2,1V	2,3V
Green (LOG)	20mA	2,1V	2,3V
Blue (LOB)	20mA	3,2V	3,8V
White (LOW)	20mA	3,35V	4,25V

A resistor must be series-connected by the user.

Resistor value = $\frac{\text{supply voltage} - \text{LED forward voltage}}{\text{LED forward current}}$

On flying lead versions, the LED resistor can be integrated by APEM on request.

MATERIALS

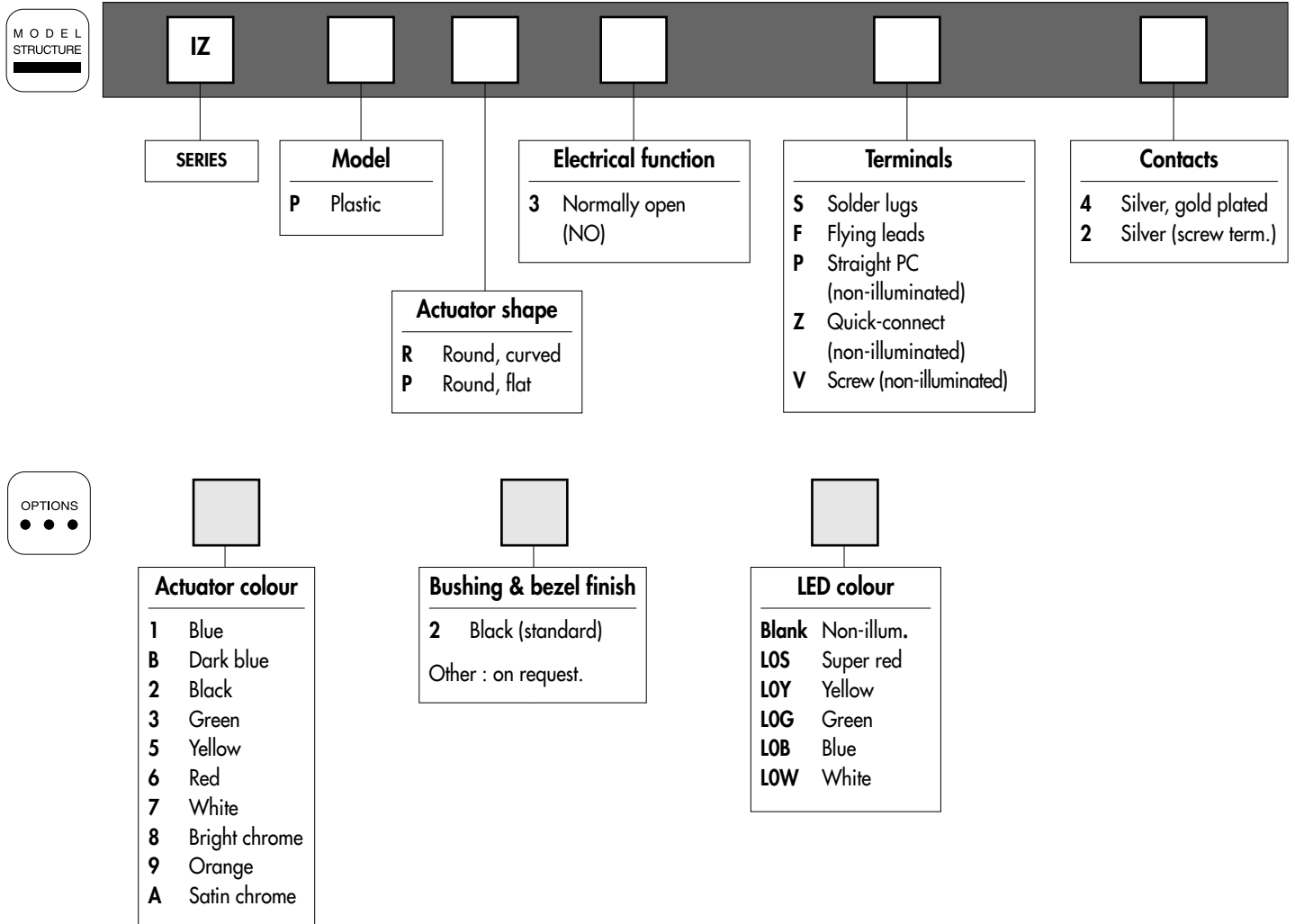
- Case : thermoplastic UL94-V0
- Plunger : polyamide
- Bushing/bezel : polyamide
- Contacts :
 - 4 : silver, gold plated
 - 2 : silver (screw terminals)
- Multi-wire lead AWG20, section 0,6 mm²
- LED wire : AWG26, section 0,12 mm²
- Lens : polycarbonate
- Terminal seal : epoxy

IZ series

Preliminary

Rear mounted sealed pushbutton switches - bushing Ø 16 - momentary

Overview



ABOUT THIS SERIES

On the following pages, you will find successively :
model structure of switches and options in the same order as in above chart

Dimensions : first dimensions are in mm while inches are shown as bracketted numbers.



NOTICE : please note that not all combinations of above numbers are available.
Refer to the following pages for further information.



Mounting accessories : Standard hardware supplied : 1 castellated black plastic nut U4249 and 1 silicone flat seal.



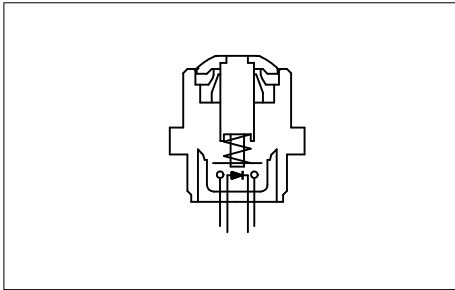
Packaging unit : 25 pieces for flying lead models - 40 pieces for other models

IZ series

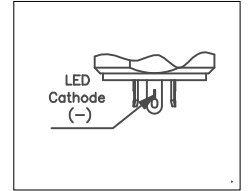
Preliminary

Rear mounted sealed pushbutton switches - bushing Ø 16 - momentary

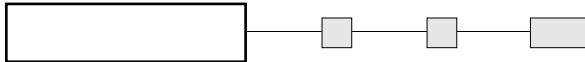
Illuminated



- Five LED colours
- Tin plated LED terminals
- Gold plated contacts



MODEL STRUCTURE




Plunger marking available on IZPP models (symbol 10 mm max.). On request.

Solder lug terminals



Curved actuator
IZPR3S4

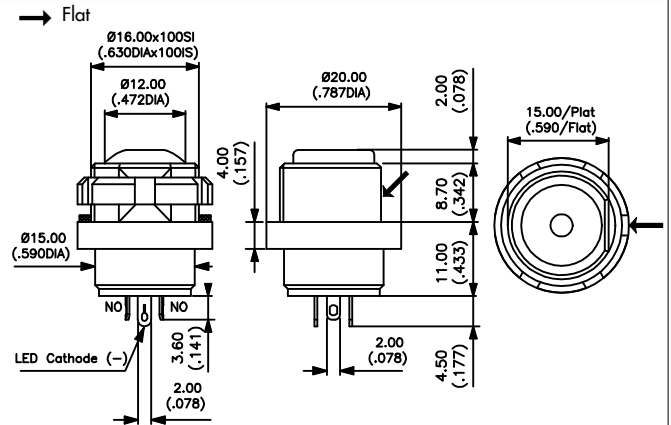


Normally Open

Flat actuator
IZPP3S4



Normally Open



Flying lead terminals - momentary



Curved actuator
IZPR3F4



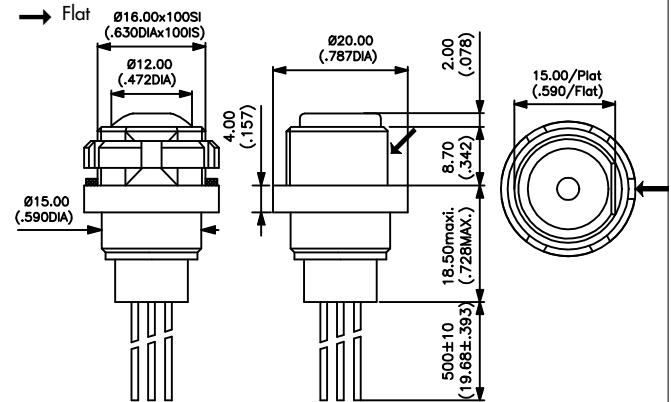
Normally Open

Flat actuator
IZPP3F4

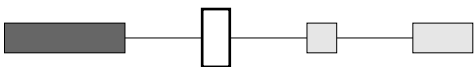


Normally Open

Wire colours : black : NO contact,
red : LED anode(+), blue : LED cathode (-)

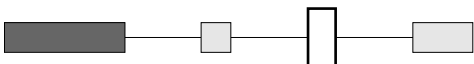


ACTUATOR COLOUR



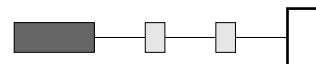
1 : blue - B : dark blue - 2 : black - 3 : green - 5 : yellow - 6 : red - 7 : white - 8 : bright chrome - 9 : orange
A : satin chrome

BUSHING AND BEZEL COLOUR



2 : black (standard)
Other : on request.

LED COLOUR



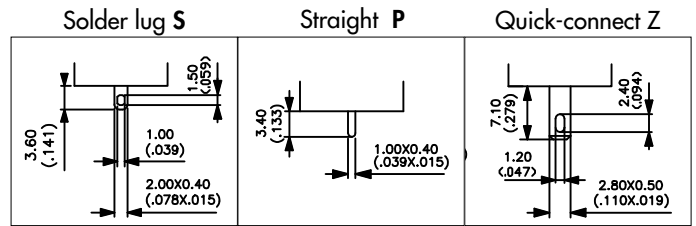
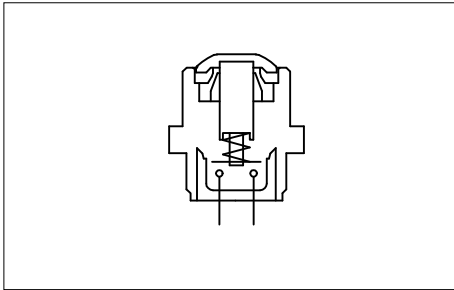
LOS : super red - LOY : yellow - LOG : green
LOB : blue - LOW : white

IZ series

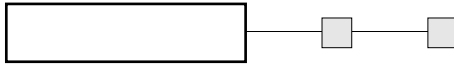
Preliminary

Rear mounted sealed pushbutton switches - bushing Ø 16 - momentary

Non-illuminated



MODEL STRUCTURE

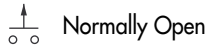


Plunger marking available on IZPP models (symbol 12 mm max.). On request.

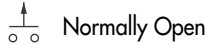
Solder lug terminals - gold plated contacts



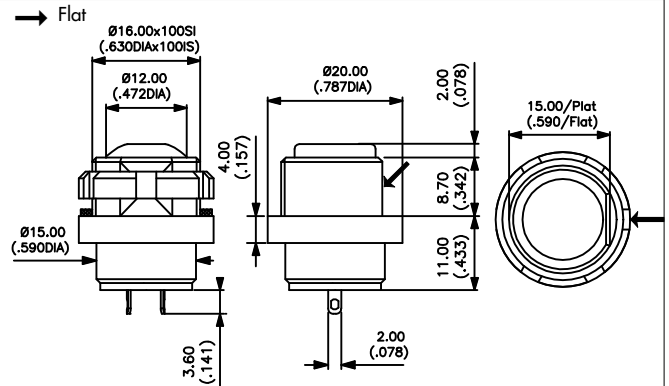
Curved actuator
IZPR3S4



Flat actuator
IZPP3S4



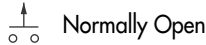
Also available with straight PC terminals :
IZP•3P4 and quick-connect terminals : **IZP•3Z4**.



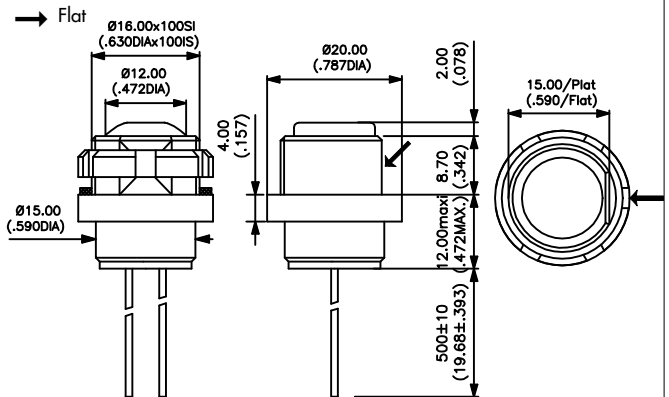
Sealed flying lead terminals - gold plated contacts



Curved actuator
IZPR3F4



Flat actuator
IZPP3F4



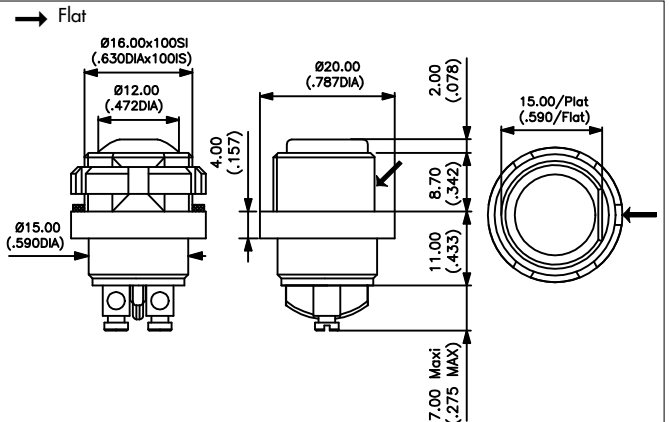
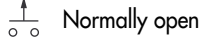
Screw terminals - silver contacts



Curved actuator
IZPR3V2



Flat actuator
IZPP3V2



Actuator colour and bushing/bezel colour : select the desired codes on previous page

IZ series

Preliminary

Rear mounted sealed pushbutton switches - bushing Ø 16 - latching action

Distinctive features and specifications



- Rear mounting for easier installation
- Latching action models
- Illuminated or non-illuminated
- Flat actuator for optional marking
- Sealed to IP67

ENVIRONMENTAL AND GENERAL SPECIFICATIONS

- Degree of protection : IP67
- Temperature range : -40°C to +85°C
- Total travel : 2,5 mm (.098)
- Mechanical life : 200.000 cycles

ELECTRICAL SPECIFICATIONS

- Max. current/voltage rating with resistive load : 100mA 24VDC - 200.000 cycles
- Initial contact resistance : 100 mΩ max.
- Insulation resistance : 1 GΩ min. at 500VDC
- Dielectric strength : 1.500 Vrms between terminals

LED COMPONENT SPECIFICATIONS

LED colour	Forward current	Typ. forward voltage	Max. forward voltage
Super red (LOS)	20mA	1,95V	1,95V
Yellow (LOY)	20mA	2V	2,05V
Green (LOG)	20mA	3,2V	3,70V
Blue (LOB)	20mA	3,2V	4V

A resistor must be series-connected by the user.

Resistor value = $\frac{\text{supply voltage} - \text{LED forward voltage}}{\text{LED forward current}}$

On flying lead versions, the LED resistor can be integrated by APEM on request.

MATERIALS

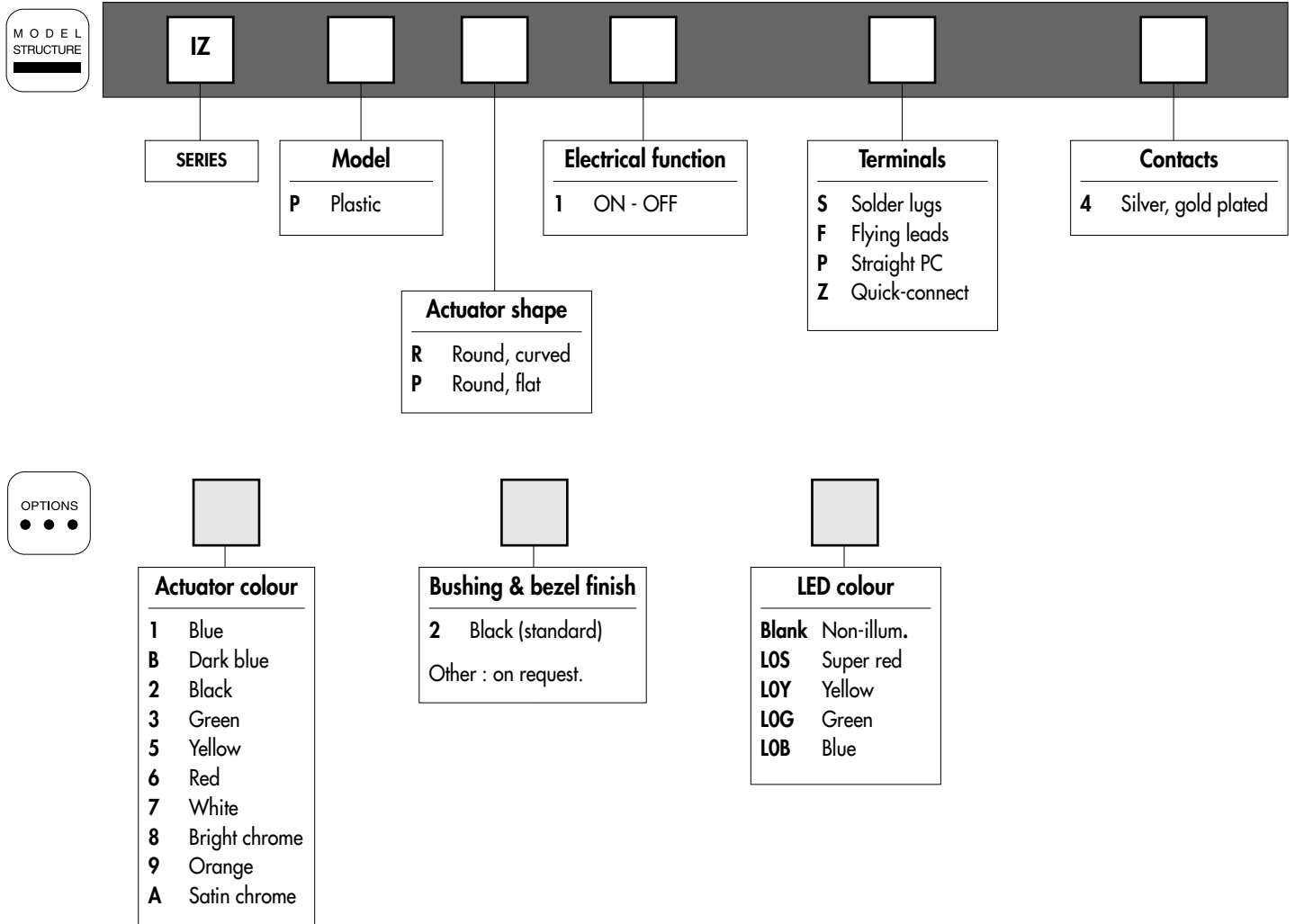
- Case : thermoplastic UL94-V0
- Plunger : polyamide
- Bushing/bezel : polyamide
- Contacts : silver, gold plated
- Multi-wire lead AWG20, section 0,6 mm²
- LED wire : AWG26, section 0,12 mm²
- Lens : polycarbonate
- Terminal seal : epoxy

IZ series

Preliminary

Rear mounted sealed pushbutton switches - bushing Ø 16 - latching action

Distinctive features and specifications



ABOUT THIS SERIES

On the following pages, you will find successively :
model structure of switches and options in the same order as in above chart

Dimensions : first dimensions are in mm while inches are shown as bracketted numbers.



NOTICE : please note that not all combinations of above numbers are available.
Refer to the following pages for further information.



Mounting accessories : Standard hardware supplied : 1 castellated black plastic nut U4249 and 1 silicone flat seal.



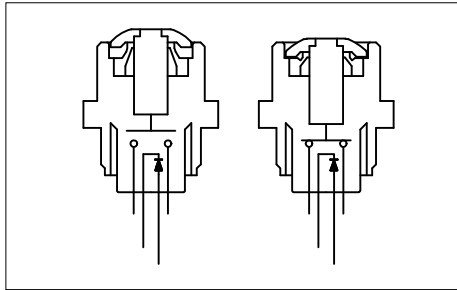
Packaging unit : 25 pieces for flying lead models - 40 pieces for other models

IZ series

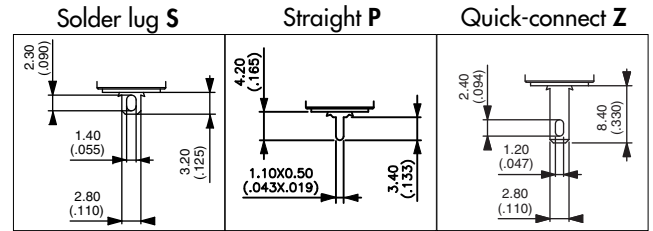
Preliminary

Rear mounted sealed pushbutton switches - bushing Ø 16 - latching action

Illuminated



- Four LED colours
- Tin plated LED terminals
- Gold plated contacts



MODEL STRUCTURE



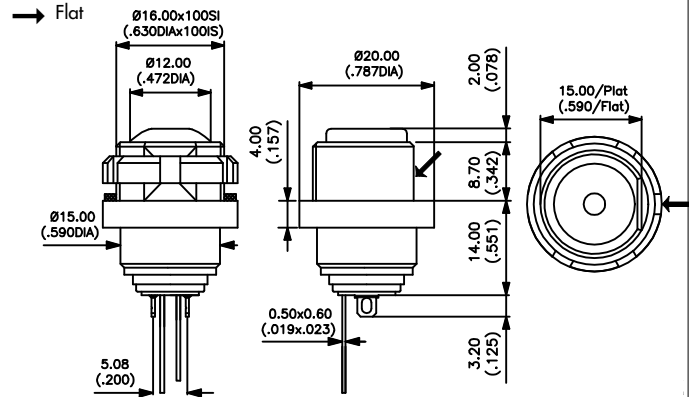
Plunger marking available on IZPP models (symbol 10 mm max.). On request.

Solder lug terminals



- Curved actuator **IZPR1S4** ON - OFF
- Flat actuator **IZPP1S4** ON - OFF

Also available with straight PC terminals : **IZP•1P4** and quick-connect terminals : **IZP•1Z4**.

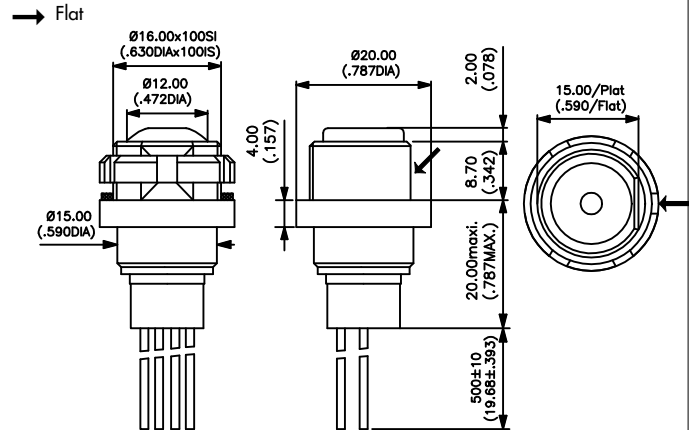


Sealed flying lead terminals

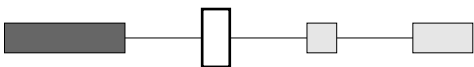


- Curved actuator **IZPR1F4** ON - OFF
- Flat actuator **IZPP1F4** ON - OFF

Wire colours : black : NO contact, red : LED anode(+), blue : LED cathode (-)

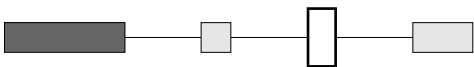


ACTUATOR COLOUR



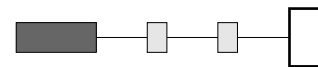
1 : blue - B : dark blue - 2 : black - 3 : green - 5 : yellow - 6 : red - 7 : white - 8 : bright chrome - 9 : orange
A : satin chrome

BUSHING AND BEZEL COLOUR



2 : black (standard)
Other : on request.

LED COLOUR



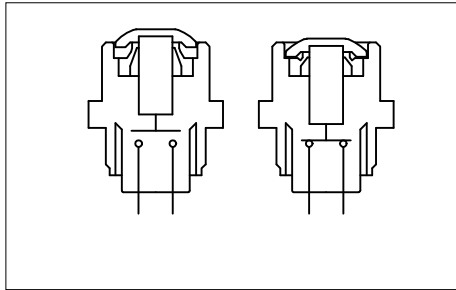
LOS : super red - LOY : yellow - LOG : green
LOB : blue

IZ series

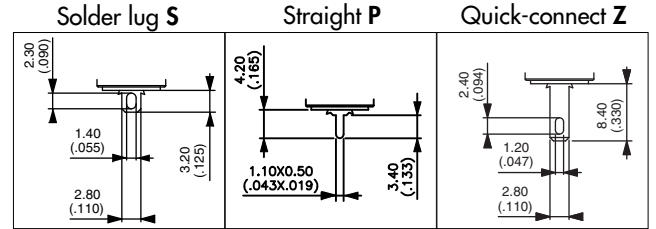
Preliminary

Rear mounted sealed pushbutton switches - bushing Ø 16 - latching action

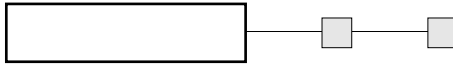
Non-illuminated



- Gold plated contacts



MODEL STRUCTURE



Plunger marking available on IZPP models (symbol 10 mm max.). On request.

Solder lug terminals



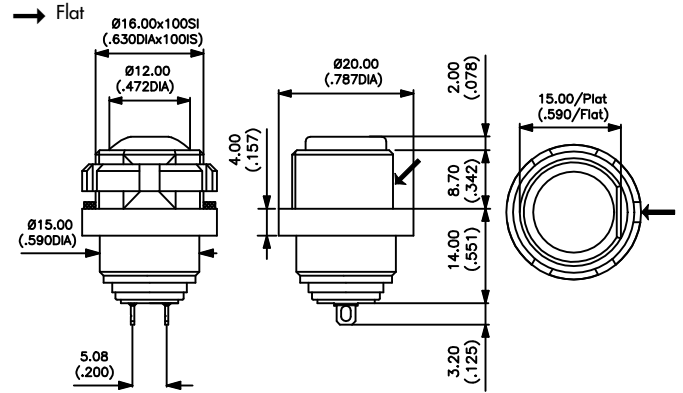
Curved actuator
IZPR1S4

ON - OFF

Flat actuator
IZPP1S4

ON - OFF

Also available with straight PC terminals :
IZP•1P4 and quick-connect terminals : **IZP•1Z4**.



Sealed flying lead terminals

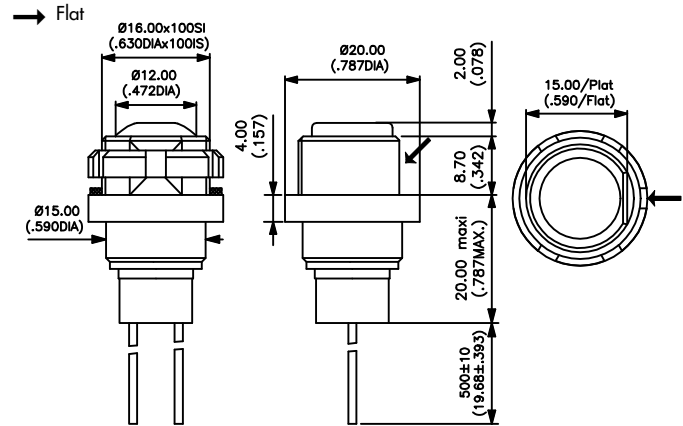


Curved actuator
IZPR1F4

ON - OFF

Flat actuator
IZPP1F4

ON - OFF

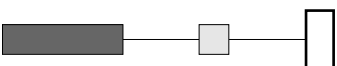


ACTUATOR COLOUR



1 : blue - B : dark blue - 2 : black - 3 : green - 5 : yellow - 6 : red - 7 : white - 8 : bright chrome - 9 : orange
A : satin chrome

BUSHING AND BEZEL COLOUR



2 : black (standard)
Other : on request.

金属按钮开关图片 Apem 开关图片 16mm 开孔 IZ 背面安装按钮开关图片 IP67 密封按钮开关
Apem 按钮开关型号 自锁按钮开关 自动复位按钮开关 进口按钮开关图片 apem 代理商
M16 按钮开关 防水按钮开关 www.omrons.com.cn www.tuizer.com 进口按钮开关说明书
pdf 按钮开关样本北京 apem 代理商深圳 apem 代理商无锡 apem 代理商天津 apem 代理商 IP67
Waterproof pushbutton switch model: 金属按钮开关型号: 防水按钮开关型号:
背面安装按钮开关型号:

IZNP1S42NLOY	IZNP1S42NLOY	IZNP1S42NLOS	IZNP1S42NLOS	IZNP1S42NLOG	IZNP1S42NLOG	IZNP1S42N
IZMP1S42NLOY	IZMP1S42NLOY	IZMP1S42NLOS	IZMP1S42NLOS	IZMP1S42NLOG	IZMP1S42NLOG	IZMP1S42N
IZNR1S42NLOY	IZNR1S42NLOY	IZNR1S42NLOS	IZNR1S42NLOS	IZNR1S42NLOG	IZNR1S42NLOG	IZNR1S42N
IZMR1S42NLOY	IZMR1S42NLOY	IZMR1S42NLOS	IZMR1S42NLOS	IZMR1S42NLOG	IZMR1S42NLOG	IZMR1S42N
IZNP1S43NLOY	IZNP1S43NLOY	IZNP1S43NLOS	IZNP1S43NLOS	IZNP1S43NLOG	IZNP1S43NLOG	IZNP1S43N
IZMP1S43NLOY	IZMP1S43NLOY	IZMP1S43NLOS	IZMP1S43NLOS	IZMP1S43NLOG	IZMP1S43NLOG	IZMP1S43N
IZNR1S43NLOY	IZNR1S43NLOY	IZNR1S43NLOS	IZNR1S43NLOS	IZNR1S43NLOG	IZNR1S43NLOG	IZNR1S43N
IZMR1S43NLOY	IZMR1S43NLOY	IZMR1S43NLOS	IZMR1S43NLOS	IZMR1S43NLOG	IZMR1S43NLOG	IZMR1S43N
IZNP1S45NLOY	IZNP1S45NLOY	IZNP1S45NLOS	IZNP1S45NLOS	IZNP1S45NLOG	IZNP1S45NLOG	IZNP1S45N
IZMP1S45NLOY	IZMP1S45NLOY	IZMP1S45NLOS	IZMP1S45NLOS	IZMP1S45NLOG	IZMP1S45NLOG	IZMP1S45N
IZNR1S45NLOY	IZNR1S45NLOY	IZNR1S45NLOS	IZNR1S45NLOS	IZNR1S45NLOG	IZNR1S45NLOG	IZNR1S45N
IZMR1S45NLOY	IZMR1S45NLOY	IZMR1S45NLOS	IZMR1S45NLOS	IZMR1S45NLOG	IZMR1S45NLOG	IZMR1S45N
IZNP1S46NLOY	IZNP1S46NLOY	IZNP1S46NLOS	IZNP1S46NLOS	IZNP1S46NLOG	IZNP1S46NLOG	IZNP1S46N
IZMP1S46NLOY	IZMP1S46NLOY	IZMP1S46NLOS	IZMP1S46NLOS	IZMP1S46NLOG	IZMP1S46NLOG	IZMP1S46N
IZNR1S46NLOY	IZNR1S46NLOY	IZNR1S46NLOS	IZNR1S46NLOS	IZNR1S46NLOG	IZNR1S46NLOG	IZNR1S46N
IZMR1S46NLOY	IZMR1S46NLOY	IZMR1S46NLOS	IZMR1S46NLOS	IZMR1S46NLOG	IZMR1S46NLOG	IZMR1S46N
IZNP1S47NLOY	IZNP1S47NLOY	IZNP1S47NLOS	IZNP1S47NLOS	IZNP1S47NLOG	IZNP1S47NLOG	IZNP1S47N
IZMP1S47NLOY	IZMP1S47NLOY	IZMP1S47NLOS	IZMP1S47NLOS	IZMP1S47NLOG	IZMP1S47NLOG	IZMP1S47N
IZNR1S47NLOY	IZNR1S47NLOY	IZNR1S47NLOS	IZNR1S47NLOS	IZNR1S47NLOG	IZNR1S47NLOG	IZNR1S47N
IZMR1S47NLOY	IZMR1S47NLOY	IZMR1S47NLOS	IZMR1S47NLOS	IZMR1S47NLOG	IZMR1S47NLOG	IZMR1S47N
IZNP1S48NLOY	IZNP1S48NLOY	IZNP1S48NLOS	IZNP1S48NLOS	IZNP1S48NLOG	IZNP1S48NLOG	IZNP1S48N
IZMP1S48NLOY	IZMP1S48NLOY	IZMP1S48NLOS	IZMP1S48NLOS	IZMP1S48NLOG	IZMP1S48NLOG	IZMP1S48N
IZNR1S48NLOY	IZNR1S48NLOY	IZNR1S48NLOS	IZNR1S48NLOS	IZNR1S48NLOG	IZNR1S48NLOG	IZNR1S48N
IZMR1S48NLOY	IZMR1S48NLOY	IZMR1S48NLOS	IZMR1S48NLOS	IZMR1S48NLOG	IZMR1S48NLOG	IZMR1S48N
IZNR3F42NLOS	IZNR3F42NLOS	IZNR3F42NLOY	IZNR3F42NLOY	IZNR3F42NLOG	IZNR3F42NLOG	IZNR3F42N
IZMR3F42NLOS	IZMR3F42NLOS	IZMR3F42NLOY	IZMR3F42NLOY	IZMR3F42NLOG	IZMR3F42NLOG	IZMR3F42N
IZNP3F42NLOS	IZNP3F42NLOS	IZNP3F42NLOY	IZNP3F42NLOY	IZNP3F42NLOG	IZNP3F42NLOG	IZNP3F42N
IZMP3F42NLOS	IZMP3F42NLOS	IZMP3F42NLOY	IZMP3F42NLOY	IZMP3F42NLOG	IZMP3F42NLOG	IZMP3F42N
IZNR3S42NLOS	IZNR3S42NLOS	IZNR3S42NLOY	IZNR3S42NLOY	IZNR3S42NLOG	IZNR3S42NLOG	IZNR3S42N
IZMR3S42NLOS	IZMR3S42NLOS	IZMR3S42NLOY	IZMR3S42NLOY	IZMR3S42NLOG	IZMR3S42NLOG	IZMR3S42N
IZNP3S42NLOS	IZNP3S42NLOS	IZNP3S42NLOY	IZNP3S42NLOY	IZNP3S42NLOG	IZNP3S42NLOG	IZNP3S42N
IZMP3S42NLOS	IZMP3S42NLOS	IZMP3S42NLOY	IZMP3S42NLOY	IZMP3S42NLOG	IZMP3S42NLOG	IZMP3S42N
IZNR3F43NLOS	IZNR3F43NLOS	IZNR3F43NLOY	IZNR3F43NLOY	IZNR3F43NLOG	IZNR3F43NLOG	IZNR3F43N
IZMR3F43NLOS	IZMR3F43NLOS	IZMR3F43NLOY	IZMR3F43NLOY	IZMR3F43NLOG	IZMR3F43NLOG	IZMR3F43N
IZNP3F43NLOS	IZNP3F43NLOS	IZNP3F43NLOY	IZNP3F43NLOY	IZNP3F43NLOG	IZNP3F43NLOG	IZNP3F43N
IZMP3F43NLOS	IZMP3F43NLOS	IZMP3F43NLOY	IZMP3F43NLOY	IZMP3F43NLOG	IZMP3F43NLOG	IZMP3F43N
IZNR3S43NLOS	IZNR3S43NLOS	IZNR3S43NLOY	IZNR3S43NLOY	IZNR3S43NLOG	IZNR3S43NLOG	IZNR3S43N

IZMR3S43NLOS	IZMR3S43NLOS	IZMR3S43NLOY	IZMR3S43NLOY	IZMR3S43NLOG	IZMR3S43NLOG	IZMR3S43N
IZNP3S43NLOS	IZNP3S43NLOS	IZNP3S43NLOY	IZNP3S43NLOY	IZNP3S43NLOG	IZNP3S43NLOG	IZNP3S43N
IZMP3S43NLOS	IZMP3S43NLOS	IZMP3S43NLOY	IZMP3S43NLOY	IZMP3S43NLOG	IZMP3S43NLOG	IZMP3S43N
IZNR3F46NLOS	IZNR3F46NLOS	IZNR3F46NLOY	IZNR3F46NLOY	IZNR3F46NLOG	IZNR3F46NLOG	IZNR3F46N
IZMR3F46NLOS	IZMR3F46NLOS	IZMR3F46NLOY	IZMR3F46NLOY	IZMR3F46NLOG	IZMR3F46NLOG	IZMR3F46N
IZNP3F46NLOS	IZNP3F46NLOS	IZNP3F46NLOY	IZNP3F46NLOY	IZNP3F46NLOG	IZNP3F46NLOG	IZNP3F46N
IZMP3F46NLOS	IZMP3F46NLOS	IZMP3F46NLOY	IZMP3F46NLOY	IZMP3F46NLOG	IZMP3F46NLOG	IZMP3F46N
IZNR3S46NLOS	IZNR3S46NLOS	IZNR3S46NLOY	IZNR3S46NLOY	IZNR3S46NLOG	IZNR3S46NLOG	IZNR3S46N
IZMR3S46NLOS	IZMR3S46NLOS	IZMR3S46NLOY	IZMR3S46NLOY	IZMR3S46NLOG	IZMR3S46NLOG	IZMR3S46N
IZNP3S46NLOS	IZNP3S46NLOS	IZNP3S46NLOY	IZNP3S46NLOY	IZNP3S46NLOG	IZNP3S46NLOG	IZNP3S46N
IZMP3S46NLOS	IZMP3S46NLOS	IZMP3S46NLOY	IZMP3S46NLOY	IZMP3S46NLOG	IZMP3S46NLOG	IZMP3S46N
IZNR3F47NLOS	IZNR3F47NLOS	IZNR3F47NLOY	IZNR3F47NLOY	IZNR3F47NLOG	IZNR3F47NLOG	IZNR3F47N
IZMR3F47NLOS	IZMR3F47NLOS	IZMR3F47NLOY	IZMR3F47NLOY	IZMR3F47NLOG	IZMR3F47NLOG	IZMR3F47N
IZNP3F47NLOS	IZNP3F47NLOS	IZNP3F47NLOY	IZNP3F47NLOY	IZNP3F47NLOG	IZNP3F47NLOG	IZNP3F47N
IZMP3F47NLOS	IZMP3F47NLOS	IZMP3F47NLOY	IZMP3F47NLOY	IZMP3F47NLOG	IZMP3F47NLOG	IZMP3F47N
IZNR3S47NLOS	IZNR3S47NLOS	IZNR3S47NLOY	IZNR3S47NLOY	IZNR3S47NLOG	IZNR3S47NLOG	IZNR3S47N
IZMR3S47NLOS	IZMR3S47NLOS	IZMR3S47NLOY	IZMR3S47NLOY	IZMR3S47NLOG	IZMR3S47NLOG	IZMR3S47N
IZNP3S47NLOS	IZNP3S47NLOS	IZNP3S47NLOY	IZNP3S47NLOY	IZNP3S47NLOG	IZNP3S47NLOG	IZNP3S47N
IZMP3S47NLOS	IZMP3S47NLOS	IZMP3S47NLOY	IZMP3S47NLOY	IZMP3S47NLOG	IZMP3S47NLOG	IZMP3S47N

全国统一热线 4006-022-002