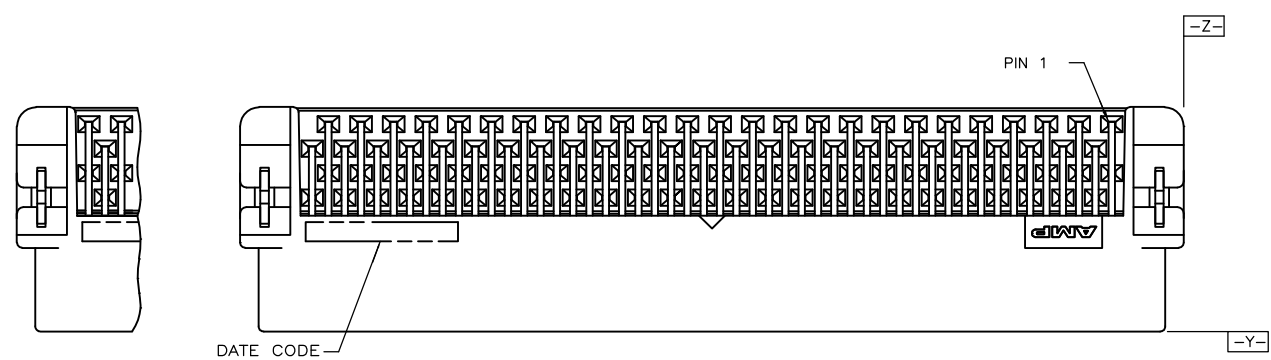


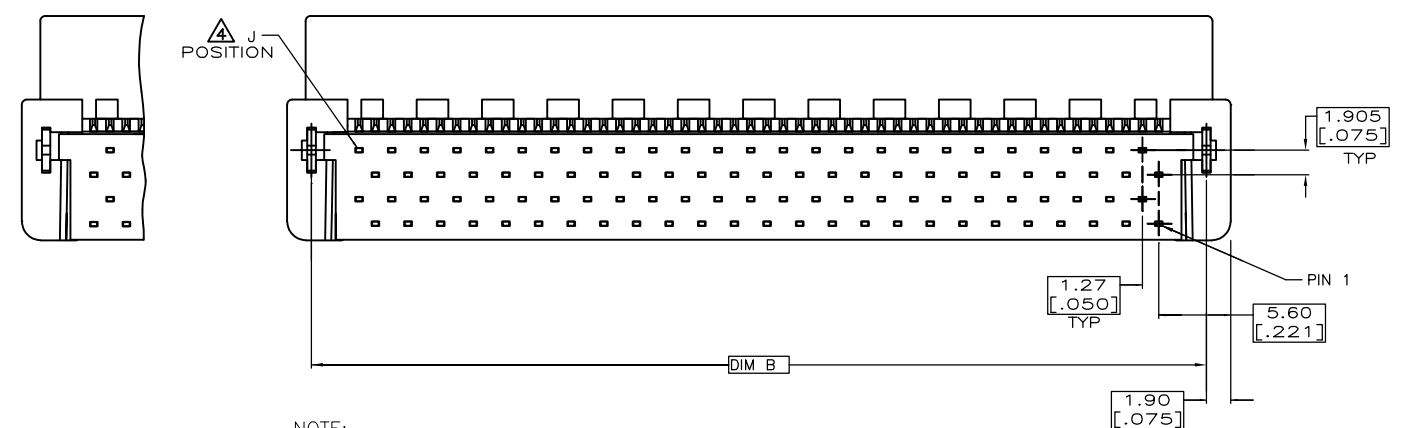
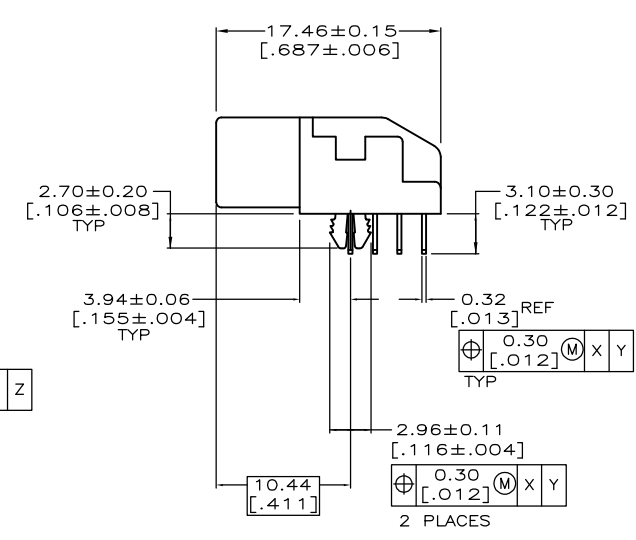
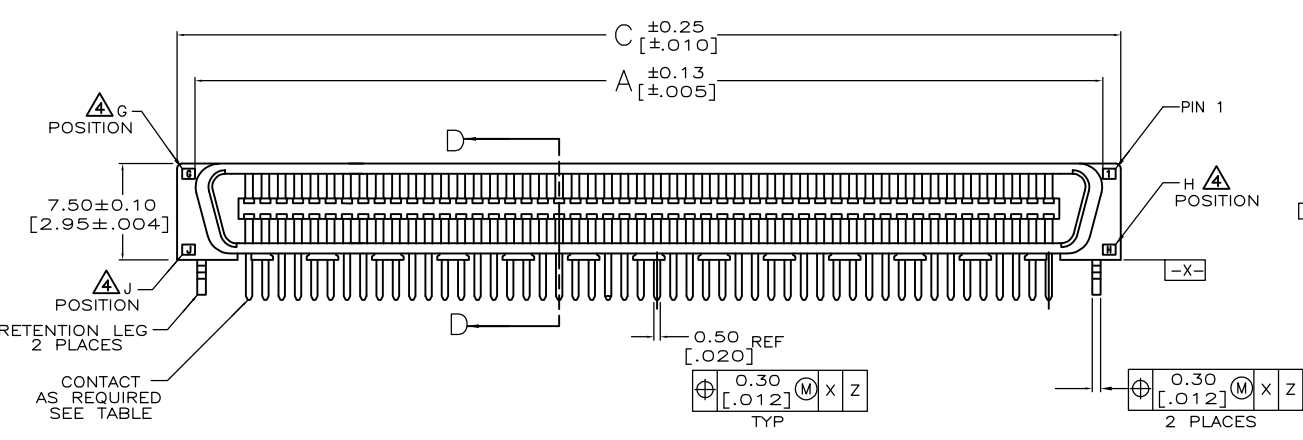
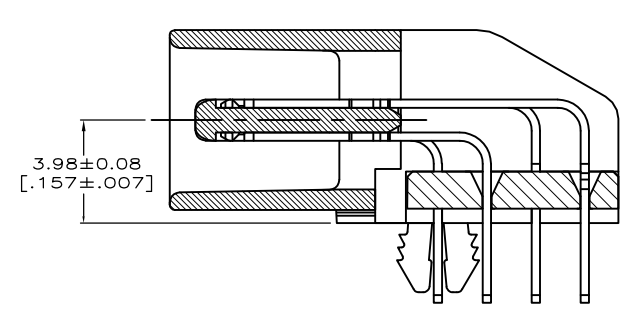
THIS DRAWING IS UNPUBLISHED. RELEASED FOR PUBLICATION
 © COPYRIGHT - By - ALL RIGHTS RESERVED.

LOC		DIST		REVISIONS					
DW				P	LTR	DESCRIPTION	DATE	DWN	APVD
					E1	REVISED. ECR-12-013026	22MAR13	K.M	E.T



FOR 50 AND 130 POSITIONS ONLY

FOR 40, 60, 68, 80, 100, 120, 140, 160, 180 AND 200 POSITIONS ONLY



NOTE:
 1. MATERIAL:
 HOUSING: LCP, UL 94V-0, BLACK COLOR.
 CONTACTS: PHOSPHOR BRONZE.
 BOARDLOCKS: BRASS.
 2. FINISH:
 CONTACTS: (SEE TABLE) GOLD PLATED ON CONTACT AREA,
 3.81µm [150µ"] MIN. MATTE-TIN ON SOLDERTAIL, OVER
 1.27µm [50µ"] MIN. NICKEL UNDERPLATED.
 BOARDLOCKS: 3.81µm [150µ"] MIN. TIN-Cu OVER
 1.27µm [50µ"] MIN. UNDERPLATED.
 3. WAVE SOLDER CAPABLE TO 265°C PER TEST SPEC.
 109-202, CONDITION B.
 G, J, H INDICATE NUMBER OF POSITION MARKED ON ASSEMBLY.
 ALSO SEE TABLE.
 GOLD FLASH OVER
 0.762µm [30µ"] MIN. PALLADIUM-NICKEL PLATED.

E1	OBSOLETE	DIMENSIONS (mm)			SIZE	CAGE CODE	DRAWING NO	RESTRICTED TO
		C	B	A				
		136.93 [5.891]	133.13 [5.241]	134.07 [5.278]	100	200	101	
								GOLD FLASH
								5-1734099-8
								0.381µm[15µ"]
								3-1734099-8
								1-1734099-8
								GOLD FLASH
								5-1734099-6
								0.381µm[15µ"]
								3-1734099-6
								1-1734099-6
								GOLD FLASH
								5-1734099-4
								0.381µm[15µ"]
								3-1734099-4
								1-1734099-4
								GOLD FLASH
								5-1734099-2
								0.381µm[15µ"]
								3-1734099-2
								1-1734099-2
								GOLD FLASH
								5-1734099-0
								0.381µm[15µ"]
								3-1734099-0
								1-1734099-0
								GOLD FLASH
								5-1734099-8
								0.381µm[15µ"]
								2-1734099-8
								1734099-8
								GOLD FLASH
								4-1734099-7
								0.381µm[15µ"]
								2-1734099-7
								1734099-7
								GOLD FLASH
								4-1734099-6
								0.381µm[15µ"]
								2-1734099-6
								1734099-6
								GOLD FLASH
								4-1734099-5
								0.381µm[15µ"]
								2-1734099-5
								1734099-5
								GOLD FLASH
								4-1734099-4
								0.381µm[15µ"]
								2-1734099-4
								1734099-4
								GOLD PLATED
								PART NUMBER
								POS.

THIS DRAWING IS A CONTROLLED DOCUMENT.

DWN F. YANG 31MAR2009
 CHK S. CHIEN 31MAR2009
 APVD W. KODAMA 31MAR2009

NAME: PLUG ASSEMBLY, R/A, BTB, CHAMP .050, SERIES I

PRODUCT SPEC: 108-57876

APPLICATION SPEC: -

WEIGHT: -

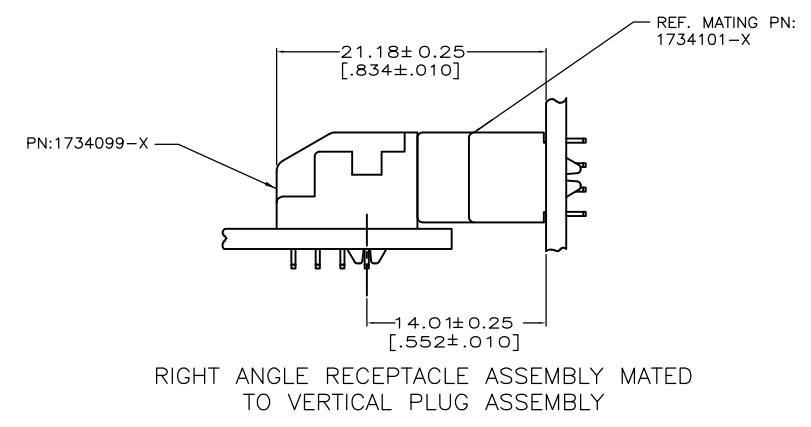
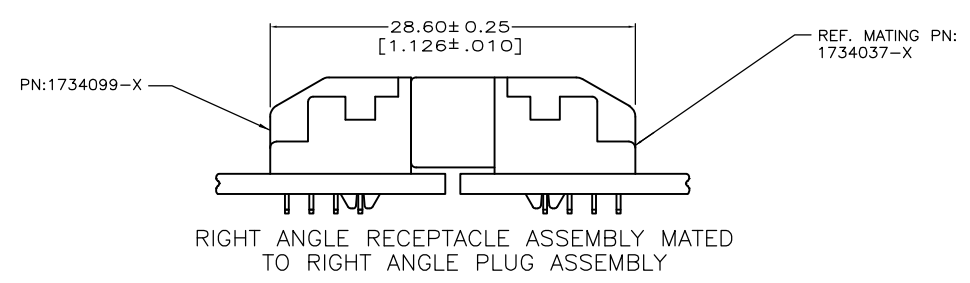
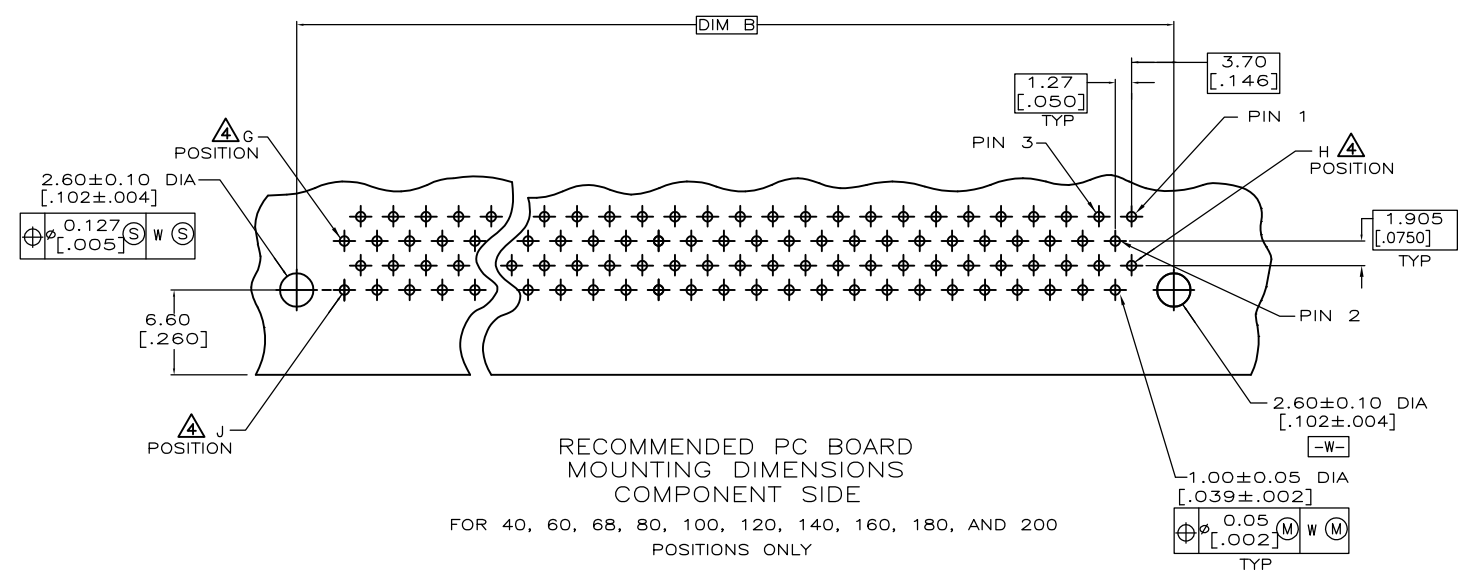
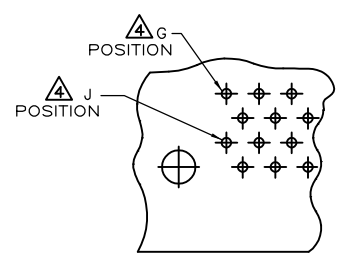
SIZE: A3 CAGE CODE: 00779 DRAWING NO: C-1734099

RESTRICTED TO: -

CUSTOMER DRAWING SCALE: - SHEET: 1 OF 4 REV: E1

THIS DRAWING IS UNPUBLISHED. RELEASED FOR PUBLICATION
 © COPYRIGHT - By - ALL RIGHTS RESERVED.

LOC	DIST	REVISIONS			
P	LTR	DESCRIPTION	DATE	DWN	APVD
		SEE SHEET 1	-	-	-



THIS DRAWING IS A CONTROLLED DOCUMENT.		DWN	TE Connectivity PLUG ASSEMBLY, R/A, BTB, CHAMP .050, SERIES I				
DIMENSIONS: mm		CHK				NAME	
		APVD				SIZE	
TOLERANCES UNLESS OTHERWISE SPECIFIED: 0 PLC ± - 1 PLC ± - 2 PLC ± - 3 PLC ± - 4 PLC ± - ANGLES ± - MATERIAL FINISH		PRODUCT SPEC				CAGE CODE	DRAWING NO
MATERIAL		APPLICATION SPEC	WEIGHT	RESTRICTED TO			
		CUSTOMER DRAWING	SCALE	SHEET	REV		

THIS DRAWING IS UNPUBLISHED.

RELEASED FOR PUBLICATION

© COPYRIGHT - By -

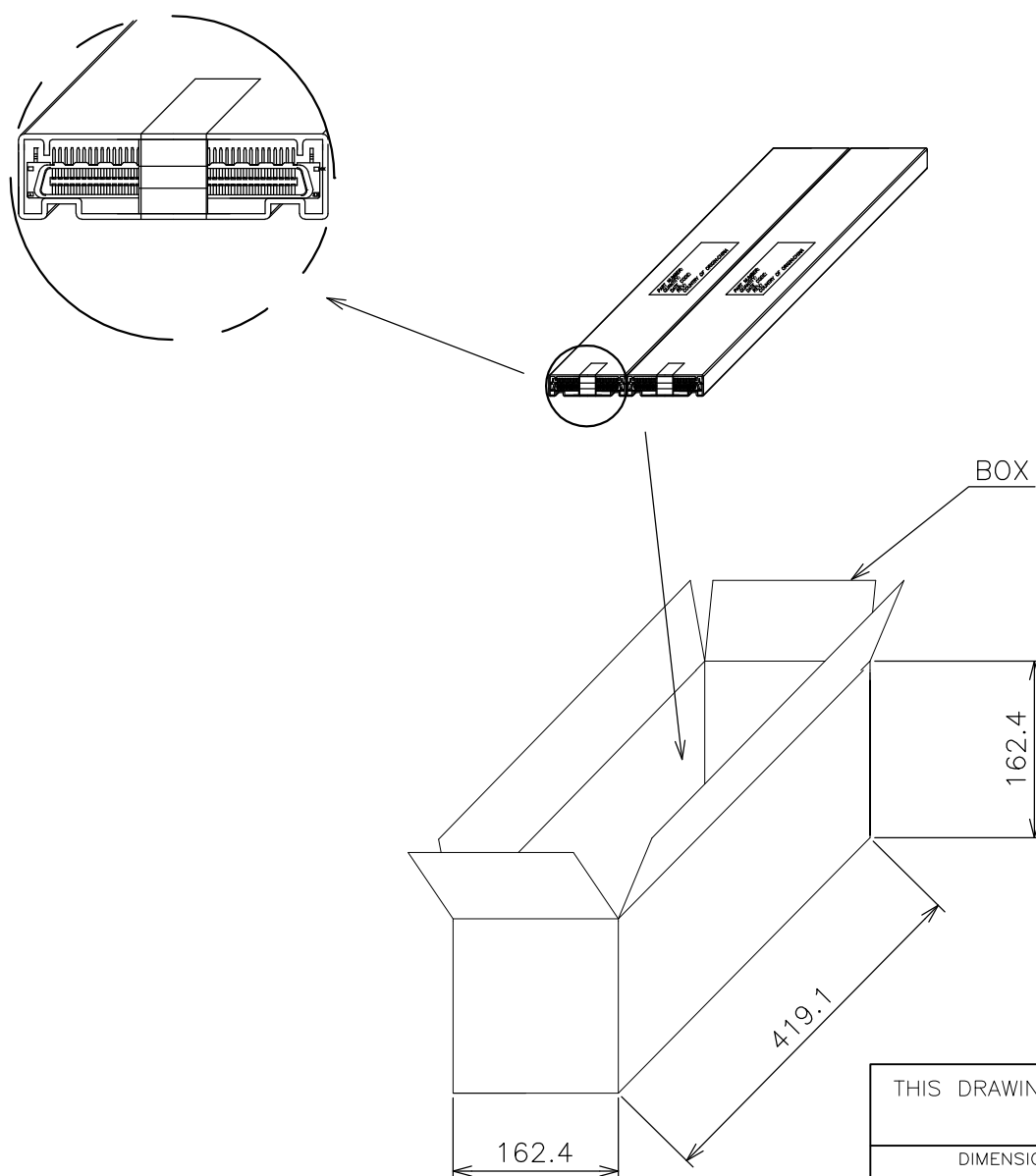
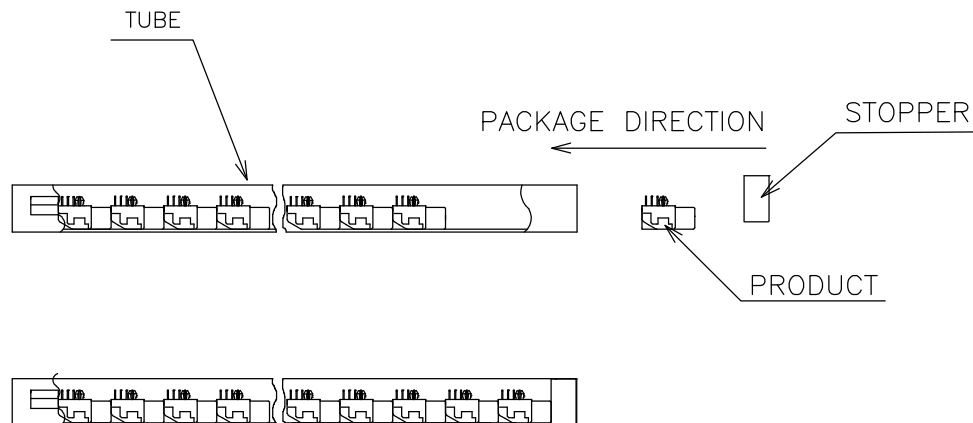
ALL RIGHTS RESERVED.

LOC
DW

DIST
-

REVISIONS

P	LTR	DESCRIPTION	DATE	DWN	APVD
-	-	SEE SHEET 1	-	-	-



POS.	Q'TY/ TUBE	TUBE/ BOX	Q'TY/ BOX	N/W (KG)	G/W (KG)	PART NUMBER
100	21	16	336	2.60	3.44	5-1734099-0 3-1734099-0 1-1734099-0
80	21	16	336	2.15	3.00	4-1734099-8 2-1734099-8 1734099-8

THIS DRAWING IS A CONTROLLED DOCUMENT.		DWN	-			
DIMENSIONS: mm		CHK	-			
TOLERANCES UNLESS OTHERWISE SPECIFIED:		APVD	-			
0 PLC ± -		PRODUCT SPEC	-			
1 PLC ± -		APPLICATION SPEC	-			
2 PLC ± -		WEIGHT	-			
3 PLC ± -		TE Connectivity				
4 PLC ± -		PLUG ASSEMBLY, R/A, BTB, CHAMP .050, SERIES I				
ANGLES ± -		SIZE	CAGE CODE	DRAWING NO	RESTRICTED TO	
FINISH		A3 00779		C-1734099	-	
MATERIAL		CUSTOMER DRAWING			SCALE	SHEET
					-	3 of 4
					REV	E1

THIS DRAWING IS UNPUBLISHED.

RELEASED FOR PUBLICATION

ALL RIGHTS RESERVED.

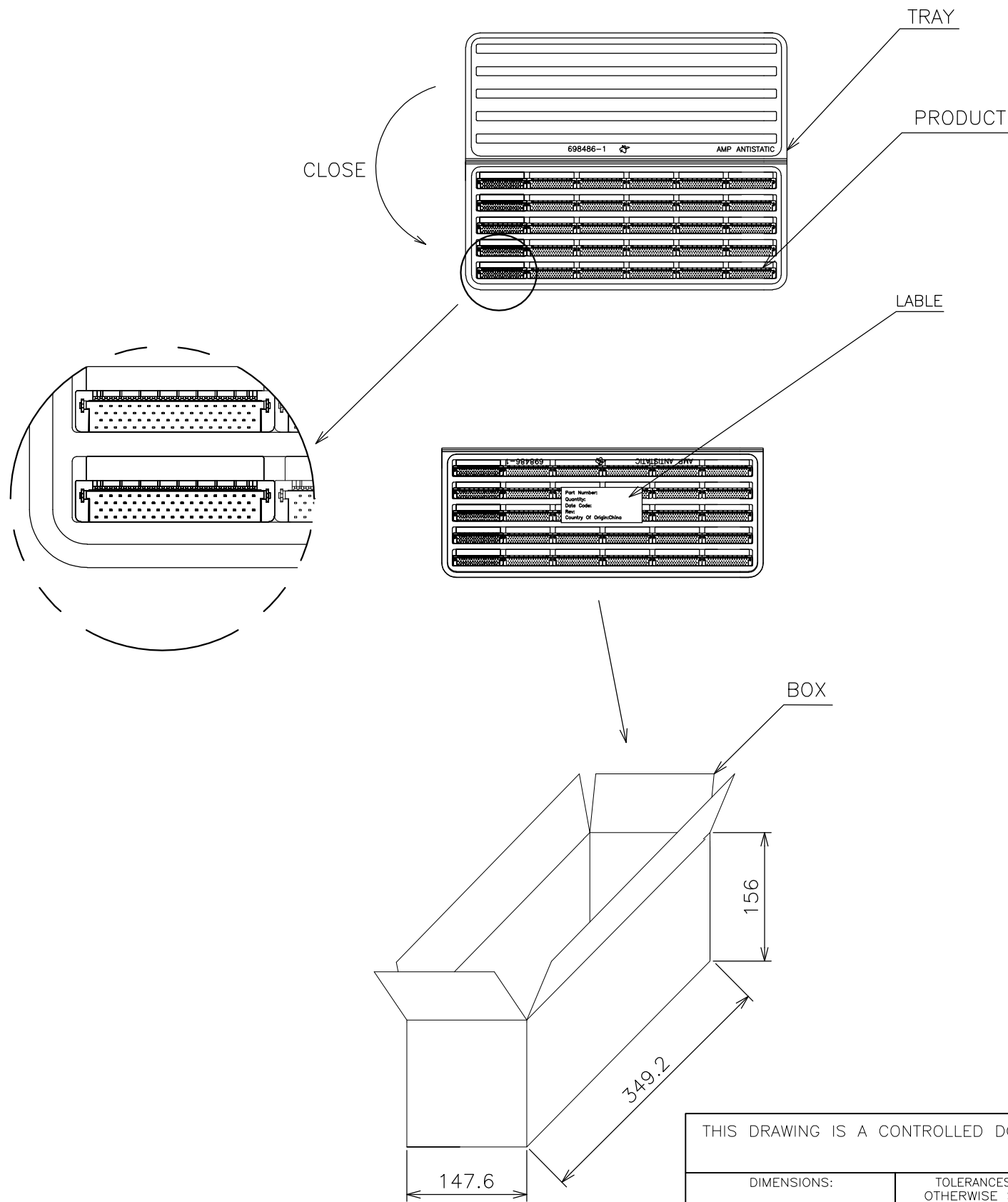
© COPYRIGHT - By -

LOC
DW

DIST
/

REVISIONS

P	LTR	DESCRIPTION	DATE	DWN	APVD
-	-	SEE SHEET 1	-	-	-



POS.	Q'TY/ TRAY	TRAY/ BOX	Q'TY/ BOX	N/W (KG)	G/W (KG)	PART NUMBER
E1	200	10	10	1.40	2.35	5-1734099-8
						3-1734099-8
						1-1734099-8
E1	160	10	100	1.18	2.13	5-1734099-6
						3-1734099-6
						1-1734099-6
E1	140	15	10	1.59	2.46	5-1734099-4
						3-1734099-4
						1-1734099-4
E1	120	15	10	1.20	2.15	5-1734099-2
						3-1734099-2
						1-1734099-2
E1	68	30	10	1.69	2.64	4-1734099-7
						2-1734099-7
						1734099-7
E1	60	30	10	1.53	2.48	4-1734099-6
						2-1734099-6
						1734099-6
E1	50	35	10	1.58	2.56	4-1734099-5
						2-1734099-5
						1734099-5
E1	40	45	10	1.71	2.66	4-1734099-4
						2-1734099-4
						1734099-4

THIS DRAWING IS A CONTROLLED DOCUMENT.

DIMENSIONS: mm	TOLERANCES UNLESS OTHERWISE SPECIFIED: 0 PLC ± - 1 PLC ± - 2 PLC ± - 3 PLC ± - 4 PLC ± - ANGLES ± -	DWN CHK APVD PRODUCT SPEC APPLICATION SPEC WEIGHT	NAME PLUG ASSEMBLY, R/A, BTB, CHAMP .050, SERIES I
MATERIAL	FINISH	SIZE CAGE CODE DRAWING NO	RESTRICTED TO

STE TE Connectivity

A3 00779 C-1734099

CUSTOMER DRAWING SCALE - SHEET 4 OF 4 REV E1