

250 N



## AIM OF THE EXCITERS

The aim of the exciters is to transform the current produced by an amplifier into a proportional constant force which, applied on appropriated points of a structure, sends a vibratory movement to this structure.

## MAIN FEATURES

The magnetic circuit of permanent magnets generates a magnetic field in which the moving coil is guided. The transverse movement is limited by the central guidance system.

The exciter type EX 220 C40 includes a fan directly powered by the power amplifier to insure the cooling of the moving coil.

A multicoloured luminous scale allows, at any time, the visualisation of the moving coil median position in the magnetic circuit when connecting the exciter to the structure and the indication of the movement amplitude. This visualisation is repeated on the front panel of the associated amplifier.

## APPLICATIONS

The exciter type EX 220 C40 is especially designed for most high performance modal tests thanks to its volume, its weight and its technical features. Associated with an amplifier A 648 S (400 Watt), this exciter supplies a force of 200 N and an acceleration without load of about  $650 \text{ m/s}^2$ , with a harmonic distortion less than 1% in a frequency range between DC and 2,700 Hz.

# TECHNICAL FEATURES

Nominal force	250 N $\pm$ 10%
Maximum current with ventilation	20 A. peak
Maximum current without ventilation	10 A. peak
Nominal displacement	$\pm$ 20 mm
Maximum mechanical displacement	$\pm$ 22 mm
Force/current linearity	> 0.5%
Variation of the force according to the coil position in the air gap	at 50% of the stroke : < 1.5% at 75 of the stroke : < 4%
Maximum resistance of the connection cable	0.1 Ohm
Associated amplifier	A 648 S (400 W)
Magnetic circuit	Permanent magnets
Cooling	By included fan 220 V 50/60 Hz
Electrical connection	Souriau socket 840.43.132 and Cannon DE 9P
Mechanical connection	Threaded rod M6
Total weight	25 kg

	<b>ALUMINIUM COIL</b>
Force factor	12.8 N/A
Coil resistance at 20°C	1.23 O
Armature weight	~ 375 grams
Suspension stiffness	None

## OPTIONAL ACCESSORIES:

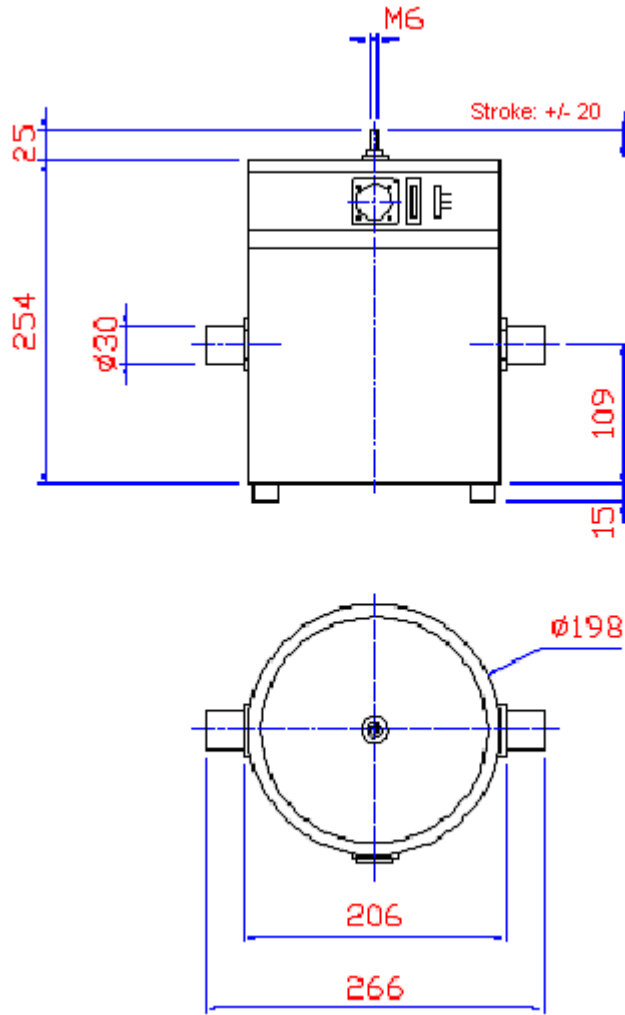
Connection cable reference CL 220 in lengths of 5, 10, 20 and 30 meters  
 Position cable reference CLD-220 in lengths of 5, 10, 20 and 30 meters  
 Mechanical link reference L 25  
 Adjustable link reference LA 25;  
 Disks for mechanical links reference D-220  
 Trunnion reference BF 220  
 Linear elastic cord suspension system reference S 220 L; linear elastic cord suspension system for shaker with trunnion reference S 220 BL;  
 Seismic support reference SS 331

[www.haopute.com](http://www.haopute.com)  
 email:info@haopute.com  
 phone:02884625157  
 mobile:18982185717



**PRODERA**

# DIMENSIONS



EX 220 C40 EXCITER

250 N

Dimensions in mm

---

www.haopute.com  
email:info@haopute.com  
phone:02884625157  
mobile:18982185717



PRODERA