

75 N



## AIM OF THE EXCITERS

The aim of the exciters is to transform the current produced by an amplifier into a proportional constant force which, applied on appropriated points of a structure, sends a vibratory movement to this structure.

## MAIN FEATURES

The magnetic circuit of high performance magnets generates a magnetic field in which the moving coil is guided. The transverse movement is limited by the central guidance system.

## APPLICATIONS

The exciter type EX 58 C40 is especially designed for most high performance modal tests thanks to its volume, its weight and its technical features. Associated with an amplifier A 735 (120 Watt), this exciter supplies a force of 75 N with an harmonic distortion less than 1% in a frequency range between DC and 2,700 Hz.

## TECHNICAL FEATURES

Nominal force	75 N $\pm$ 10%
Maximum current with ventilation	20 A. peak
Nominal displacement	$\pm$ 20 mm
Maximum mechanical displacement	$\pm$ 22 mm
Force/current linearity	$>$ 0.5%
Variation of the force according to the coil position in the air gap	at 50% of the stroke : $<$ 1.5% at 75% of the stroke : $<$ 4%
Maximum resistance of the connection cable	0.1 Ohm
Associated amplifier	A 735 (120 W)
Magnetic circuit	Permanent magnet
Cooling	By convection
Electrical connection	Cannon socket 127039-0017
Mechanical connection	Threaded rod M6
Total weight	10 kg

	<b>COPPER COIL (STANDARD)</b>
Force factor	9.6 N/A
Coil resistance at 20°C	1.1 $\Omega$
Armature weight	235 grams
Suspension stiffness	None

### OPTIONAL ACCESSORIES:

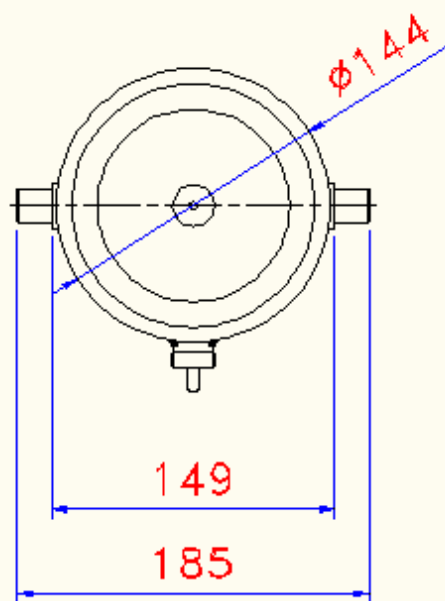
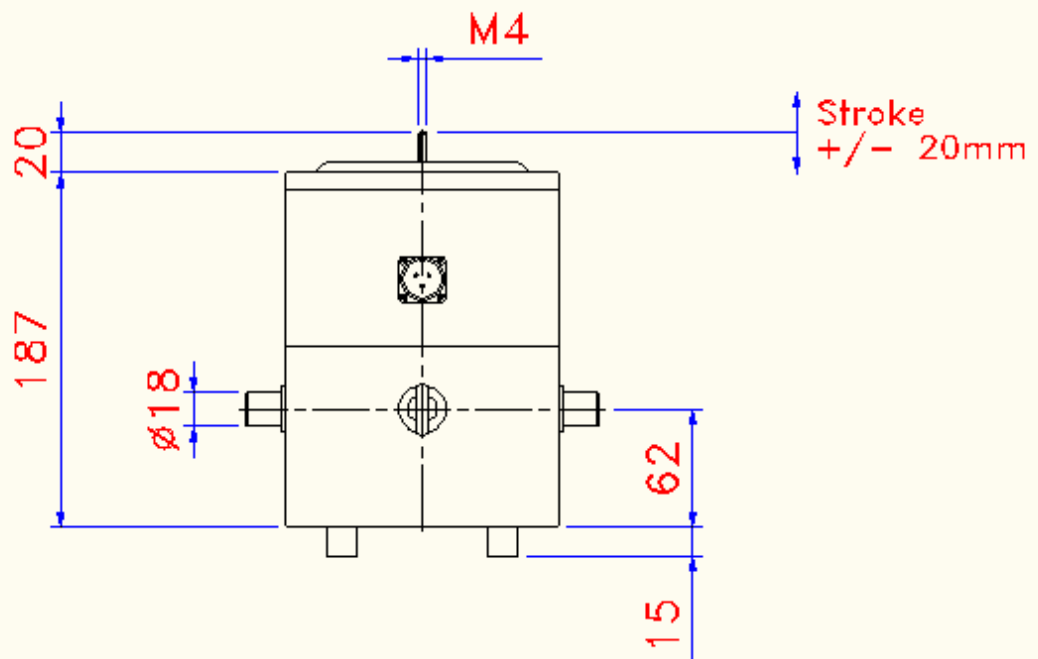
- Connection cable reference CL 58 in lengths of 5, 10, 20 and 30 meters
- Mechanical link reference L 24
- Mechanical adjustable link reference LA 24
- Disks for mechanical links reference D-4
- Trunnion reference BF 58
- Linear elastic cord suspension system reference S 58 L
- Linear elastic cord suspension system for shaker with trunnion reference S 58 BL
- Seismic support reference SS 331

www.haopute.com  
 email:info@haopute.com  
 phone:02884625157  
 mobile:18982185717



**PRODERA**

## DIMENSIONS



Dimensions in mm of the standard EX 58 C40

www.haopute.com  
email:info@haopute.com  
phone:02884625157  
mobile:18982185717



# PRODERA

EX 58 C40