

50 N



AIM OF THE EXCITERS

The aim of the exciters is to transform the current produced by an amplifier into a proportional force which, applied on appropriated points of a structure, sends a vibratory movement to this structure.

MAIN FEATURES

The magnetic circuit of a ticonal cylindrical permanent magnet generates a magnetic field in which the moving coil is suspended by the circular membranes.

The EX 58 exciter supplies a force of 50 N and an acceleration without load of about 500 m/s^2 in a frequency band from DC to 3,000 Hz.

APPLICATIONS

The design of its moving system (100 grams) and its reduced dimensions in relation to the force supplied, make this exciter especially suitable for modal analysis on average and compact structures. Associated with an amplifier type A 735, this exciter can operate at the maximum of its force and in its frequency range with an harmonic distortion less than 1%.

TECHNICAL FEATURES

Nominal force	50 N
Maximum peak current	8 A
Nominal displacement	± 6 mm
Maximum mechanical displacement	± 7 mm
Force/current linearity	< 0.5%
Variation of the force according to the coil position in the air gap	at 50 % of the stroke: < 1.5 % at 75 % of the stroke: < 4 %
Maximum resistance of the connection cable	0.2 Ohm
Maximum admissible transverse force	10 N
Total weight	8.7 kg
Dimensions	Diameter: 144 mm Total height: 185 mm
Associated amplifier	A 735
Cooling	By natural convection

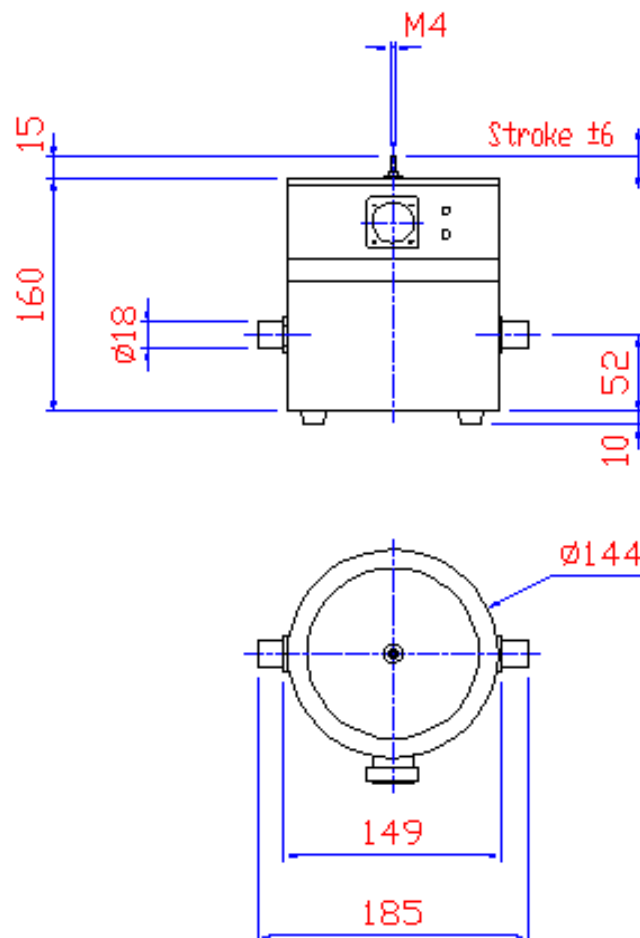
PARTICULAR FEATURES OF THE ARMATURE

Force factor	6.4 N/A
Coil resistance at 20°C	0.6 Ohm
Armature weight	110 grams
Maximum acceleration without load	470 m/s ²
Fundamental suspension frequency	Without load: 21 Hz With load of 345 g: 11.3 Hz
Suspension stiffness	1.9 N/mm
First major resonance frequency	Without load: 5,200 Hz With load: 2,950 Hz
Coil impedance at 1 000 Hz with 5 m cable	1.4 Ohm
Usable frequency range with associated amplifier and 5 m cable <ul style="list-style-type: none"> • At the maximum of power • At 75 % of the power 	DC to 4,000 Hz DC to 10,000 Hz

OPTIONAL ACCESSORIES :

- Cable references CL 58-5 (5 meters), CL 58-10 (10 meters), CL 58-20 (20 meters), CL 58-30 (30 meters)
- Mechanical link reference L24
- Linear elastic cord suspension system reference S 58 L; Linear elastic cord suspension system for shaker with trunnion reference S 58 BL
- Trunnion reference BF 58;
- Seismic support reference SS 331
- Stirrup reference ES 58

DIMENSIONS



EX58 EXCITER

50N

Dimensions in mm.

www.haopute.com
email:info@haopute.com
phone:02884625157
mobile:18982185717



PRODERA