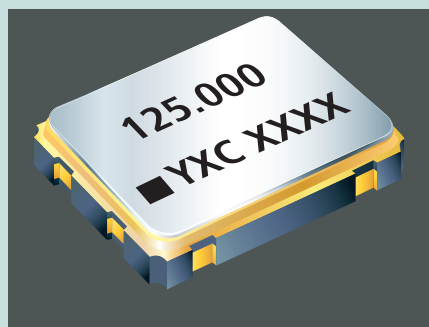




SMD Crystal Oscillators- CMOS Output 7.0 x 5.0 x 1.3 mm YSO751SR Series



Features

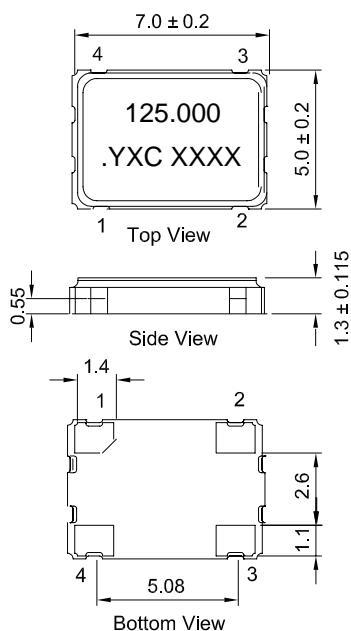
- Small SMD seam sealed clock crystal oscillator units.
- High precision characteristic covering up to wide frequency range.
- Designed for automatic mounting and reflow soldering.
- Tri-State function available.
- Supply voltage range : 1.8 V ~ 5 V.
- High stability, low jitter, low power consumption.
- Main application : wireless communication, PC, and LCDM.
- RoHS Compliant / Pb Free.



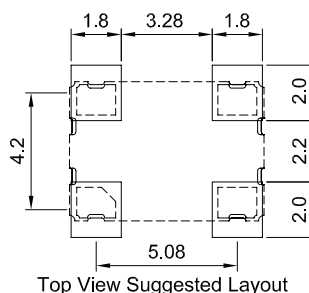
Electrical Specifications

| Item / Type | YSO751SR |
|-------------------------------------|----------------------------------|
| Output Type | CMOS |
| Output Load | 15 pF, or specify |
| Oscillation Mode | Fundamental / 3rd Overtone |
| Supply Voltage | 1.8~5V |
| Frequency Range | 1 ~ 200 MHz |
| Frequency Stability | ± 10 ppm ~ ± 50 ppm |
| Operating Temperature Range | - 20 ~ + 70 °C , - 40 ~ + 85 °C |
| Storage Temperature Range | - 40 ~ + 85 °C , - 55 ~ + 125 °C |
| Voltage Vol (Max.) / Voh (Min.) | 90%Vdd min./10%Vdd max |
| Rise (Tr) / Fall (Tf) Time | 8 ns Max. |
| Supply Current | See Below |
| Symmetry | 40 ~ 60 % Standard |
| Start-up Time | 10 ms Max. |
| Aging (at 25 °C) | ± 3 ppm / year Max. |

Dimensions



PAD FUNCTION:
1: ENABLE CONTROL
2: GND
3: OUT
4: VDD



Units: mm

★ PART NUMBER GUIDE 部件号示例 e.g. O705012MEEA4SC

YSO751SR=7.0×5.0 SMD SEAM TYPE

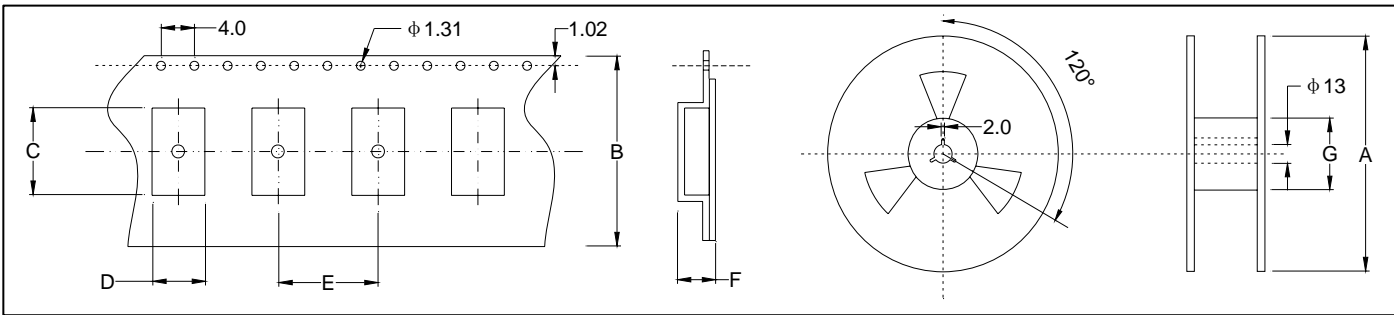
| Quartz Crystal Oscillator | Dimensions | Frequency (Hz) | Supply voltage (V) | Frequency Stability Overall (ppm) | output | Pin | Material | Operating Temp. Range |
|---------------------------|------------|----------------|--------------------|-----------------------------------|--------|-----|----------|-----------------------|
| O | 7050 | 12M | E | E | A | 4 | S | C |

| Definition | Description | Definition | Description |
|------------------------------|-------------|-------------------------|-----------------------|
| Frequency Stability 频率稳定度 | B: ±10ppm | Operating Temp. 工作温度 | C: -20~+70℃ |
| | D: ±20ppm | | I: -40~+85℃ |
| | E: ±25ppm | | X: Customer specified |
| | H: ±50ppm | | |

★ INPUT CURRENT 工作电流

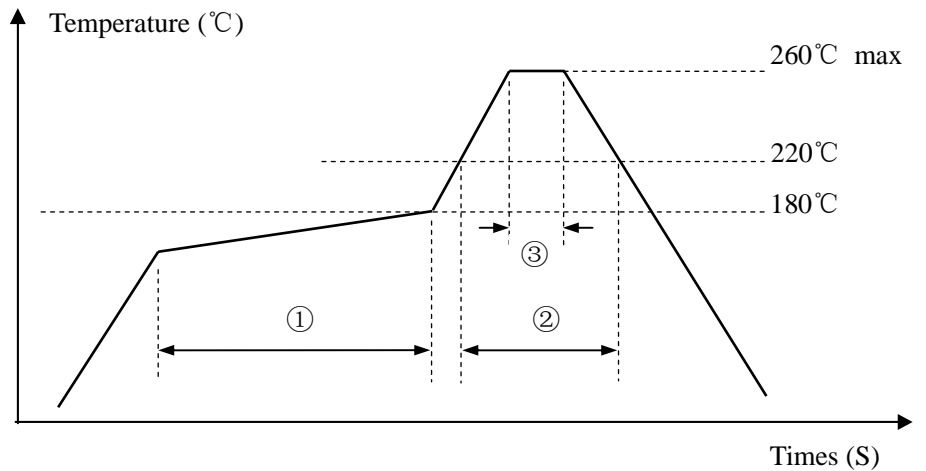
| Vdc=5.0V | | Vdc=1.8-3.3V | |
|-------------------|-----------|-------------------|----------|
| 15pF only | | 15pF only | |
| 1.0 ~ 35.999 MHz | 25 mA max | 1.0 ~ 35.999 MHz | 20mA max |
| 36.0 ~ 69.999 MHz | 60mA max | 36.0 ~ 69.999 MHz | 40mA max |
| 70.0 ~ 150 MHz | 80mA max | 70.0 ~ 150 MHz | 60mA max |

★ TAPING SPECIFICATION (Unit: mm) 编带规格



| | A | B | C | D | E | F | G |
|-------------------|---------|----------|-----------|-----------|----------|----------|----------|
| OSC-SMD7050 | 178±2.0 | 16.0±0.3 | 8.40±0.15 | 5.80±0.15 | 7.88±0.1 | 1.90±0.1 | 58.0±1.0 |
| 1000 pcs per reel | | | | | | | |

★ REFLOW SOLDERING PROFILE 回流焊特性



| Pb free reflow A | ① | Preheat | 160~180℃ | 120sec. max |
|------------------|---|--------------|----------|-------------|
| | ② | Primary heat | 220℃ | 60sec. max |
| | ③ | Peak | 260℃ | 10sec. max. |

★ Test Circuit(测试电路)

