

**NEW !**  
IP 67 Protection

**SPECIFICATIONS:**

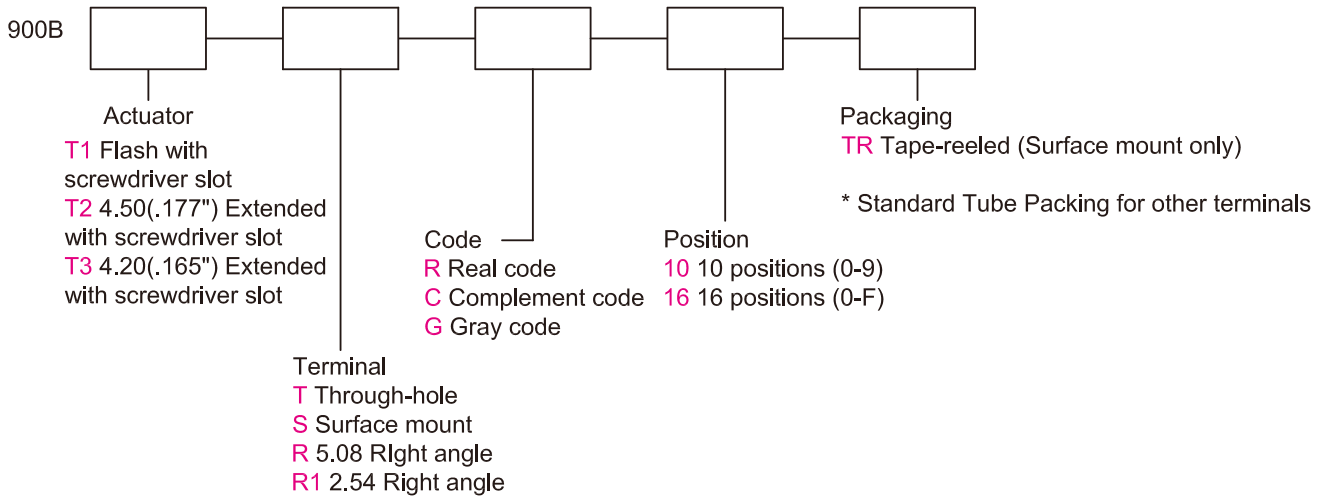
CONTACT RATING: (Non-switching)400mA 42V,  
(Switching)100mA 42V.  
ELECTRICAL LIFE: 25,000 make-and-break cycles at full load.  
CONTACT RESISTANCE: 80m-ohms max. initial @2-4VDC  
INSULATION RESISTANCE: 250VDC, 1,000M-ohms min.  
DIELECTRIC STRENGTH: 250VAC for 1 minute.  
OPERATING FORCE: 120±30gf.  
OPERATING TEMPERATURE: -60° C to +125° C.

**MATERIALS:**

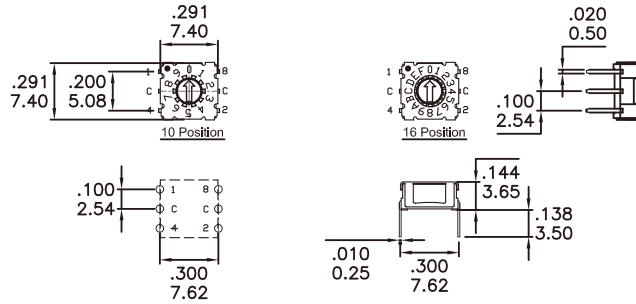
COVER: Stainless Steel.  
ACTUATOR: LCP.  
BASE: LCP.  
O-RING: Silicone.  
CONTACT & TERMINAL: Phosphor bronze, gold over nickel plated.

If your preferred product configuration is not shown, please contact our sales representative for custom design.

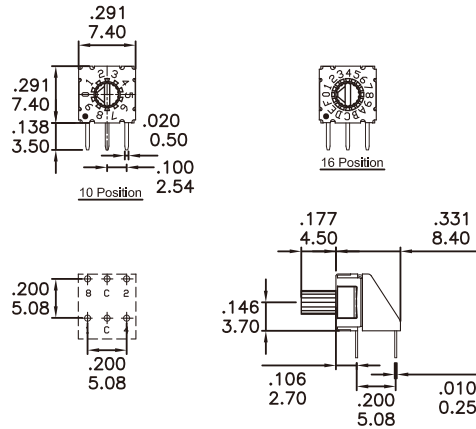
**HOW TO ORDER SYSTEM**



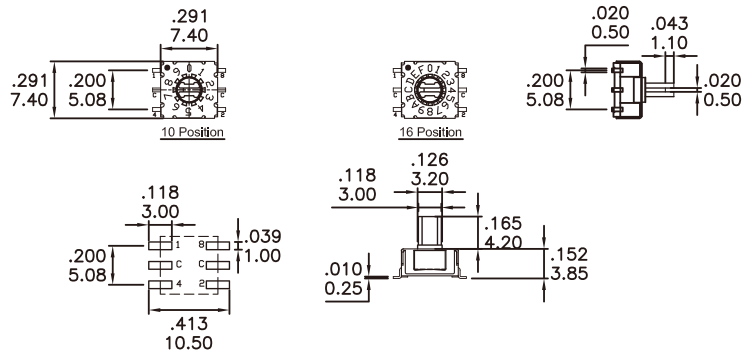
## THROUGH HOLE



## RIGHT ANGLE

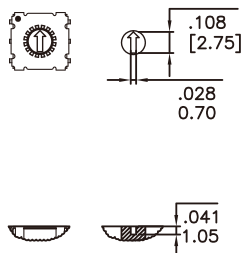


## SURFACE MOUNT

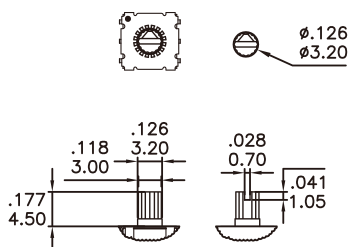


## ACTUATOR OPTIONS

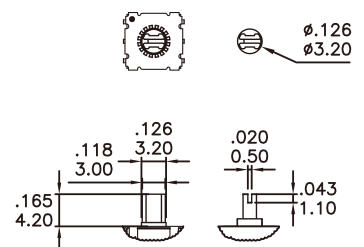
### T1 FLUSH



### T2 SCREWDRIVER SLOT

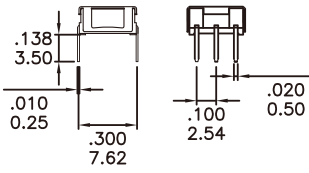


### T3 SCREWDRIVER SLOT

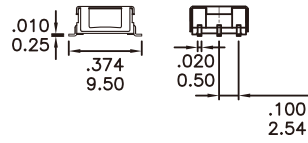


## TERMINATION OPTIONS

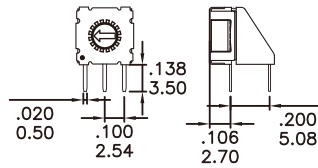
### T THROUGH HOLE



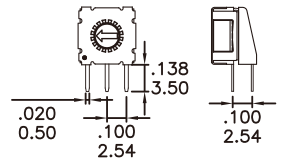
### S SURFACE MOUNT



### R 5.08 RIGHT ANGLE

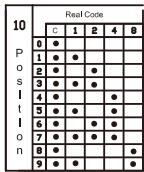


### R1 2.54 RIGHT ANGLE

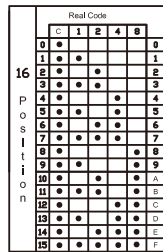


## CODE & POSITION OPTIONS

### R REAL CODE

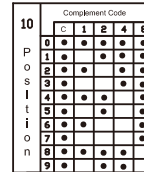


Actuator Color: Ivory

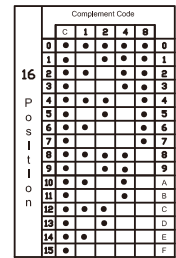


Actuator Color: Yellow

### C COMPLEMENT CODE

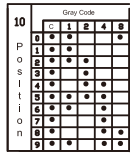


Actuator Color: Red

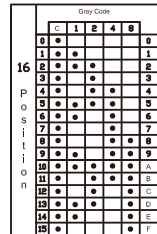


Actuator Color: Blue

### G Gray Code

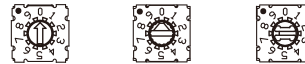


Actuator Color: Brown



Actuator Color: Blue

### 10 10-POSITION

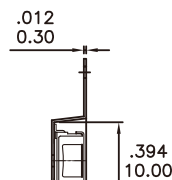


### 16 16-POSITION

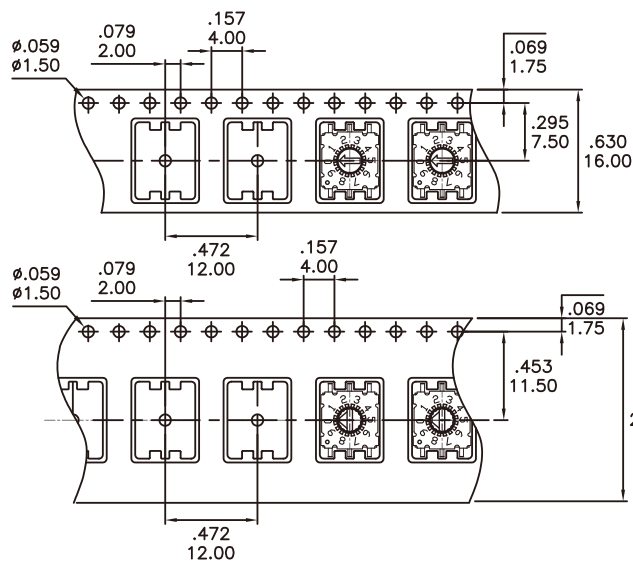
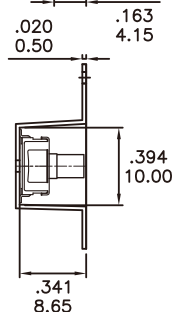


## TAPE & REEL PACKING

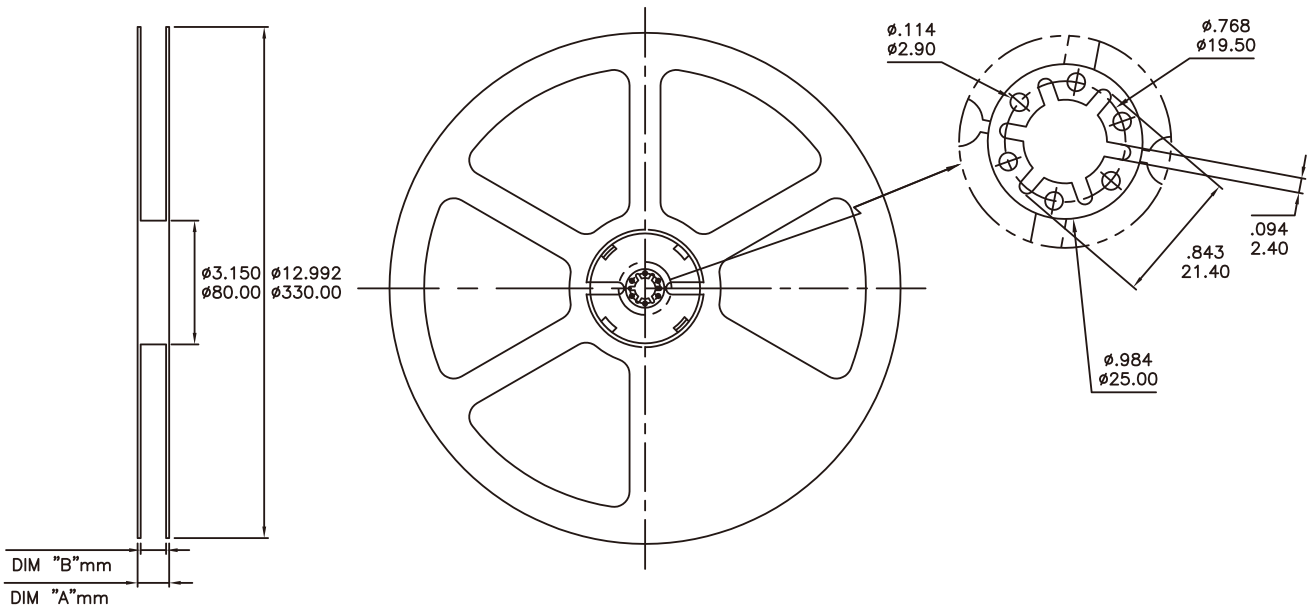
### W/O ACTUATOR



### WITH ACTUATOR



TAPE & REEL PACKING



MODEL	Units(pcs)	A	B
W/O ACTUATOR	1300	22.40	16.40
WITH ACTUATOR	600	30.40	24.40

