

### FEATURES

- ※ Side actuation
- ※ Gold contact for high reliability
- ※ Red, blue, and black color options.

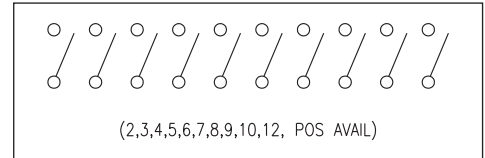
### APPLICATION

- ※ Industrial control
- ※ Computers and peripherals
- ※ Variety of function controls

### SPECIFICATION

Contact Rating	25mA, 24V DC
Contact Resistance	50mΩ max.
Insulation Resistance	100MΩ min. 500V DC
Dielectric Strength	500V AC/1 minute
Operating Force	400gf max.
Travel	30°
Operating Life	2,000 cycles
Operating Temp.	-20°C ~ +70°C
Storage Temp.	-40°C ~ +85°C

### CIRCUIT

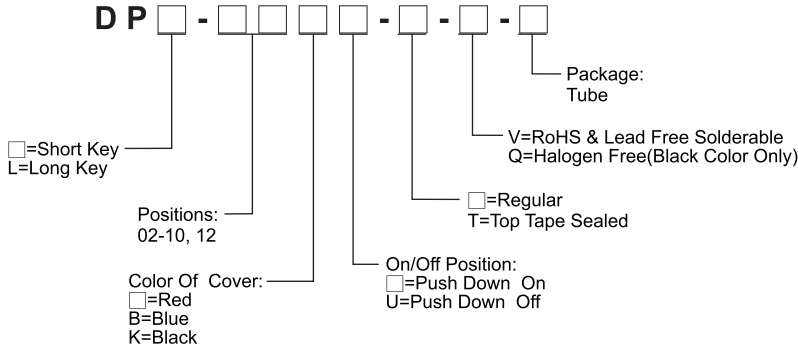


### PACKAGE

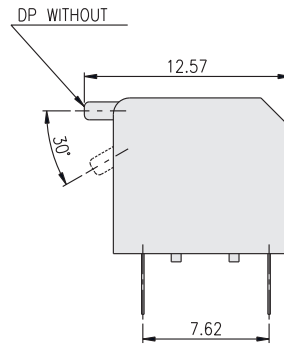
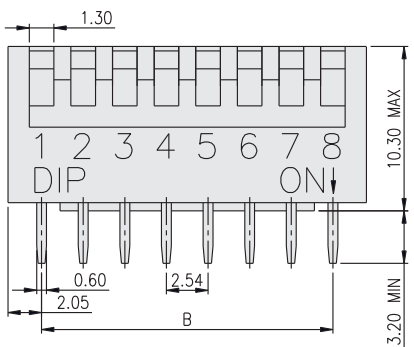
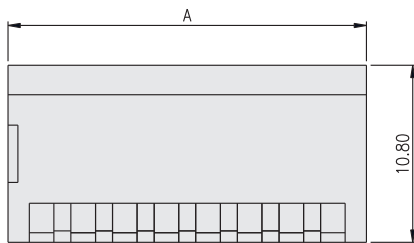
#### <Tube>

DP(L)-02: 70 pcs	DP(L)-02-T: 65 pcs
DP(L)-03: 50 pcs	DP(L)-03-T: 49 pcs
DP(L)-04: 39 pcs	DP(L)-04-T: 39 pcs
DP(L)-05: 32 pcs	DP(L)-05-T: 32 pcs
DP(L)-06: 27 pcs	DP(L)-06-T: 27 pcs
DP(L)-07: 24 pcs	DP(L)-07-T: 24 pcs
DP(L)-08: 21 pcs	DP(L)-08-T: 21 pcs
DP(L)-09: 19 pcs	DP(L)-09-T: 19 pcs
DP(L)-10: 17 pcs	DP(L)-10-T: 17 pcs
DP(L)-12: 14 pcs	DP(L)-12-T: 14 pcs

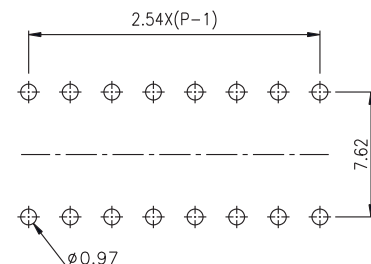
### HOW TO ORDER



### DP(L)



PART NO.	NO. OF POS.	DIM.A	DIM.B
DP-02	2	6.64	2.54
DP-03	3	9.18	5.08
DP-04	4	11.72	7.62
DP-05	5	14.26	10.16
DP-06	6	16.80	12.70
DP-07	7	19.34	15.24
DP-08	8	21.88	17.78
DP-09	9	24.42	20.32
DP-10	10	26.96	22.86
DP-12	12	32.04	27.94



P.C.B. LAYOUT