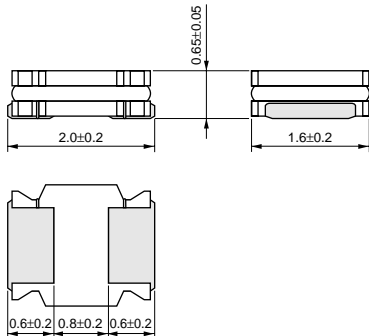


Chip Inductor (Chip Coil) Power Inductor (Wire Wound Type)

LQH2MC_52 Series (0806 Size)

■ Dimensions



(in mm)

■ Packaging

Code	Packaging	Minimum Quantity
L	180mm Embossed Tape	3000
B	Bulk(Bag)	100

■ Rated Value (□: packaging code)

Part Number	Inductance	Rated Current (Based on Inductance Change)	Rated Current (Based on Temperature Rise)	DC Resistance	Self Resonance Frequency (min.)
LQH2MCN1R0M52□	1.0μH±20%	-	595mA	0.25ohm±30%	215MHz
LQH2MCN1R5M52□	1.5μH±20%	-	540mA	0.33ohm±30%	165MHz
LQH2MCN2R2M52□	2.2μH±20%	-	500mA	0.42ohm±30%	125MHz
LQH2MCN3R3M52□	3.3μH±20%	-	360mA	0.74ohm±30%	110MHz
LQH2MCN4R7M52□	4.7μH±20%	-	335mA	0.91ohm±30%	90MHz
LQH2MCN6R8M52□	6.8μH±20%	-	285mA	1.23ohm±30%	65MHz
LQH2MCN100M52□	10μH±20%	-	200mA	2.27ohm±30%	60MHz
LQH2MCN120M52□	12μH±20%	-	170mA	2.4ohm±30%	30MHz
LQH2MCN150M52□	15μH±20%	-	150mA	3.5ohm±30%	30MHz
LQH2MCN180M52□	18μH±20%	-	140mA	4ohm±30%	30MHz
LQH2MCN220M52□	22μH±20%	-	130mA	5.5ohm±30%	30MHz

Test Frequency: 1MHz Class of Magnetic Shield: No magnetic shield
 Operating Temperature Range (Self-temperature rise is not included): -40°C to +85°C
 Only for reflow soldering.

■ Notice (Rated Current)

<Rated Current>
 (Based on Temperature Rise)
 When Rated Current is applied to the Products,
 self-generation of heat will rise to 40°C or less.

Continued on the following page.

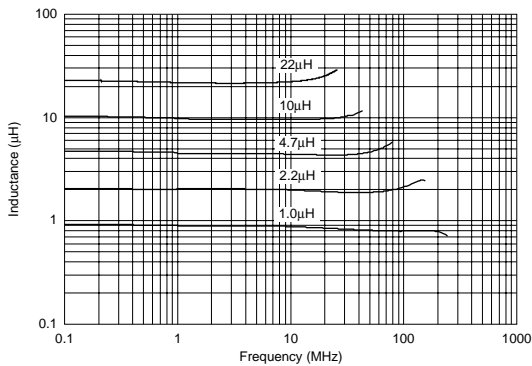
● This data sheet is applied for CHIP INDUCTORS (CHIP COILS) used for General Electronics equipment for your design.

⚠ Note:

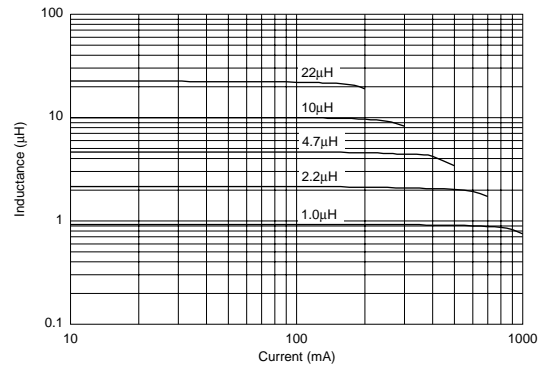
- This datasheet is downloaded from the website of Murata Manufacturing co., Ltd. Therefore, it's specifications are subject to change or our products in it may be discontinued without advance notice. Please check with our sales representatives or product engineers before ordering.
- This datasheet has only typical specifications because there is no space for detailed specifications. Therefore, please approve our product specifications or transact the approval sheet for product specifications before ordering.

Continued from the preceding page.

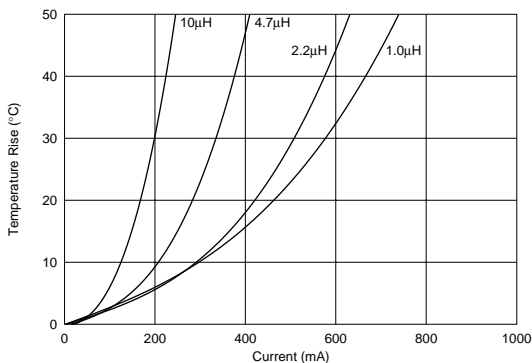
Inductance-Frequency Characteristics (Typ.)



Inductance-Current Characteristics (Typ.)



Temperature Rise Characteristics (Typ.)



Caution/Notice

Caution (Rating)

Do not use products beyond the rated current as this may create excessive heat.

Notice

Solderability of Tin plating termination chip might be deteriorated when low temperature soldering profile where peak solder temperature is below the Tin melting point is used. Please confirm the solderability of Tin plating termination chip before use.

● This data sheet is applied for CHIP INDUCTORS (CHIP COILS) used for General Electronics equipment for your design.

Note:

1. This datasheet is downloaded from the website of Murata Manufacturing co., Ltd. Therefore, it's specifications are subject to change or our products in it may be discontinued without advance notice. Please check with our sales representatives or product engineers before ordering.
2. This datasheet has only typical specifications because there is no space for detailed specifications. Therefore, please approve our product specifications or transact the approval sheet for product specifications before ordering.