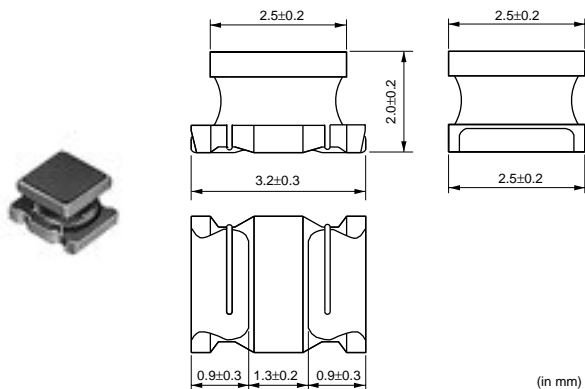


LQH32M Series

■ Features

The chip inductor LQH32M series consists of miniature chip inductors wound on a special ferrite core. It have a high Q value at high frequencies and low DC resistance. Wide inductance range from 0.10 micro H to 560 micro H are available.



(in mm)

| Part Number | Inductance (μH) | Rated Current (mA) | Max. of DC resistance (ohm) | Q (min.) | Self Resonance Frequency (MHz) |
|---------------|-----------------|--------------------|-----------------------------|----------------|--------------------------------|
| LQH32MN100J21 | 10 ±5% | 190 | 1.8 | 35 at 1MHz | 20 min. |
| LQH32MN120J21 | 12 ±5% | 180 | 2 | 35 at 1MHz | 18 min. |
| LQH32MN150J21 | 15 ±5% | 170 | 2.2 | 35 at 1MHz | 16 min. |
| LQH32MN180J21 | 18 ±5% | 165 | 2.5 | 35 at 1MHz | 15 min. |
| LQH32MN220J21 | 22 ±5% | 150 | 2.8 | 35 at 1MHz | 14 min. |
| LQH32MN270J21 | 27 ±5% | 125 | 3.1 | 35 at 1MHz | 13 min. |
| LQH32MN330J21 | 33 ±5% | 115 | 3.5 | 40 at 1MHz | 12 min. |
| LQH32MN390J21 | 39 ±5% | 110 | 3.9 | 40 at 1MHz | 11 min. |
| LQH32MN470J21 | 47 ±5% | 100 | 4.3 | 40 at 1MHz | 11 min. |
| LQH32MN560J21 | 56 ±5% | 85 | 4.9 | 40 at 1MHz | 10 min. |
| LQH32MN680J21 | 68 ±5% | 80 | 5.5 | 40 at 1MHz | 9 min. |
| LQH32MN820J21 | 82 ±5% | 70 | 6.2 | 40 at 1MHz | 8.5 min. |
| LQH32MN101J21 | 100 ±5% | 80 | 7 | 40 at 0.796MHz | 8 min. |
| LQH32MN121J21 | 120 ±5% | 75 | 8 | 40 at 0.796MHz | 7.5 min. |
| LQH32MN151J21 | 150 ±5% | 70 | 9.3 | 40 at 0.796MHz | 7 min. |
| LQH32MN181J21 | 180 ±5% | 65 | 10.2 | 40 at 0.796MHz | 6 min. |
| LQH32MN221J21 | 220 ±5% | 65 | 11.8 | 40 at 0.796MHz | 5.5 min. |
| LQH32MN271J21 | 270 ±5% | 65 | 12.5 | 40 at 0.796MHz | 5 min. |
| LQH32MN331J21 | 330 ±5% | 65 | 13 | 40 at 0.796MHz | 5 min. |
| LQH32MN391J21 | 390 ±5% | 50 | 22 | 50 at 0.796MHz | 5 min. |
| LQH32MN471J21 | 470 ±5% | 45 | 25 | 50 at 0.796MHz | 5 min. |
| LQH32MN561J21 | 560 ±5% | 40 | 28 | 50 at 0.796MHz | 5 min. |
| LQH32MN1R5K21 | 1.5 ±10% | 400 | 0.6 | 20 at 1MHz | 75 min. |
| LQH32MN1R8K21 | 1.8 ±10% | 390 | 0.7 | 20 at 1MHz | 60 min. |
| LQH32MN2R2K21 | 2.2 ±10% | 370 | 0.8 | 20 at 1MHz | 50 min. |
| LQH32MN2R7K21 | 2.7 ±10% | 320 | 0.9 | 20 at 1MHz | 43 min. |
| LQH32MN3R3K21 | 3.3 ±10% | 300 | 1 | 20 at 1MHz | 38 min. |
| LQH32MN3R9K21 | 3.9 ±10% | 290 | 1.1 | 20 at 1MHz | 35 min. |
| LQH32MN4R7K21 | 4.7 ±10% | 270 | 1.2 | 20 at 1MHz | 31 min. |
| LQH32MN5R6K21 | 5.6 ±10% | 250 | 1.3 | 20 at 1MHz | 28 min. |
| LQH32MN6R8K21 | 6.8 ±10% | 240 | 1.5 | 20 at 1MHz | 25 min. |
| LQH32MN8R2K21 | 8.2 ±10% | 225 | 1.6 | 20 at 1MHz | 23 min. |
| LQH32MN100K21 | 10 ±10% | 190 | 1.8 | 35 at 1MHz | 20 min. |
| LQH32MN120K21 | 12 ±10% | 180 | 2 | 35 at 1MHz | 18 min. |
| LQH32MN150K21 | 15 ±10% | 170 | 2.2 | 35 at 1MHz | 16 min. |
| LQH32MN180K21 | 18 ±10% | 165 | 2.5 | 35 at 1MHz | 15 min. |
| LQH32MN220K21 | 22 ±10% | 150 | 2.8 | 35 at 1MHz | 14 min. |
| LQH32MN270K21 | 27 ±10% | 125 | 3.1 | 35 at 1MHz | 13 min. |
| LQH32MN330K21 | 33 ±10% | 115 | 3.5 | 40 at 1MHz | 12 min. |
| LQH32MN390K21 | 39 ±10% | 110 | 3.9 | 40 at 1MHz | 11 min. |
| LQH32MN470K21 | 47 ±10% | 100 | 4.3 | 40 at 1MHz | 11 min. |
| LQH32MN560K21 | 56 ±10% | 85 | 4.9 | 40 at 1MHz | 10 min. |

Continued on the following page.

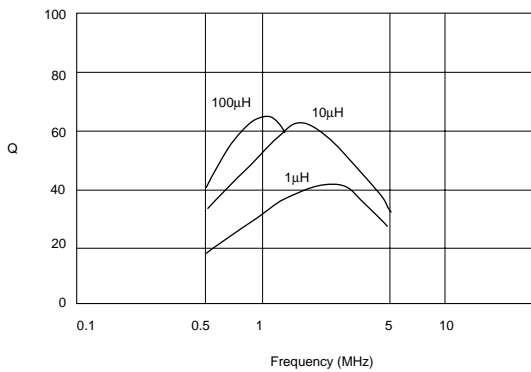
Continued from the preceding page.

| Part Number | Inductance (μH) | Rated Current (mA) | Max. of DC resistance (ohm) | Q (min.) | Self Resonance Frequency (MHz) |
|---------------|-----------------|--------------------|-----------------------------|----------------|--------------------------------|
| LQH32MN680K21 | 68 ±10% | 80 | 5.5 | 40 at 1MHz | 9 min. |
| LQH32MN820K21 | 82 ±10% | 70 | 6.2 | 40 at 1MHz | 8.5 min. |
| LQH32MN101K21 | 100 ±10% | 80 | 7 | 40 at 0.796MHz | 8 min. |
| LQH32MN121K21 | 120 ±10% | 75 | 8 | 40 at 0.796MHz | 7.5 min. |
| LQH32MN151K21 | 150 ±10% | 70 | 9.3 | 40 at 0.796MHz | 7 min. |
| LQH32MN181K21 | 180 ±10% | 65 | 10.2 | 40 at 0.796MHz | 6 min. |
| LQH32MN221K21 | 220 ±10% | 65 | 11.8 | 40 at 0.796MHz | 5.5 min. |
| LQH32MN271K21 | 270 ±10% | 65 | 12.5 | 40 at 0.796MHz | 5 min. |
| LQH32MN331K21 | 330 ±10% | 65 | 13 | 40 at 0.796MHz | 5 min. |
| LQH32MN391K21 | 390 ±10% | 50 | 22 | 50 at 0.796MHz | 5 min. |
| LQH32MN471K21 | 470 ±10% | 45 | 25 | 50 at 0.796MHz | 5 min. |
| LQH32MN561K21 | 560 ±10% | 40 | 28 | 50 at 0.796MHz | 5 min. |
| LQH32MNR10M21 | 0.1 ±20% | 700 | 0.25 | 20 at 25.2MHz | 200 min. |
| LQH32MNR18M21 | 0.18 ±20% | 650 | 0.25 | 20 at 25.2MHz | 200 min. |
| LQH32MNR27M21 | 0.27 ±20% | 600 | 0.25 | 25 at 25.2MHz | 200 min. |
| LQH32MNR39M21 | 0.39 ±20% | 530 | 0.25 | 25 at 25.2MHz | 200 min. |
| LQH32MNR56M21 | 0.56 ±20% | 530 | 0.25 | 30 at 25.2MHz | 160 min. |
| LQH32MNR68M21 | 0.68 ±20% | 470 | 0.25 | 30 at 25.2MHz | 160 min. |
| LQH32MNR82M21 | 0.82 ±20% | 450 | 0.25 | 30 at 25.2MHz | 120 min. |
| LQH32MN1R0M21 | 1 ±20% | 445 | 0.5 | 20 at 1MHz | 100 min. |
| LQH32MN1R2M21 | 1.2 ±20% | 425 | 0.6 | 20 at 1MHz | 100 min. |

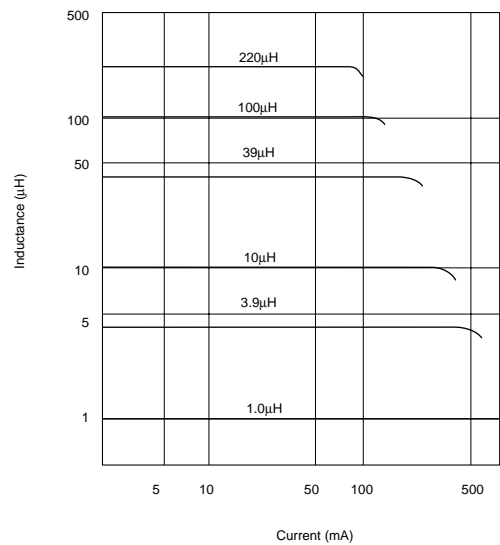
Min. of Operating Temp. : -25°C to 85°C

7

Q-Frequency Characteristics



Inductance-Current Characteristics



LQH43M/N Series

Features

The chip inductor LQH43M series consists of miniature chip inductors wound on a special ferrite core. It has a high Q value at high frequencies and low DC resistance. Wide inductance range from 1.0 micro H to 2200 micro H are available.

