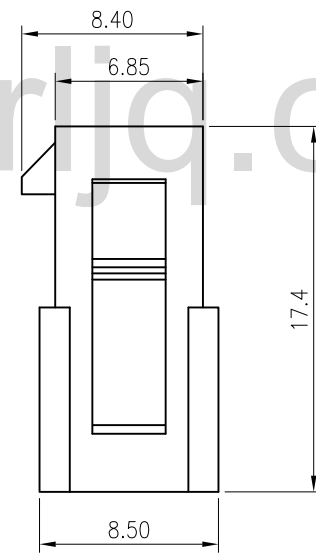
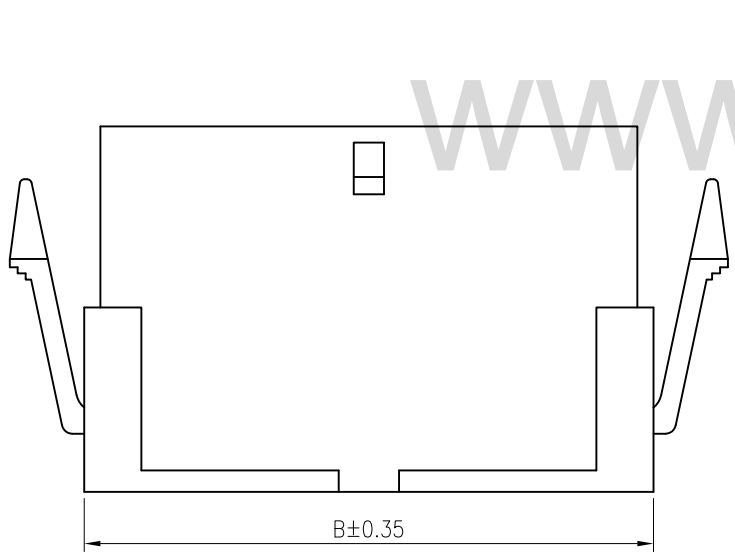


- ◆ SPECIFICATIONS
- Current rating: 5A AC, DC
 - Voltage rating: 250V AC,DC
 - Temperature range: -25°C ~ +85°C
 - Insulation resistance: 1000MΩ Min.
 - Withstanding voltage: 1500V AC/ minute.
 - Contact resistance: 10m Ω Max.

Material: Nylon66 UL94 V-2
 Suitable: KR300 series Terminal
 Mates With KR3000 series dual row male housing and KR3000 series dual row wafer



www.krljq.com

PART NO.	Dimensions	
	A	B
A3000N20160P60	---	5.50
A3000N20260P60	3.0	8.50
A3000N20360P60	6.0	11.50
A3000N20460P60	9.0	14.50
A3000N20560P60	12.0	17.50
A3000N20660P60	15.0	20.50
A3000N20760P60	18.0	23.50
A3000N20860P60	21.0	26.50
A3000N20960P60	24.0	29.50
A3000N21060P60	27.0	32.50
A3000N21160P60	30.0	35.50
A3000N21260P60	33.0	38.50

△				GENERAL TOLERANCE	UNIT: mm	DATE	TITLE:		
△				.X±0.30	X°±1°	DRAWN: 闵昕皓	MX 3.0 Dual Row Female Housing		
△				.XX±0.20	.X°±	CHECKED:	VER. SCALE: N/A		
△				.XXX±0.10	.XX°±	APPROVED:	A SHEET: 1/1		
LTR	NAME	DATE	VERISION RECORD						

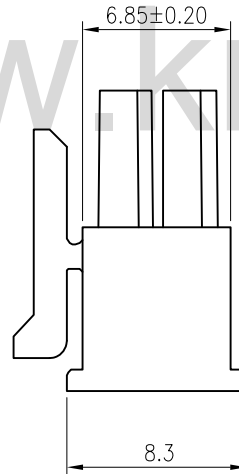
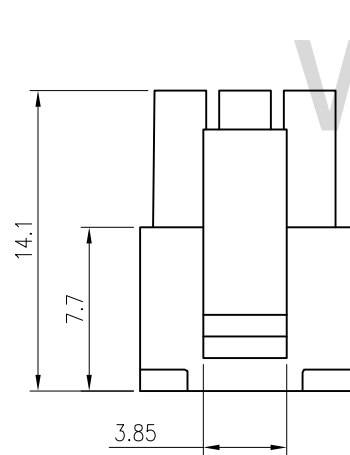
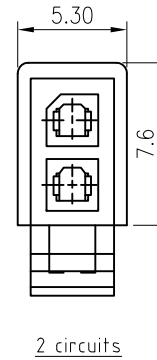
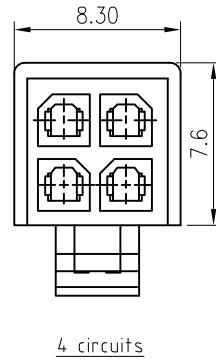
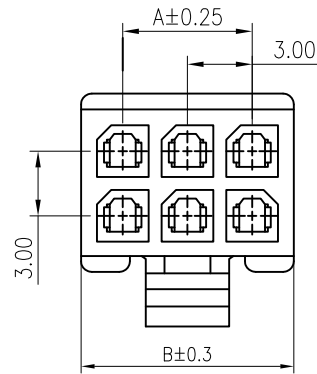

东莞市康瑞电子有限公司
 DongGuan A Rui Electronic Co. LTD.

PROJECT	PART NO.	A3000N***60P60
DRAWING NO.		3000HF201-6-S

◆ SPECIFICATIONS

- Current rating: 5A AC, DC
- Voltage rating: 250V AC, DC
- Temperature range: -25°C ~ +85°C
- Insulation resistance: 1000MΩ Min.
- Withstanding voltage: 1500V AC/ minute.
- Contact resistance: 10mΩ Max.

Material: Nylon66 UL94 V-2
 Suitable: KR300 series Terminal
 Mates With KR3000 series dual row female housing and KR3000 series dual row wafer



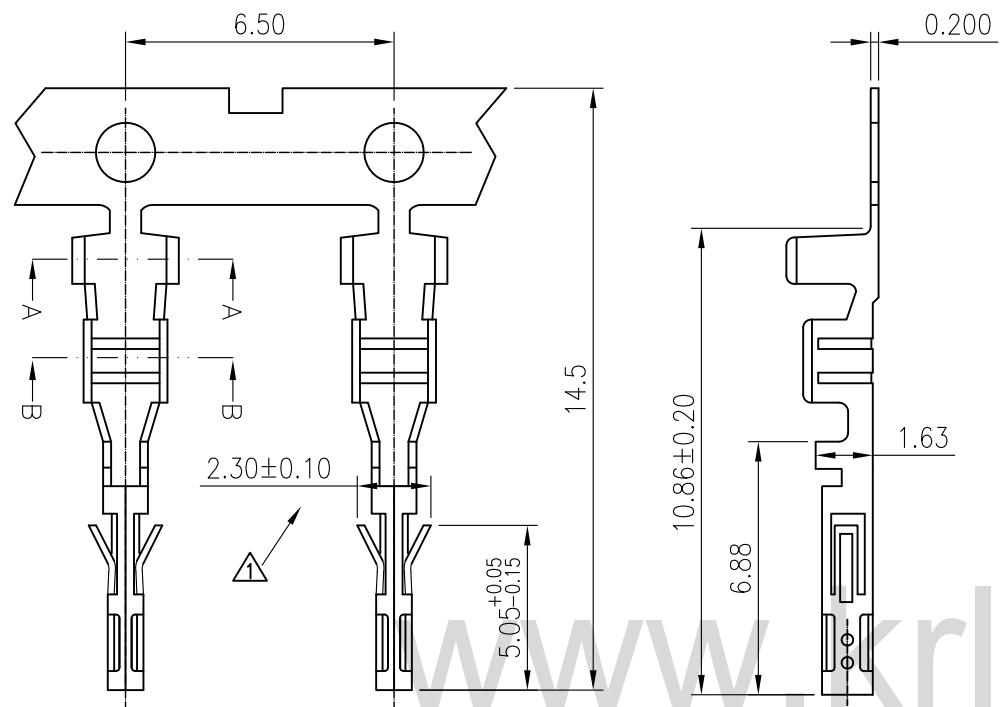
PART NO.	Dimension mm	
	A	B
A3000F20160P60	---	3.85
A3000F20260P60	3.0	6.85
A3000F20360P60	6.0	9.85
A3000F20460P60	9.0	12.85
A3000F20560P60	12.0	15.85
A3000F20660P60	15.0	18.85
A3000F20760P60	18.0	21.85
A3000F20860P60	21.0	24.85
A3000F20960P60	24.0	27.85
A3000F21060P60	27.0	30.85
A3000F21160P60	30.0	33.85
A3000F21260P60	33.0	37.00

www.krljq.com

	GENERAL TOLERANCE		UNIT: mm		DATE		TITLE: MX 3.0 Dual Row male Housing			
	.X±0.30	X°±1°	DRAWN: 闵昕皓		2013.9.9					
	.XX±0.20	.X°±	CHECKED:				VER.	SCALE:	N/A	
	.XXX±0.10	.XX°±	APPROVED:				A	SHEET:	1/1	
LTR	NAME	DATE	VERISION RECORD							

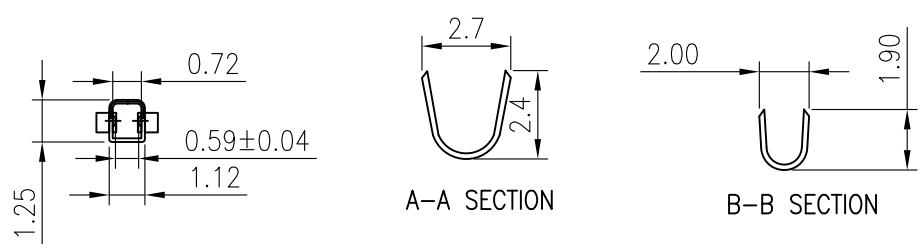
东莞市康瑞电子有限公司
DongGuan A Rui Electronic Co. LTD.

PROJECT	PART NO.	A3000F***60P60
DRAWING NO.		3000HM201-6-S



- ◆ SPECIFICATIONS
- Current rating: 5A AC, DC
 - Voltage rating: 250V AC, DC
 - Temperature range: -25°C ~ +85°C
 - Insulation resistance: 1000MΩ Min.
 - Withstanding voltage: 1500V AC/ minute.
 - Contact resistance: 10mΩ Max.

Material: Phosphor Bronze
 Finish: Tin plated over Nickel
 Applicable wires: AWG #20~#24
 Insulation O.D 1.30~1.80 mm
 Suitable: KR3000 series Housing
 Qty/reel: 10,000PCS

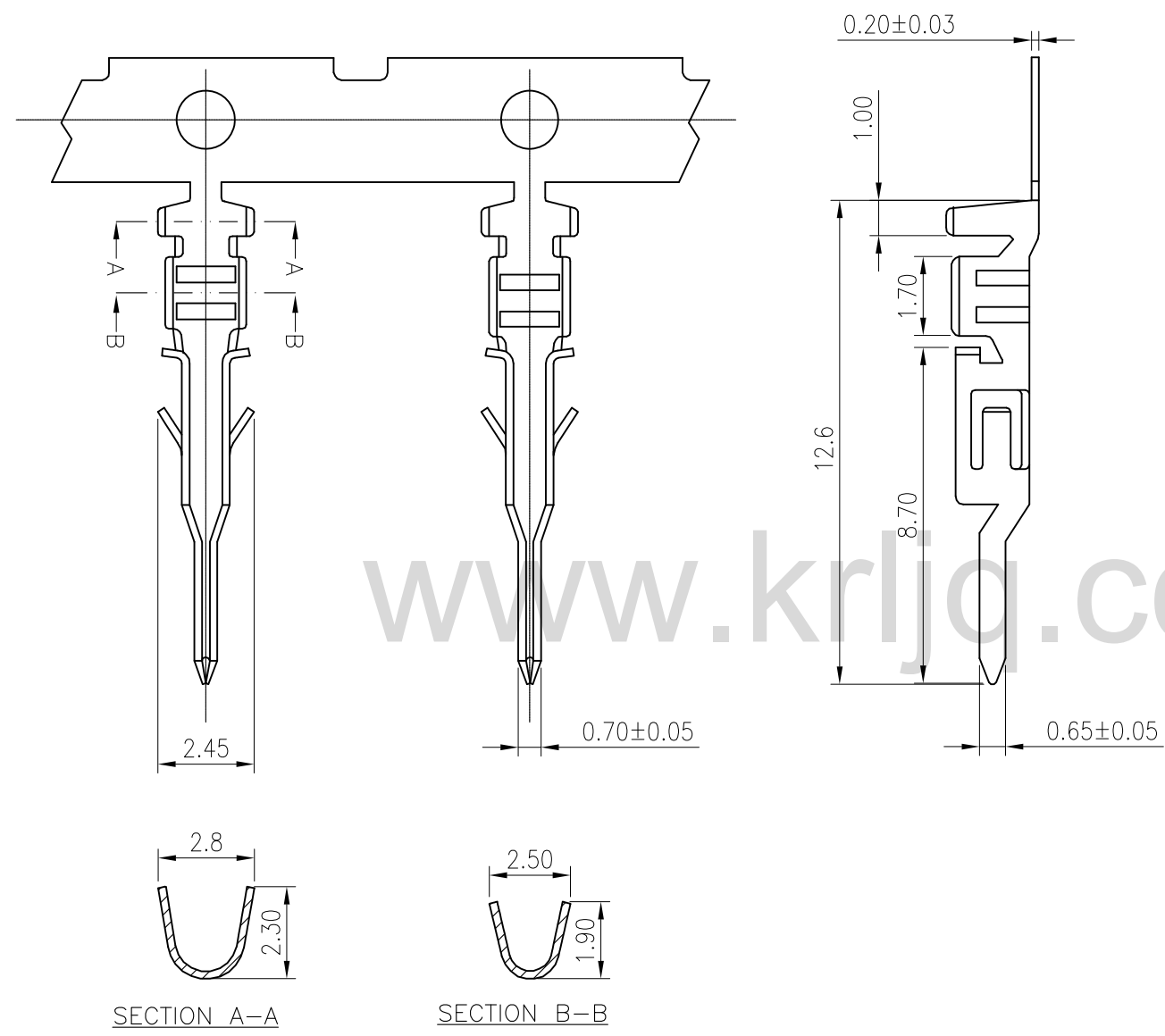


B3000M*4AA100
 T: 镀锡
 B: 半金
 G: 全金
 L: 素材
 1: 先冲后镀
 3: 素材

<table border="1"> <tr> <td>⚠</td> <td></td> <td></td> <td></td> </tr> <tr> <td>⚠</td> <td></td> <td></td> <td></td> </tr> <tr> <td>⚠</td> <td></td> <td></td> <td></td> </tr> <tr> <td>⚠</td> <td>龙一蛟</td> <td>2014.11.14</td> <td>新增一款</td> </tr> </table>				⚠				⚠				⚠				⚠	龙一蛟	2014.11.14	新增一款	GENERAL TOLERANCE .X±0.30 X°±1° .XX±0.20 .X°± .XXX±0.10 .XX°±		UNIT: mm DRAWN: 龙一蛟 CHECKED: APPROVED:		DATE 2014.11.14		TITLE: Molex 3.0 母 Terminal 弹片尺寸 2.30 VER. A SCALE: N/A SHEET: 1/1			东莞市康瑞电子有限公司 DongGuan A Rui Electronics Co. LTD.		
⚠																															
⚠																															
⚠																															
⚠	龙一蛟	2014.11.14	新增一款																												
LTR NAME DATE VERISION RECORD								PROJECT PART NO. B3000M*4AA*00			DRAWING NO. 3000TF01-4-S																				
1	2	3	4	5	6	7	8	9	1	2	3	4																			

- ◆SPECIFICATIONS
- Current rating: 5A AC, DC
 - Voltage rating: 250V AC,DC
 - Temperature range: -25°C ~ +85°C
 - Insulation resistance: 1000MΩ Min.
 - Withstanding voltage: 1500V AC/ minute.
 - Contact resistance: 10m Ω Max.

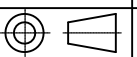
Terminal:
 Material: Phosphor Bronze
 Finish: Tin Plated over Nickel
 Applicable wires:
 AWG #28~#24
 Insulation O.D.: 1.80mm Max.
 Suitable:KR300HM series Housing
 Qty/reel:10,000PCS



www.krljq.com

△				GENERAL TOLERANCE		UNIT: mm		DATE		TITLE:		
③				.X±0.30 X°±1°		DRAWN: 闵昕皓		2013.8.27		Molex 3.0 公 Terminal		
△				.XX±0.20 .X°±		CHECKED:				PROJECT		
△				.XXX±0.10 .XX°±		APPROVED:				PART NO. B3000FT5AA100		
LTR	NAME	DATE	VERISION RECORD						VER. A		SCALE: SHEET: N/A 1/1	
1	2	3	4	5	6	7	8	9	DRAWING NO. 3000TM01-5-S			


东莞市康瑞电子有限公司
 DongGuan A Rul Electronic Co. LTD.


 DRAWING NO. 3000TM01-5-S

1 2 3 4 5 6 7 8 9

A

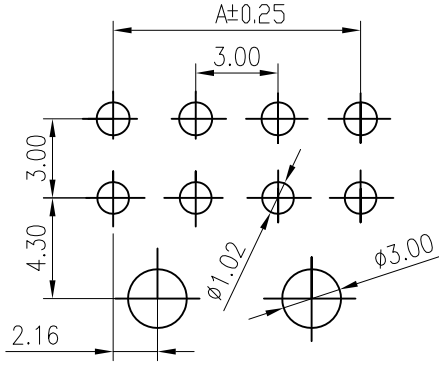
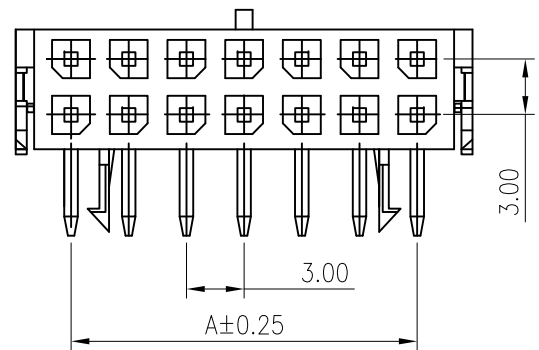
B

C

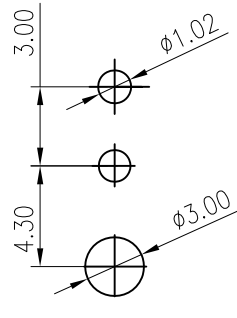
D

E

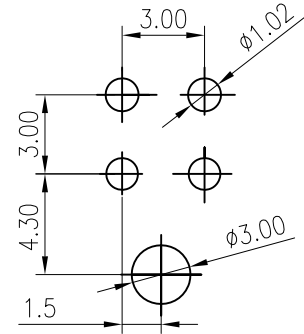
F



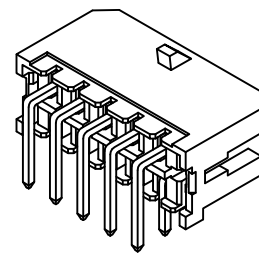
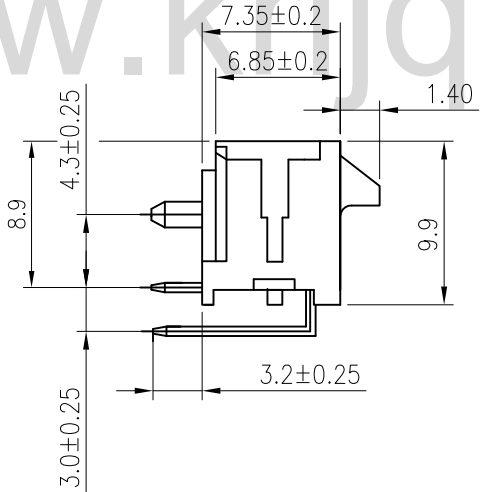
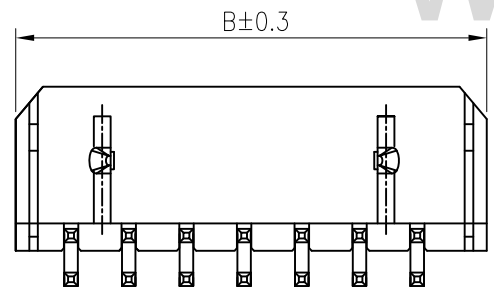
8P~24P P.C.B LAYOUT



2P P.C.B LAYOUT



4P~6P P.C.B LAYOUT



C3000RD***30P4*0

PIN数
 LP:LCP料
 P4:PA46料
 0:镀锡
 P:Gold Flash
 J:镀金3u"
 3:袋装
 4:盒装

◆ SPECIFICATIONS

- Current rating: 5A AC, DC
- Voltage rating: 250V AC, DC
- Temperature range: -25°C ~ +85°C
- Insulation resistance: 1000MΩ Min.
- Withstanding voltage: 1500V AC/ minute.
- Contact resistance: 10mΩ Max.

Material:

Insulator: PA46 UL 94V-0
 Contact: Brass
 Plating: Tin plated
 Circuits: 2~24
 Suitable: KR3000 series dual row Housing

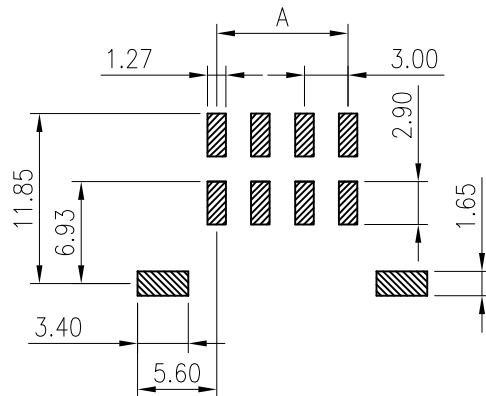
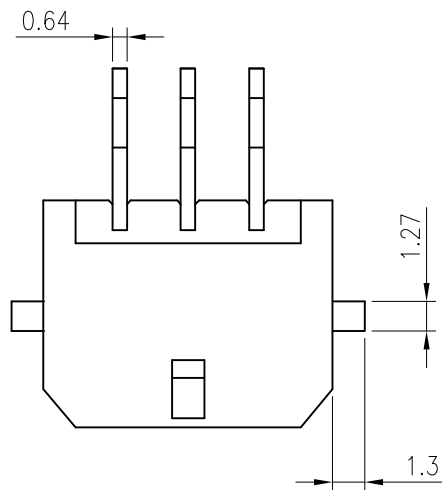
PART NO.	Dimension	
	A	B
C3000RD20130P4*0	—	6.65
C3000RD20230P4*0	3.0	9.65
C3000RD20330P4*0	6.0	12.65
C3000RD20430P4*0	9.0	15.65
C3000RD20530P4*0	12.0	18.65
C3000RD20630P4*0	15.0	21.65
C3000RD20730P4*0	18.0	24.65
C3000RD20830P4*0	21.0	27.65
C3000RD20930P4*0	24.0	30.65
C3000RD21030P4*0	27.0	33.65
C3000RD21130P4*0	30.0	36.65
C3000RD21230P4*0	33.0	39.65

△				GENERAL TOLERANCE	UNIT: mm	DATE	TITLE:		
△				.X ±0.3	X° ±1°	DRAWN: 朱佑武	2013.01.09		
△				.XX ±0.2	.X°	CHECKED:		VER.	SCALE: N/A
△				.XXX ±0.1		APPROVED: 周志龙	2013.01.09	A	SHEET: 1/1
LTR	NAME	DATE	VERSION RECORD						


东莞市康瑞电子有限公司
 DongGuan A Rul Electronic Co. LTD.

PROJ:  PART NO. C3000RD***30P4*0
 DRAWING NO. 3000WHD201-3-S

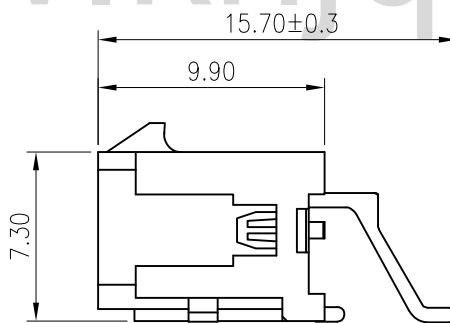
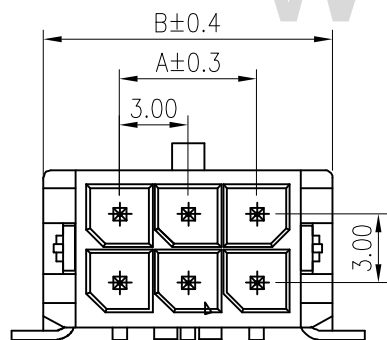
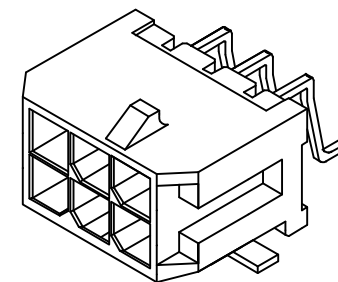
1 2 3 4 5 6 7 8 9



P.C.B. LAYOUT

- ◆ SPECIFICATIONS
- Current rating: 5A AC, DC
 - Voltage rating: 250V AC, DC
 - Temperature range: -25°C ~ +85°C
 - Insulation resistance: 1000MΩ Min.
 - Withstanding voltage: 1500V AC/ minute.
 - Contact resistance: 10m Ω Max.

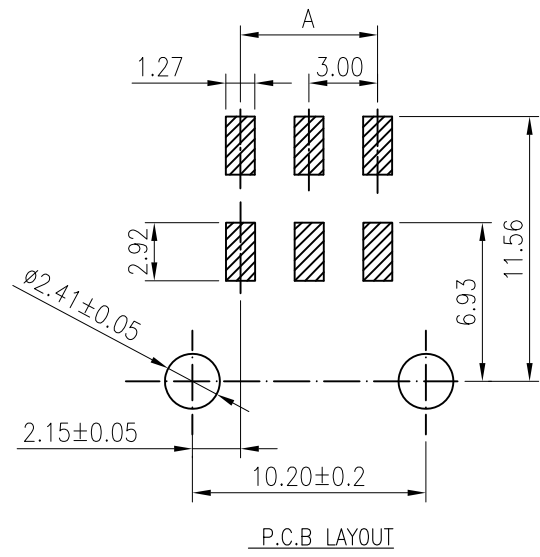
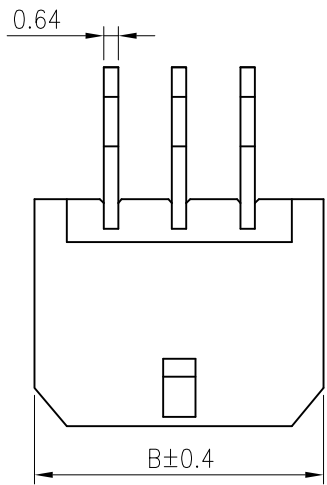
Material:
 Insulator: LCP UL 94V-0
 Contact: Brass
 Solder nail: Brass
 Plating: Tin plated
 Circuits: 2~24
 Suitable: KR3000 series dual row Housing



PART NO.	Dimension mm	
	A	B
C3000RS20130LP2B	--	6.65
C3000RS20230LP2B	3.0	9.65
C3000RS20330LP2B	6.0	12.65
C3000RS20430LP2B	9.0	15.65
C3000RS20530LP2B	12.0	18.65
C3000RS20630LP2B	15.0	21.65
C3000RS20730LP2B	18.0	24.65
C3000RS20830LP2B	21.0	27.65
C3000RS20930LP2B	24.0	30.65
C3000RS21030LP2B	27.0	33.65
C3000RS21130LP2B	30.0	36.65
C3000RS21230LP2B	33.0	39.65

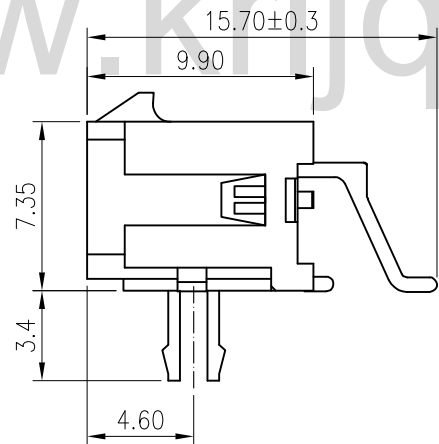
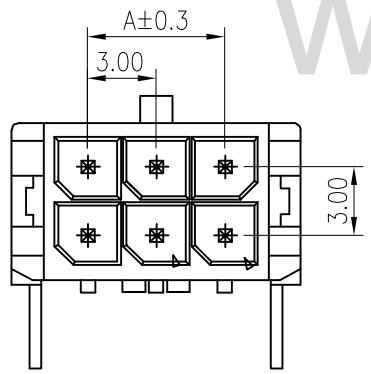
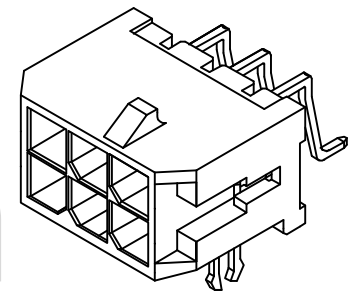
www.krljq.com

△				GENERAL TOLERANCE	UNIT: mm	DATE	TITLE: Molex 3.0 SMT dual row 90° Wafer with tab			东莞市康瑞电子有限公司 DongGuan A Rui Electronic Co. LTD.
△				.X ±0.3 X° ±1°	DRAWN: 朱佑武	2013.01.09	VER.	SCALE:	N/A	
△				.XX ±0.2 .X°	CHECKED:		PROJ	PART NO.	C3000RS***30LP2B	
△				.XXX ±0.1	APPROVED: 周志龙	2013.01.09	A	SHEET:	1/1	
LTR	NAME	DATE	VERISION RECORD							DRAWING NO. 3000WHS201-3-S



- ◆ SPECIFICATIONS
- Current rating: 5A AC, DC
 - Voltage rating: 250V AC, DC
 - Temperature range: -25°C ~ +85°C
 - Insulation resistance: 1000MΩ Min.
 - Withstanding voltage: 1500V AC/ minute.
 - Contact resistance: 10m Ω Max.

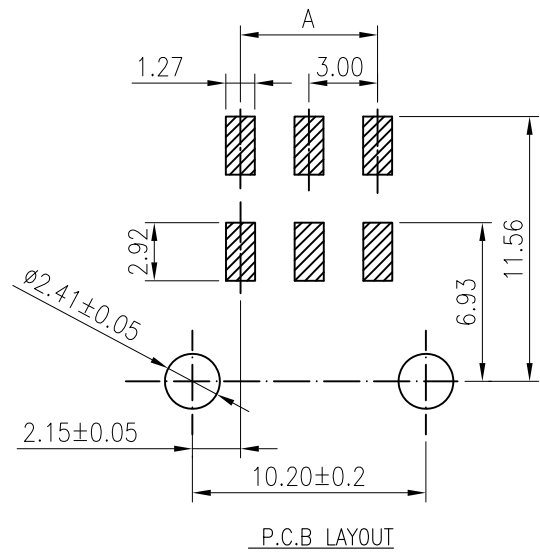
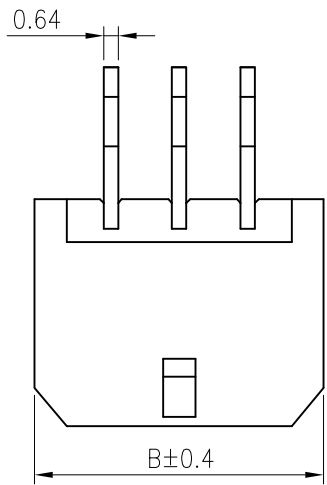
Material:
 Insulator: LCP UL 94V-0
 Contact: Brass
 press-fit: Brass
 Plating: Tin plated
 Circuits: 2~24
 Suitable: KR3000 series dual row Housing



www.krljq.com

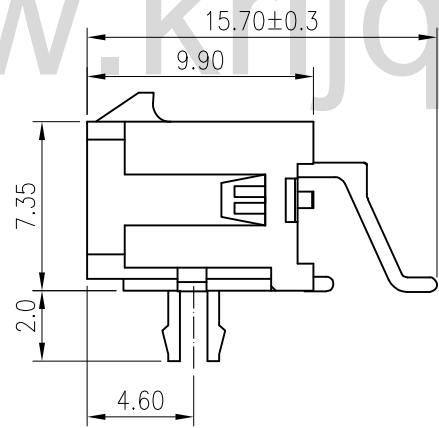
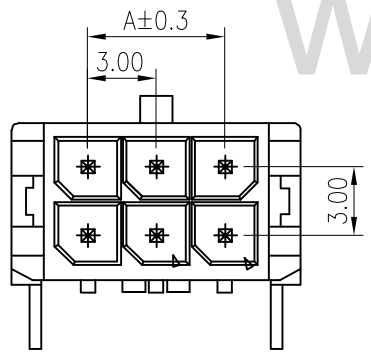
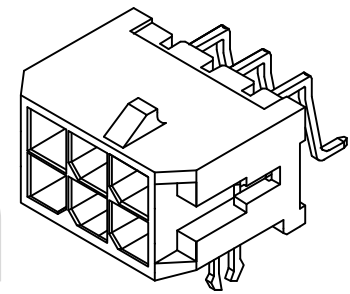
PART NO.	Dimension mm	
	A	B
C3000RS20130LP3A	----	6.65
C3000RS20230LP3A	3.0	9.65
C3000RS20330LP3A	6.0	12.65
C3000RS20430LP3A	9.0	15.65
C3000RS20530LP3A	12.0	18.65
C3000RS20630LP3A	15.0	21.65
C3000RS20730LP3A	18.0	24.65
C3000RS20830LP3A	21.0	27.65
C3000RS20930LP3A	24.0	30.65
C3000RS21030LP3A	27.0	33.65
C3000RS21130LP3A	30.0	36.65
C3000RS21230LP3A	33.0	39.65

			GENERAL TOLERANCE	UNIT: mm	DATE	TITLE: Molex 3.0 SMT dual row 90° Wafer with press-fit			东莞市康瑞电子有限公司 DongGuan A Rul Electronic Co. LTD.			
			.X ±0.3	X° ±1°	DRAWN: 朱佑武	2013.01.09	VER.	SCALE:	N/A	PROJ	PART NO.	C3000RS***30LP3A
			.XX ±0.2	.X°	CHECKED:		A	SHEET:	1/1	DRAWING NO. 3000WHS202-3-S		
LTR	NAME	DATE	VERISION RECORD	.XXX ±0.1	APPROVED: 周志龙	2013.01.09						
1	2	3	4	5	6	7	8	9				



- ◆ SPECIFICATIONS
- Current rating: 5A AC, DC
 - Voltage rating: 250V AC, DC
 - Temperature range: -25°C ~ +85°C
 - Insulation resistance: 1000MΩ Min.
 - Withstanding voltage: 1500V AC/ minute.
 - Contact resistance: 10m Ω Max.

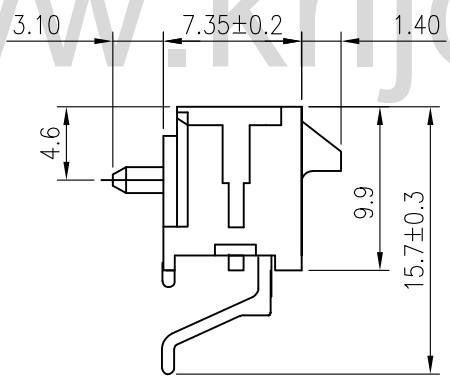
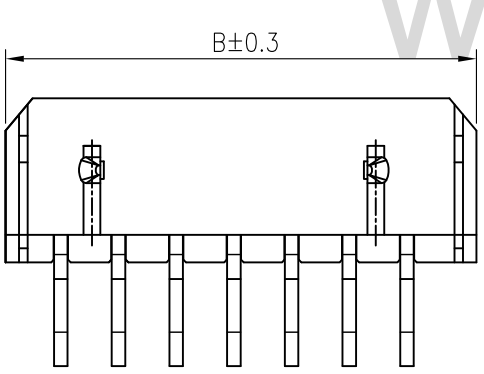
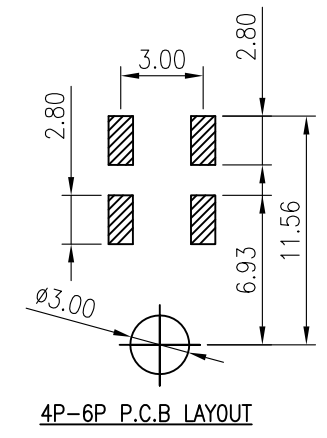
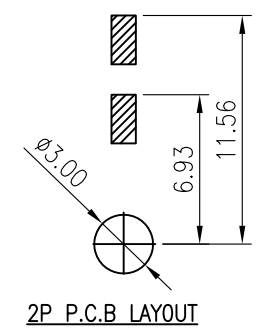
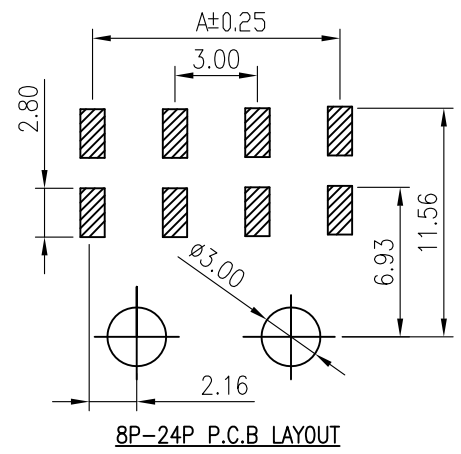
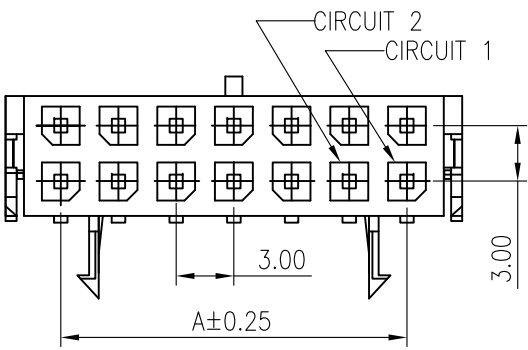
Material:
 Insulator: LCP UL 94V-0
 Contact: Brass
 press-fit: Brass
 Plating: Tin plated
 Circuits: 2~24
 Suitable: KR3000 series dual row Housing



PART NO.	Dimension	
	A	B
C3000RS20130LP3A1	---	6.65
C3000RS20230LP3A1	3.0	9.65
C3000RS20330LP3A1	6.0	12.65
C3000RS20430LP3A1	9.0	15.65
C3000RS20530LP3A1	12.0	18.65
C3000RS20630LP3A1	15.0	21.65
C3000RS20730LP3A1	18.0	24.65
C3000RS20830LP3A1	21.0	27.65
C3000RS20930LP3A1	24.0	30.65
C3000RS21030LP3A1	27.0	33.65
C3000RS21130LP3A1	30.0	36.65
C3000RS21230LP3A1	33.0	39.65

www.krljq.com

			GENERAL TOLERANCE	UNIT: mm	DATE	TITLE: Molex 3.0 SMT dual row 90° Wafer with press-fit(短体)					
			.X ±0.3 X° ±1°	DRAWN: 朱佑武	2013.01.09				PROJ	PART NO.	C3000RS***30LP3A1
			.XX ±0.2 .X°	CHECKED:		VER.	SCALE:	N/A			
LTR NAME DATE VERISION RECORD			.XXX ±0.1	APPROVED: 周志龙	2013.01.09	A	SHEET:	1/1	DRAWING NO. 3000WHS203-3-S		
1	2	3	4	5	6	7	8	9			



Material:
 Insulator: LCP UL 94V-0
 Contact: Brass
 Plating: Tin plated
 Circuits: 2~24
 Suitable: KR3000 series dual row Housing

- ◆ SPECIFICATIONS
- Current rating: 5A AC, DC
 - Voltage rating: 250V AC, DC
 - Temperature range: -25°C ~ +85°C
 - Insulation resistance: 1000MΩ Min.
 - Withstanding voltage: 1500V AC/ minute.
 - Contact resistance: 10mΩ Max.

PART NO.	Dimensions	
	A	B
C3000RS20130LP3C	---	6.65
C3000RS20230LP3C	3.0	9.65
C3000RS20330LP3C	6.0	12.65
C3000RS20430LP3C	9.0	15.65
C3000RS20530LP3C	12.0	18.65
C3000RS20630LP3C	15.0	21.65
C3000RS20730LP3C	18.0	24.65
C3000RS20830LP3C	21.0	27.65
C3000RS20930LP3C	24.0	30.65
C3000RS21030LP3C	27.0	33.65
C3000RS21130LP3C	30.0	36.65
C3000RS21230LP3C	33.0	39.65

△			
△			
△			
△			
LTR	NAME	DATE	VERISION RECORD
1	2	3	

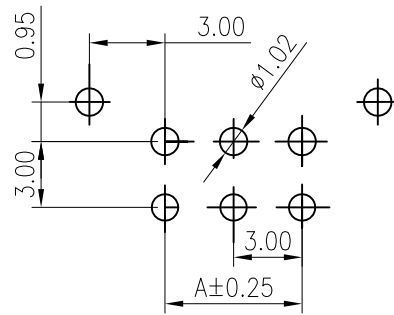
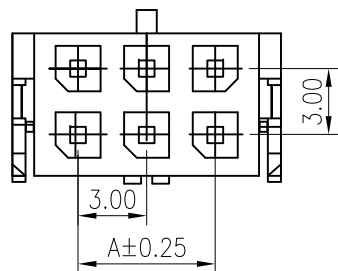
GENERAL TOLERANCE		UNIT: mm	DATE
.X ±0.3	X° ±1°	DRAWN: 朱佑武	2013.01.09
.XX ±0.2	.X°	CHECKED:	
.XXX ±0.1		APPROVED: 周志龙	2013.01.09

TITLE: Molex 3.0 SMT dual row 90° Wafer with lock

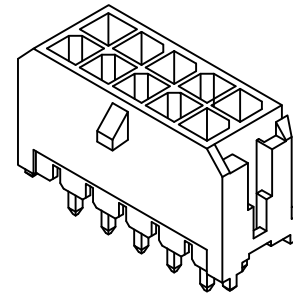
VER. SCALE: N/A PROJ PART NO. C3000RS***30LP3C

SHEET: 1/1 DRAWING NO. 3000WHS204-3-S

东莞市康瑞电子有限公司
DongGuan A Rui Electronic Co. LTD.

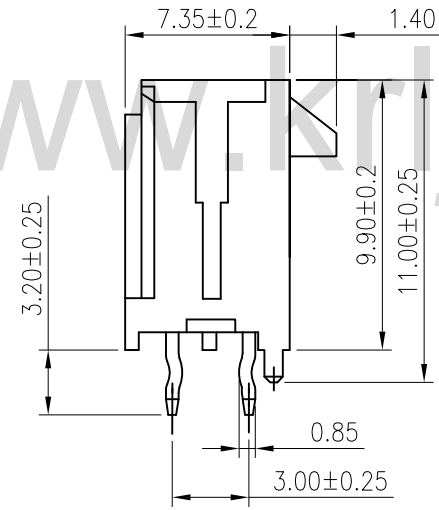
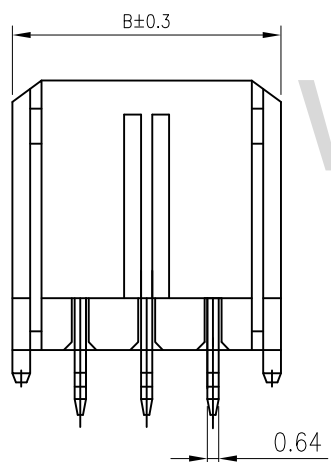


P.C.B LAYOUT



- ◆SPECIFICATIONS
- Current rating: 5A AC, DC
 - Voltage rating: 250V AC,DC
 - Temperature range: -25°C ~ +85°C
 - Insulation resistance: 1000MΩ Min.
 - Withstanding voltage: 1500V AC/ minute.
 - Contact resistance: 10m Ω Max.

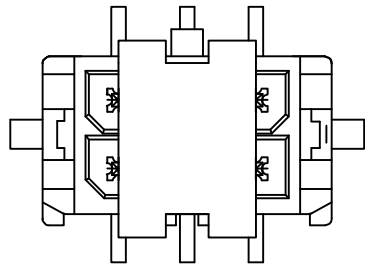
Material:
 Insulator: PA46 UL 94V-0
 Contact: Brass
 Plating: Tin plated
 Circuits: 2~24
 Suitable: KR3000 series dual row Housing



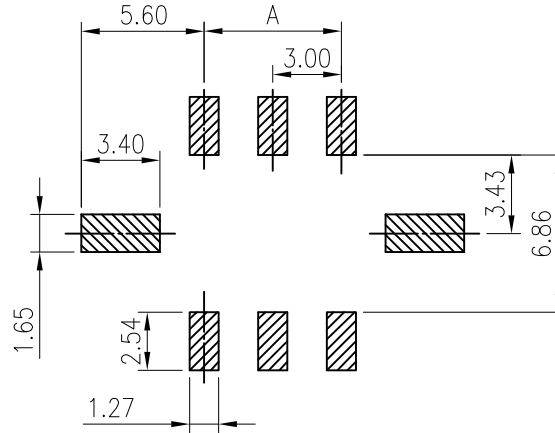
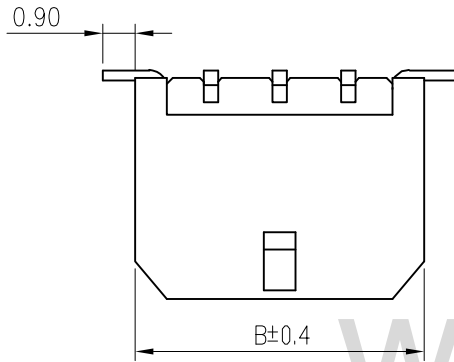
www.krijq.com

PART NO.	Dimension mm	
	A	B
C3000VD20130P440	----	6.65
C3000VD20230P440	3.0	9.65
C3000VD20330P440	6.0	12.65
C3000VD20430P440	9.0	15.65
C3000VD20530P440	12.0	18.65
C3000VD20630P440	15.0	21.65
C3000VD20730P440	18.0	24.65
C3000VD20830P440	21.0	27.65
C3000VD20930P440	24.0	30.65
C3000VD21030P440	27.0	33.65
C3000VD21130P440	30.0	36.65
C3000VD21230P440	33.0	39.65

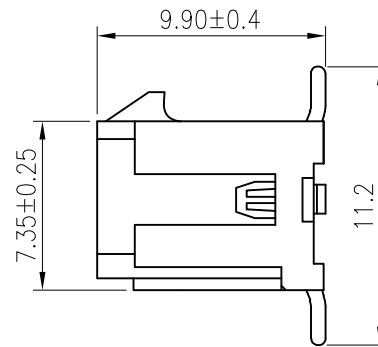
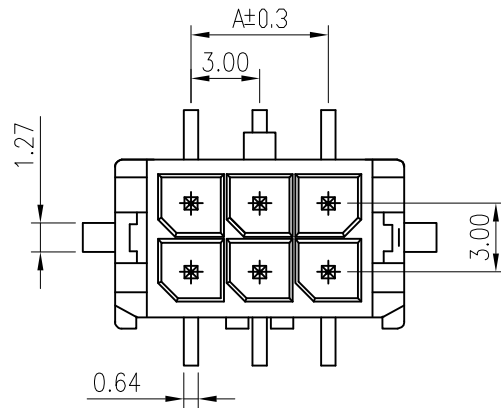
△		GENERAL TOLERANCE		UNIT: mm		DATE		TITLE: Molex 3.0 DIP 双排 180° Wafer			东莞市康瑞电子有限公司 DongGuan A Rul Electronic Co. LTD.			
△		.X ±0.3 X° ±1°		DRAWN: 朱佑武		2013.01.09		VER.		SCALE: N/A		PROJ		
△		.XX ±0.2 .X°		CHECKED:				A		SHEET: 1/1		PART NO. C3000VD***30P440		
△		.XXX ±0.1		APPROVED: 周志龙		2013.01.09		DRAWING NO.		3000WVD201-3-S				
LTR	NAME	DATE	VERISION RECORD											
1	2	3	4	5	6	7	8	9						



WITH COVER

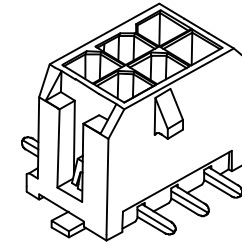


P.C.B. LAYOUT



- ◆ SPECIFICATIONS
- Current rating: 5A AC, DC
 - Voltage rating: 250V AC, DC
 - Temperature range: -25°C ~ +85°C
 - Insulation resistance: 1000MΩ Min.
 - Withstanding voltage: 1500V AC/ minute.
 - Contact resistance: 10mΩ Max.

Material:
 Insulator: LCP UL 94V-0
 Contact: Brass
 Solder nail: Brass
 Plating: Tin plated
 Circuits: 2~24
 Suitable: KR3000 series dual row Housing



PART NO.	Dimension mm	
	A	B
C3000VS20130LP2B	----	6.65
C3000VS20230LP2B	3.0	9.65
C3000VS20330LP2B	6.0	12.65
C3000VS20430LP2B	9.0	15.65
C3000VS20530LP2B	12.0	18.65
C3000VS20630LP2B	15.0	21.65
C3000VS20730LP2B	18.0	24.65
C3000VS20830LP2B	21.0	27.65
C3000VS20930LP2B	24.0	30.65
C3000VS21030LP2B	27.0	33.65
C3000VS21130LP2B	30.0	36.65
C3000VS21230LP2B	33.0	39.65

△				GENERAL TOLERANCE	UNIT: mm	DATE	TITLE: Molex 3.0 SMT dual row 180° Wafer with tab		
△				.X ±0.3	X° ±1°	DRAWN: 朱佑武	2013.01.09	VER.	SCALE: N/A
△				.XX ±0.2	.X°	CHECKED:		PROJ	PART NO. C3000VS***30LP2B
△				.XXX ±0.1		APPROVED: 周志龙	2013.01.09	A	SHEET: 1/1
LTR	NAME	DATE	VERSION RECORD					PROJ	DRAWING NO. 3000WVS201-3-S


东莞市康瑞电子有限公司
 DongGuan A Rul Electronic Co. LTD.

www.krljq.com

1 2 3 4 5 6 7 8 9

A

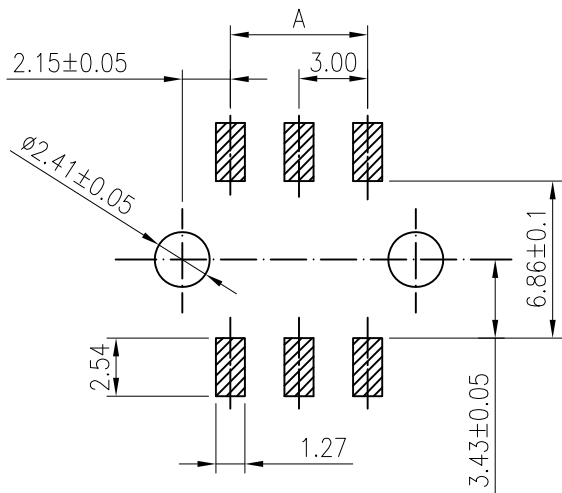
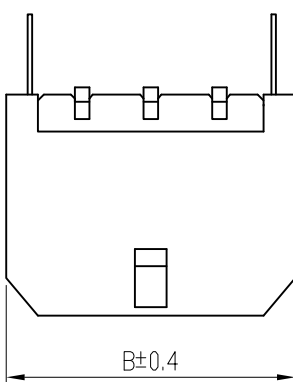
B

C

D

E

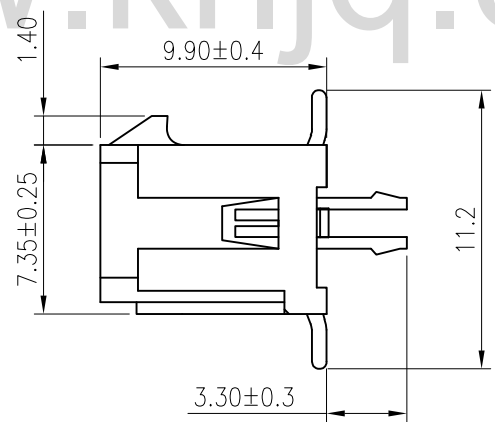
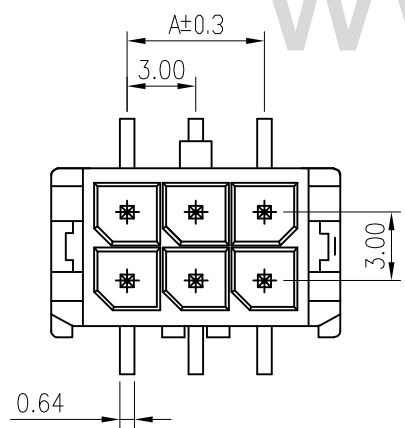
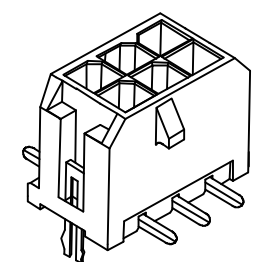
F



P.C.B. LAYOUT

- ◆ SPECIFICATIONS
- Current rating: 5A AC, DC
 - Voltage rating: 250V AC, DC
 - Temperature range: -25°C ~ +85°C
 - Insulation resistance: 1000MΩ Min.
 - Withstanding voltage: 1500V AC/ minute.
 - Contact resistance: 10mΩ Max.

Material:
 Insulator: LCP UL 94V-0
 Contact: Brass
 Press-fit: Brass
 Plating: Tin plated
 Circuits: 2~24
 Suitable: KR3000 series dual row Housing



www.krljq.com

PART NO.	Dimension mm	
	A	B
C3000VS20130LP3A	----	6.65
C3000VS20230LP3A	3.0	9.65
C3000VS20330LP3A	6.0	12.65
C3000VS20430LP3A	9.0	15.65
C3000VS20530LP3A	12.0	18.65
C3000VS20630LP3A	15.0	21.65
C3000VS20730LP3A	18.0	24.65
C3000VS20830LP3A	21.0	27.65
C3000VS20930LP3A	24.0	30.65
C3000VS21030LP3A	27.0	33.65
C3000VS21130LP3A	30.0	36.65
C3000VS21230LP3A	33.0	39.65

△				GENERAL TOLERANCE	UNIT: mm	DATE	TITLE: Molex 3.0 SMT dual row 180° Wafer with press-fit					
△				.X ±0.3	X° ±1°	DRAWN: 朱佑武	2013.01.09	VER.	SCALE: N/A	PROJ	PART NO.	C3000VS***30LP3A
△				.XX ±0.2	.X°	CHECKED:		A	SHEET: 1/1	⊕	DRAWING NO.	3000WVS202-3-S
△				.XXX ±0.1		APPROVED: 周志龙	2013.01.09					
LTR	NAME	DATE	VERISION RECORD									

 东莞市康瑞电子有限公司
DongGuan A Rul Electronic Co. LTD.

1 2 3 4 5 6 7 8 9