



佑華微電子股份有限公司

AM4EC Series

DATA SHEET

佑華微電子股份有限公司

新竹市光復路二段 295 號 9 樓之 1 號

電話: 03-573 6660

傳真: 03-573 6661

www.ealpha.com.tw

Alpha Microelectronics Corp.

9F-1, 295, Sec. 2, Kuang Fu Rd., Hsinchu, Taiwan

Tel : +886-3-573 6660

Fax: +886-3-573 6661

www.ealpha.com.tw

1.0 General Description

The AM4EC series are very low cost voice and melody synthesizer with 4-bits CPU. They have various features including 4-bits ALU, ROM, RAM, I/O ports, timers, clock generator, voice and melody synthesizer, and PWM (Direct drive) or D/A current outputs, etc. The audio synthesizer contains one voice-channel and two melody-channels. Furthermore, they consist of 27 instructions in these devices. With CMOS technology and halt function can minimize power dissipation. Their architectures are similar to RISC, with two stages of instruction pipeline. They allow all instructions to be executed in a single cycle, except for program branches and data table read instructions (which need two instruction cycles).

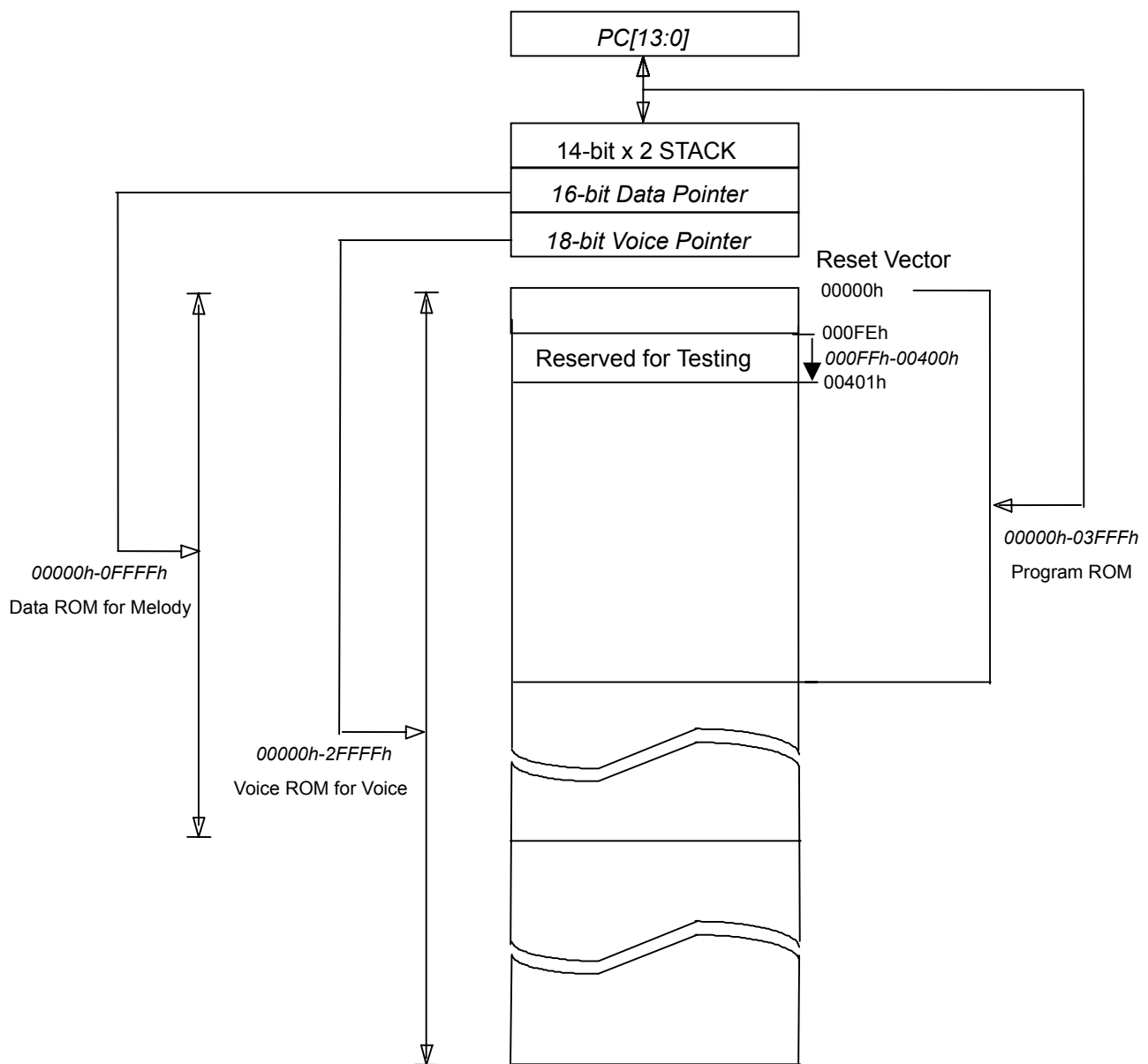
2.0 Features

- (1) Single power supply can operate from 2.2~5.5V at 4MHz or 3.6~5.5V at 8MHz.
- (2) Program ROM: 16k x 10 bits
- (3) 1 set of 16-bits DPR can access up to 64k x 10 bits melody data memory space, and 1 set of 18-bits VPR can access up to 256k x 10 bits voice data memory space.

Product	Voice Duration (sec)	Voice Pointer (VPR)	ROM Size (10-bit)
AM4EC005x	5	14-bits	16k
AM4EC010x	10	15-bits	32k
AM4EC015x	15	16-bits	48k
AM4EC020x	20	16-bits	64k
AM4EC031x	31	17-bits	96k
AM4EC041x	41	17-bits	128k
AM4EC052x	52	18-bits	160k
AM4EC063x	63	18-bits	192k

- (4) Data Registers:
 - a). 128 x 4-bits data RAM (00-7Fh)
(4EC005x/4EC010x are 96 x 4-bits data RAM 00-5Fh)
 - b). Unbanked special function registers (SFR) range: 00h-2Fh
- (5) I/O Ports:
 - a). PRA: 4-bits I/O Port A (10h) can be programmed to input/output individually. (Register control)
 - b). PRB: 4-bits I/O Port B (13h) can be configured to input/output individually. (Mask option)
- (6) On-chip clock generator: Resistive Clock Drive (**RM**)
- (7) Timer: 1-set Voice Interrupt (Timer0: a 9-bits auto-reload timer/counter).
- (8) Stack: 2-level subroutine nesting.
- (9) Built-in 4-level Volume Control can be programmed.
- (10) Built-in 8-level DAC current output can be configured. (Mask option)
- (11) Built-in IR Carrier Output: Port B[1] can be configured as IR pin by 38k / 56kHz. (Mask option)

- (12) External Reset: Port B[3] can be configured as reset pin. (Mask option)
- (13) HALT and Release from HALT function to reduce power consumption
- (14) Watch Dog Timer (**WDT**)
- (15) Instruction: 1-cycle instruction except for table read and program branches which are 2-cycles
- (16) Number of instruction: 27
- (17) DAC: 1 channel voice and dual tone melody synthesizer (One 9-bits Cout or 8-bits PWM output).

FIGURE 1 : ROM Map of AM4EC Series


3.0 Pin Description

Pad Name	Pin Attr.	Description
PWM2/Cout	O	PWM2 output, or Current Output of Audio.
PWM1	O	PWM1 output.
Vdd1~2	Power	Power supply during operation.
PRA0~3	I/O	I/O port can be programmed to input/output individually. Input type with weak pull-low or fix-input-floating capability. Buffer Output type.
PRB0, PRB2	I/O	I/O port can be configured to input/output individually. Input type with weak pull-low or fix-input-floating capability. Buffer Output type.
PRB1 / IR	I/O	I/O port can be configured to input/output individually. Input type with weak pull-low or fix-input-floating capability. Buffer Output type. <i>Mask option selected as an IR Carrier Output with 38k / 56kHz</i>
PRB3 / Reset	I/O	I/O port can be configured to input/output individually. Input type with weak pull-low or fix-input-floating capability. Buffer Output type. <i>Mask option selected as an external RESET pin with weak pull-low capability.</i>
OSC	I	RM mode Oscillator input
GND1~2	Power	Ground Potential

4.0 ABSOLUTE MAXIMUM RATING:

Symbol	Rating	Unit
Vdd~Vss	-0.5 ~ +7.0	V
Vin	$V_{ss}-0.3 < V_{in} < V_{dd}+0.3$	V
Vout	$GND < V_{out} < V_{dd}$	V
T _{op} (operating)	0 ~ +70	°C
T _{st} (storage)	-25 ~ +85	°C

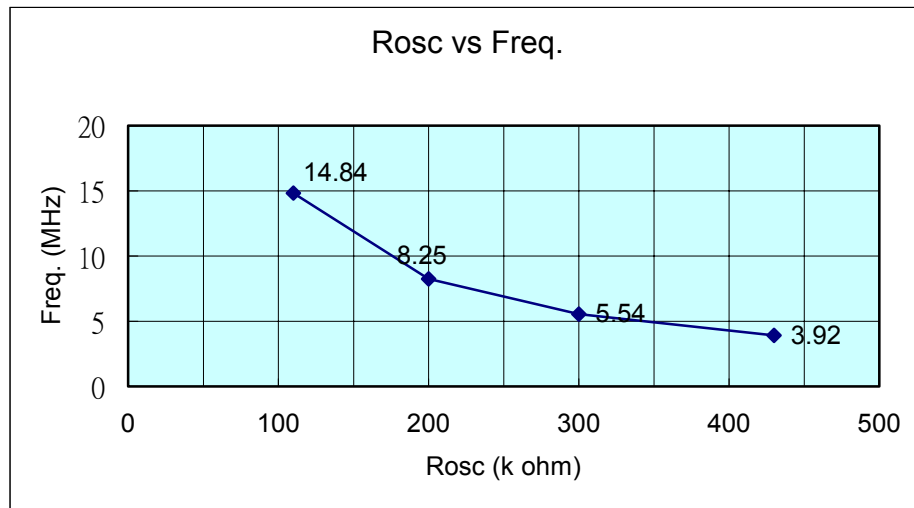
5.0 DC Characteristics

Symbol	Parameter	Vdd	Min.	Typ.	Max.	Unit	Condition
Vdd	Operating voltage		2.2	3	5.5	V	Fosc=4MHz
Isb	Supply current	Standby	3		1	uA	4MHz, RM, HALT Mode
			4.5		1		
Iop	Supply current	Operating	3	1		mA	4MHz, RM, no load
			4.5	2.5			
Iih	Input current (Internal pull low)	3		3		uA	Input ports with weak pull-low
		4.5		10			
Ioh	Output-high current	3		-4		mA	Voh=0.4V
		4.5		-10			Voh=1.0V
Iol	Output-low current	3		8.5		mA	Vol=2.0V
		4.5		19			Vol=2.6V
Ioh	PWM output current	3		-25		mA	Vdd=3V, Voh=2.4V
Iol		3		25			Vdd=3V, Vol=0.6V

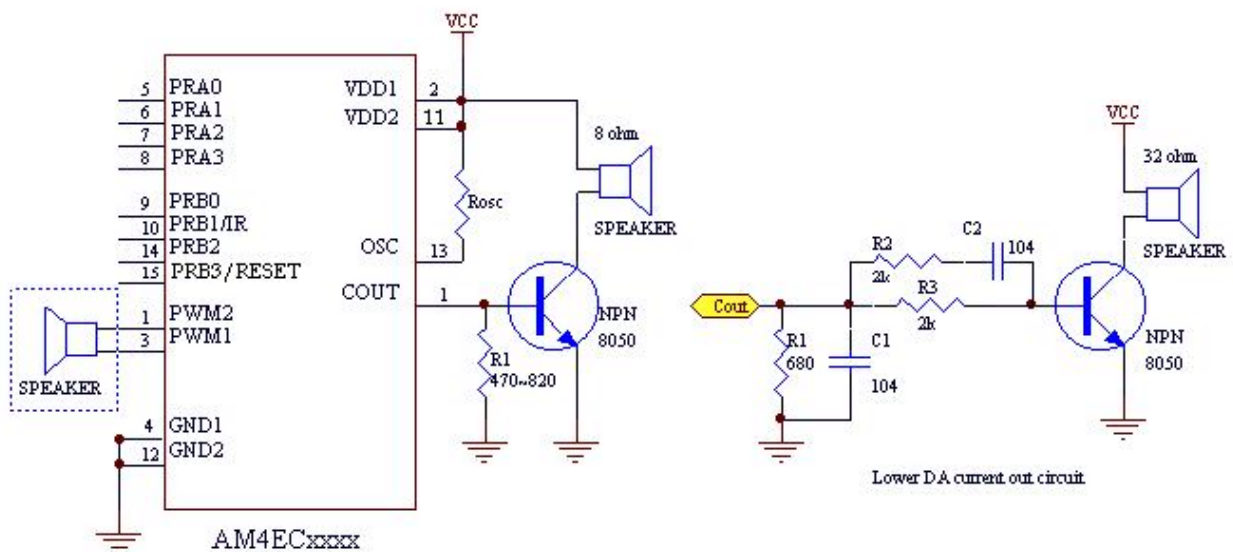
Cout	DAC output current (8-level option)	3	0.8 ~ 4.8		mA	4MHz, RM (Full scale)
		4.5	0.9 ~ 6.5			
dF/F	Frequency stability		-5		5	$\frac{F_{osc}(3V-2.4V)}{F_{osc}(3V)}$
dF/F	Fosc lot variation		-10		10	V _{dd} =3V, R _{osc} =430k, (~4MHz)

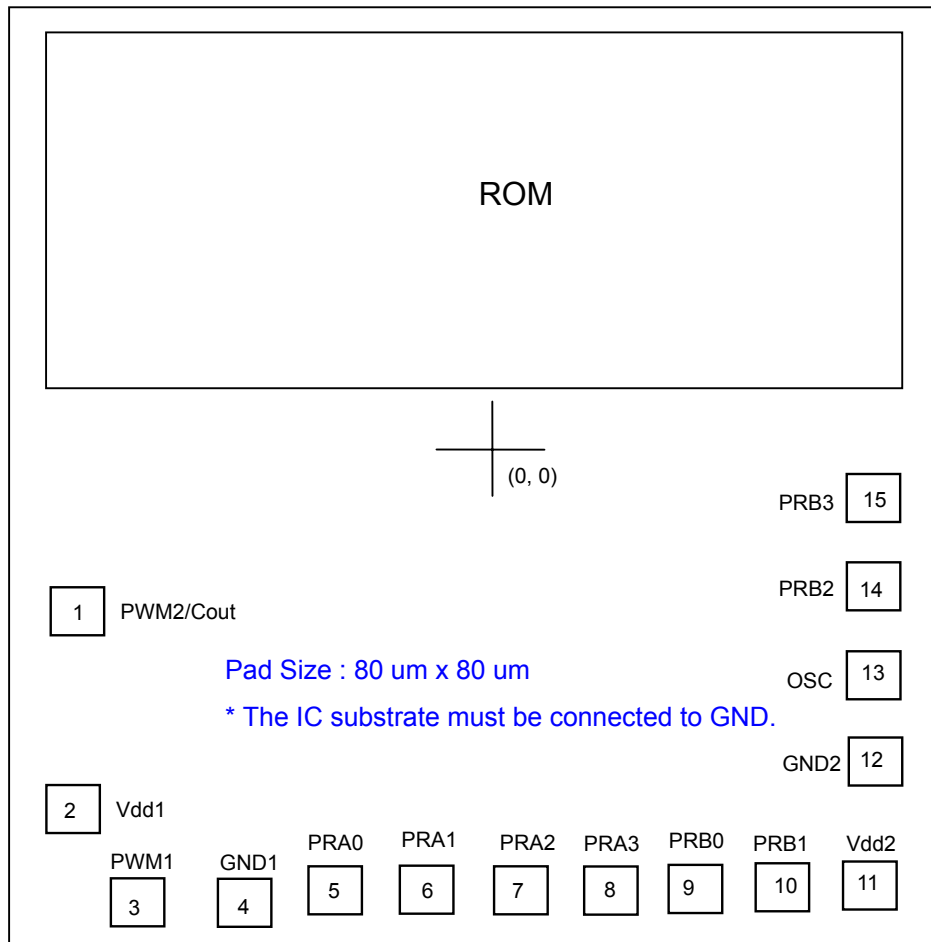
FIGURE 2 : Frequency vs. Rosc (at 3V)

Resistor (Rosc ohms)	110k	200k	300k	430k
Frequency (MHz)	14.84	8.25	5.54	3.92



6.0 Application Circuit



7.0 Bonding Diagram of AM4EC005x/AM4EC010x


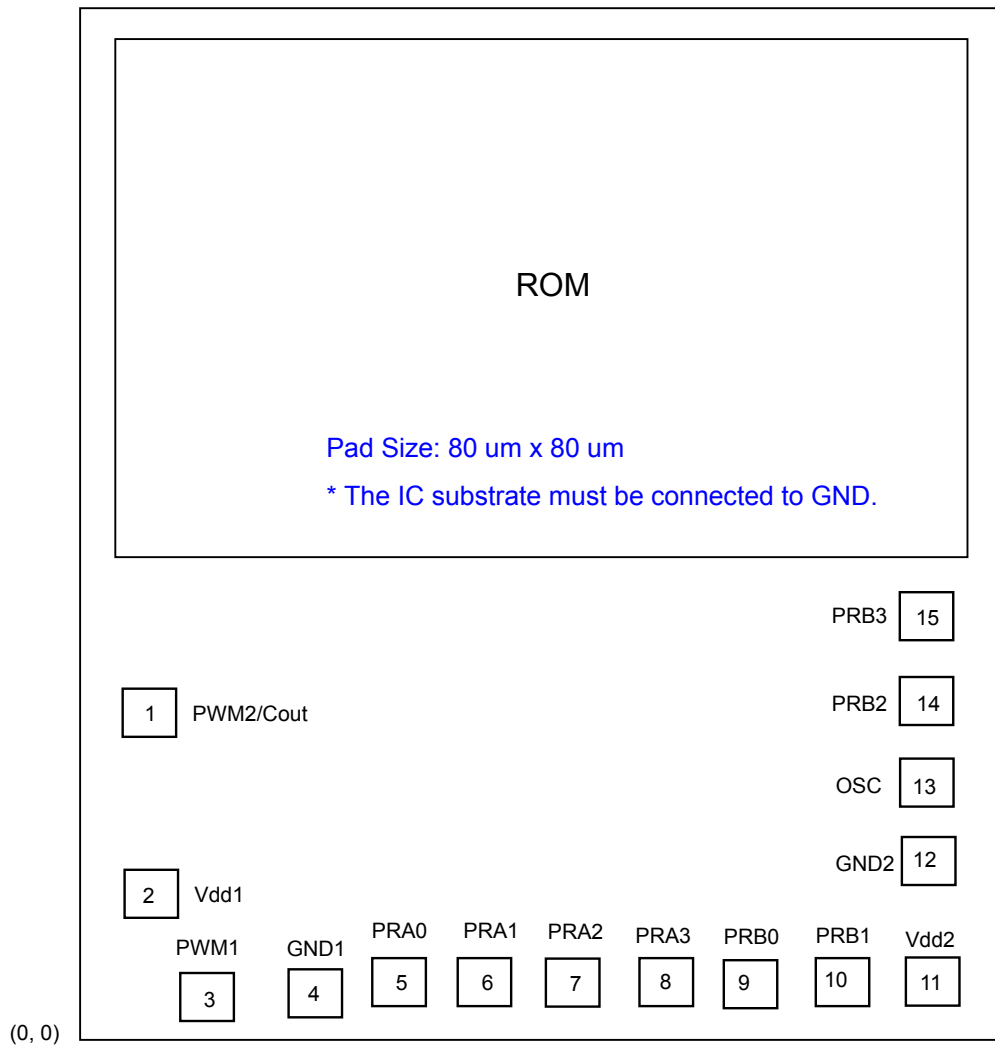
Pad #	Pad Name	X	Y	Pad #	Pad Name	X	Y
1	PWM2/Cout	-518	-195	9	PRB0	267	-574
2	Vdd1	-518	-479	10	PRB1	377	-574
3	PWM1	-431	-603	11	Vdd2	487	-574
4	GND1	-283	-603	12	GND2	489	-414
5	PRA0	-173	-574	13	OSC	489	-304
6	PRA1	-63	-574	14	PRB2	489	-194
7	PRA2	47	-574	15	PRB3	489	-84
8	PRA3	157	-574				

Chip Size :

AM4EC0057 : 1234 um x 1404 um

AM4EC005D : 1230 um x 1290 um

AM4EC0107 : 1234 um x 1404 um

7.1 Bonding Diagram of other AM4EC series


Pad #	Pad Name	X	Y	Pad #	Pad Name	X	Y
1	PWM2/Cout	58	466	9	PRB0	843	87
2	Vdd1	58	182	10	PRB1	953	87
3	PWM1	145	58	11	Vdd2	1063	87
4	GND1	293	58	12	GND2	1059	247
5	PRA0	403	87	13	OSC	1059	357
6	PRA1	513	87	14	PRB2	1059	467
7	PRA2	623	87	15	PRB3	1059	577
8	PRA3	733	87				

Chip Size :

AM4EC0157 : 1230 um x 1848 um,
 AM4EC0207 : 1230 um x 1848 um,
 AM4EC0317 : 1230 um x 1848 um,
 AM4EC041D : 1230 um x 2320 um,
 AM4EC052D : 1230 um x 2320 um,

AM4EC015D : 1230 um x 1630 um,
 AM4EC020D : 1230 um x 1630 um
 AM4EC0417 : 1230 um x 2528 um
 AM4EC0527 : 1230 um x 2528 um
 AM4EC0637 : 1230 um x 2528 um