

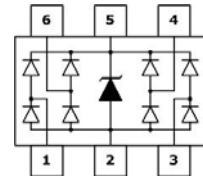
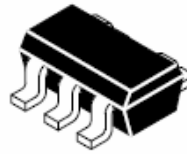
# TVS Product Specification

## BV\_SRV05-4 Low Capacitance TVS Array



### FEATURES

- 350 Watts peak pulse power( $t_p=8/20\mu\text{s}$ )
- Protects four I/O lines
- Low clamping voltage
- Small package: SOT23-6L



### IEC COMPATIBILITY

- IEC 61000-4-2(ESD) $\pm 15\text{KV}$ (air), $\pm 8\text{KV}$ (contact)
- IEC61000-4-4 (EFT) 40A (5/50ns)
- IEC61000-4-5 (Lightning) 12A (8/20 $\mu\text{s}$ )

### APPLICATIONS

- USB 2.0 Power and Data Line Protection
- Video Graphics Cards
- Monitors and Flat Panel Displays
- Digit Video Interface (DVI)
- 10/100/1000 Ethernet
- Notebook Computers
- ATM Interfaces

### Electrical Parameter @ $T=25^\circ\text{C}$ RH = 45%-75%

RATING	SYMBOL	VALUE	UNITS
Peak pulse power( $t_p=8/20\mu\text{s}$ waveform)	PPP	350	Watts
Lead soldering temperature	$T_L$	260(10sec)	$^\circ\text{C}$
operating temperature range	$T_J$	-55~150	$^\circ\text{C}$
Storage Temperature Range	$T_{STG}$	-55~150	$^\circ\text{C}$

### PART NUMBER AND ELECTRICAL PARAMETER @ $T=25^\circ\text{C}$ RH = 45%-75%

Part Number	Marking	VDRM	IDRM	VBR	IR	Vc	Ipp	Vc	Ipp	CO
		V	$\mu\text{A}$	V	mA	V	A	V	A	pF
			MAX	MIN		MAX		MAX		MAX
BV_SRV05-4	V05	5	5	6	1	12.5	1	17.5	5	3

- ①、Off-state capacitance is measured in  $V_{DC}=0\text{V}$ ,  $V_{RMS}=1\text{V}$ ,  $F=1\text{MHz}$
- ②、All measurements are made at an ambient temperature of  $25^\circ\text{C}$
- ③、Surge Waveform: 8/20 $\mu\text{s}$

### PART NUMBERING SYSTEM

**BV**      **SRV05-4**

(1)            (2)

(1) Bencent Transient Voltage Suppressor

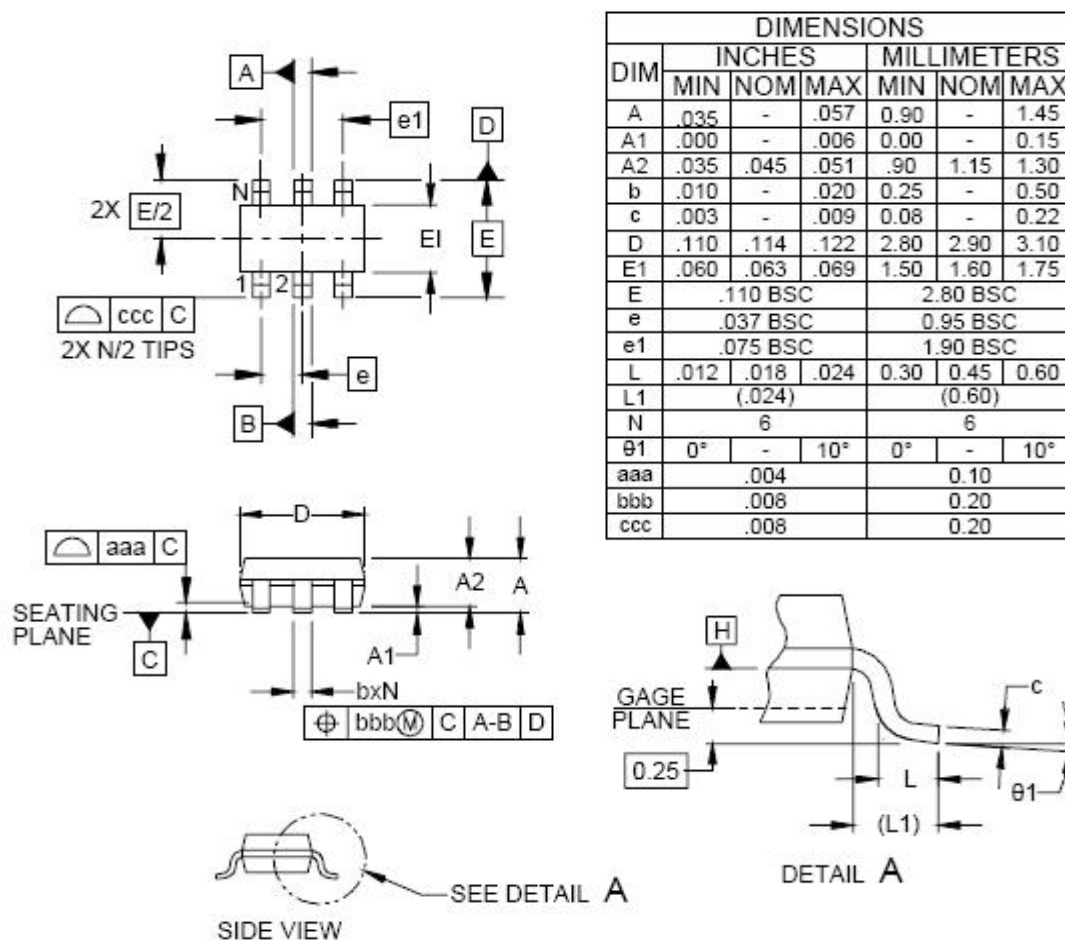
(2) Series: SRV05-4 etc.

# TVS Product Specification

## BV\_SRV05-4 Low Capacitance TVS Array



### DIMENSIONS AND MARKING



### PACKAGE REEL INFORMATION

OUTLINE	REEL (PCS)	PER CARTON (PCS)	REEL DIAMETERS (mm)	CARTON SIZE(mm)		
				L	W	H
TAPING	3,000	90,000	177	360	370	220

Remark:

### Special Notes

- 1、 Bencent Electronics Limited (BENCENT) reserves the right to make changes without further notice to its products herein.
- 2、 BENCENT does not assume any liability arising out of the application or usage of any product or circuit, and specifically disclaims any and all liability, including without limitation special, consequential or incidental damages.
- 3、 Any special usage must be authorized by BENCENT in advance; otherwise BENCENT does not take any liability of it.

Date Issued:2010/03