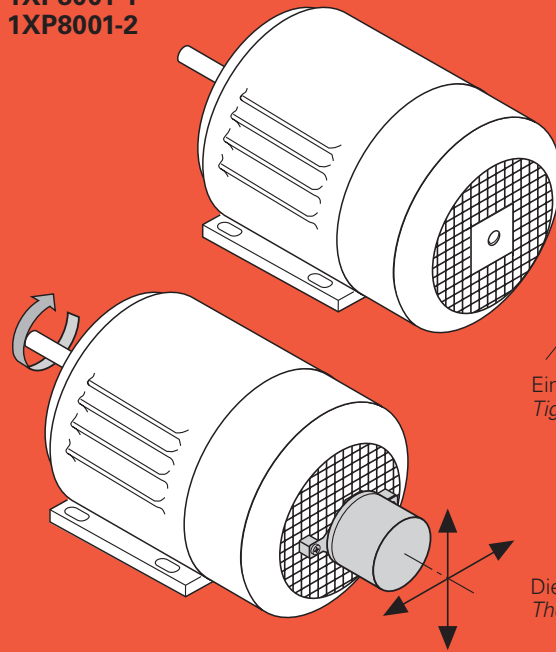


## SIEMENS

1XP8001-1  
1XP8001-2



Motorenwellenkonus und Innen-Gewinde reinigen  
*Clean the motor shaft taper and the internal thread*

Gewindesicherung Loctite 243 verwenden  
*Use screw retaining compound Loctite 243*

Einschraubmoment  $M_d \leq 7..9 \text{ Nm}$   
*Tightening torque  $M_d \leq 7..9 \text{ Nm}$*

Die leichte Taumelbewegung ist keine Funktionsbeeinträchtigung  
*The light wobble does not impair proper function*

# SIEMENS

Drehimpulsgeber  
*Rotary pulse encoder*  
Codeur rotatif d'impulsion  
*Emisor de impulsos (encoder)*  
Encoder impulsi di rotazione  
*Momentgevere*

**1XP8001-1**  
**1XP8001-2**

Montageanleitung  
*Mounting Instructions*  
Instructions de montage  
*Instrucciones de montaje*  
Istruzioni di montaggio  
*Montageanvisning*



5/2001

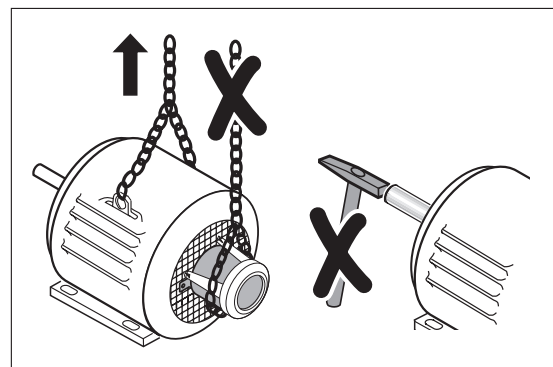
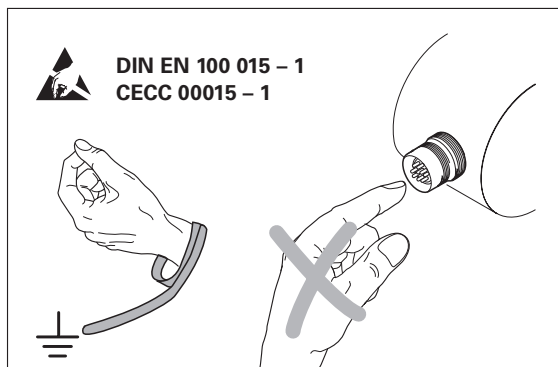
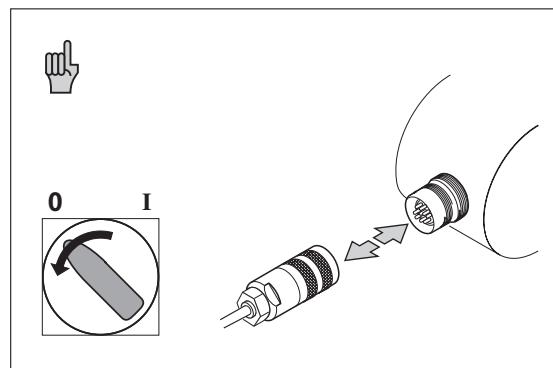
© Siemens AG 1994 All Rights Reserved

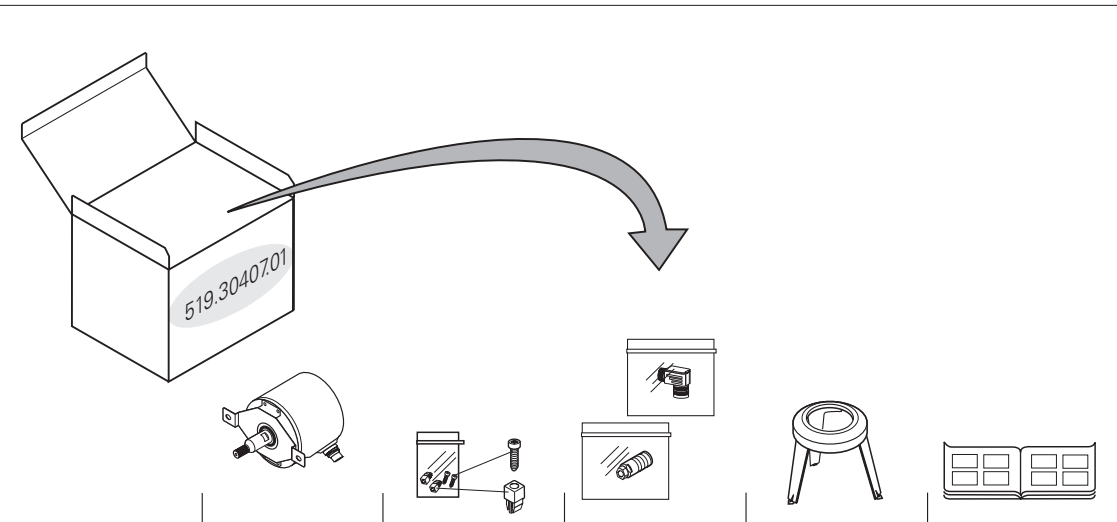
**Bestell - Nr. / Order No. : 517.30777.30**

DEUTSCH / ENGLISH / FRANÇAIS / ESPAÑOL / ITALIANO / SVENSK

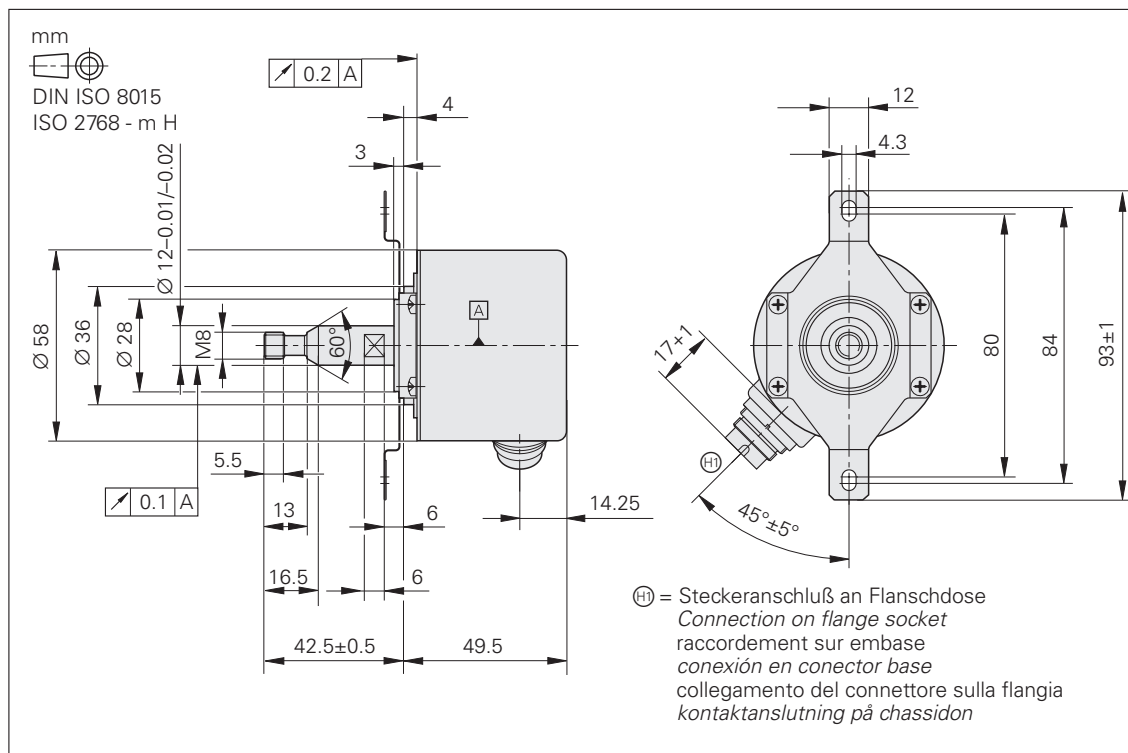


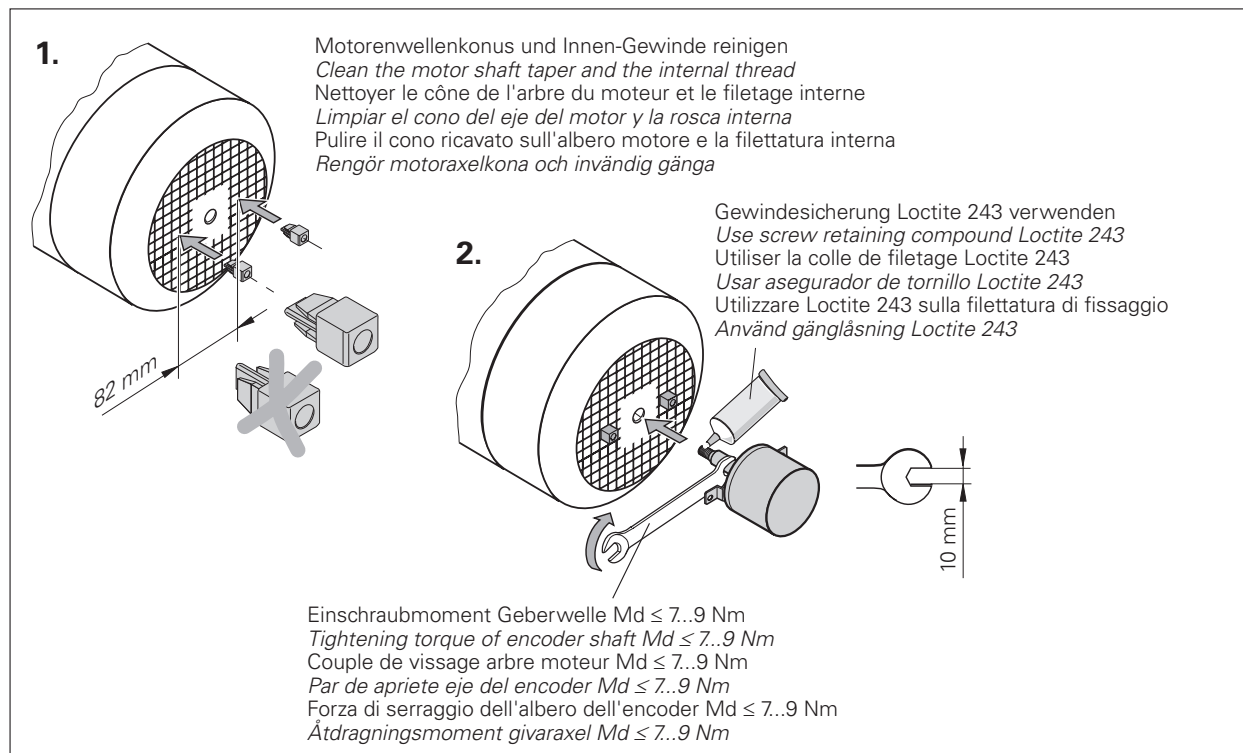
Maße in mm  
Dimensions in mm  
cotes en mm  
dimensioni in mm  
dimensiones en mm  
dimensioner i mm

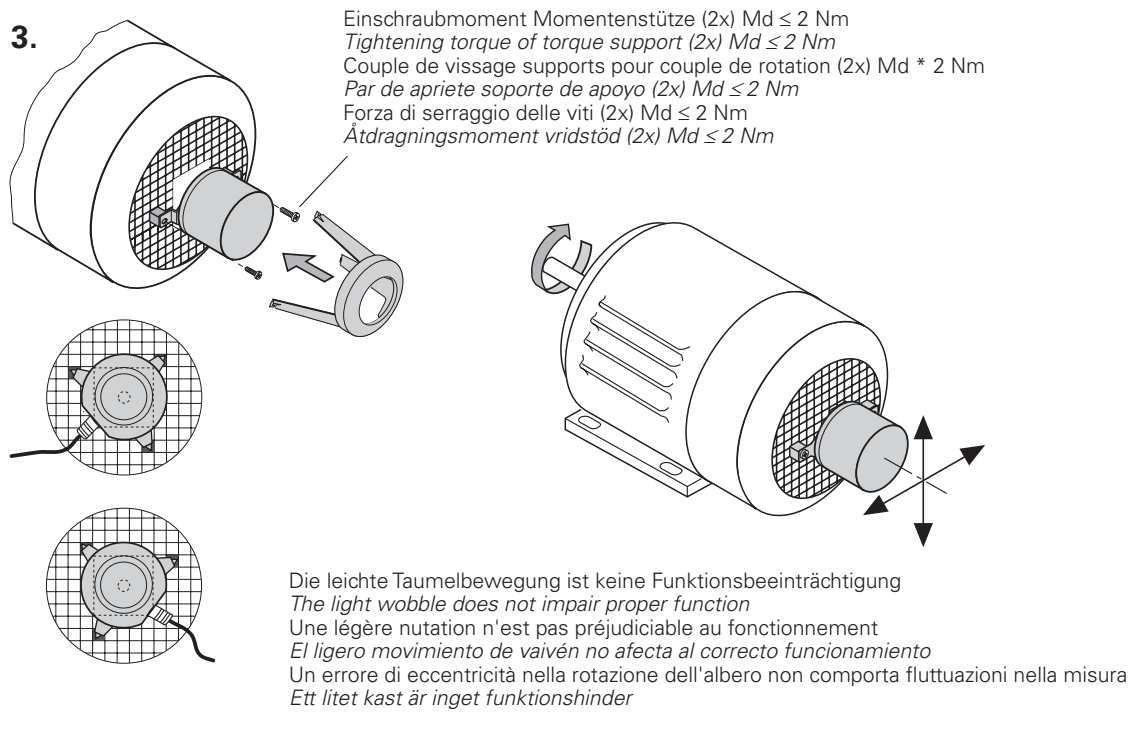


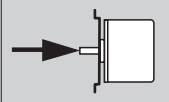
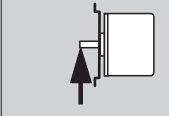
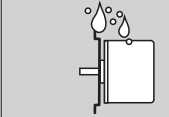



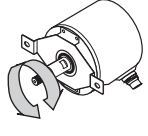
519.30407.01	1XP8001-1	839.40000.01	839.40001.01	099.20586.01	517.30777.30
519.30407.02	1XP8001-1	—	839.40001.02	—	517.30777.30
519.30407.03	1XP8001-2	839.40000.01	839.40001.01	099.20586.01	517.30777.30


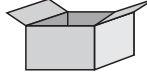




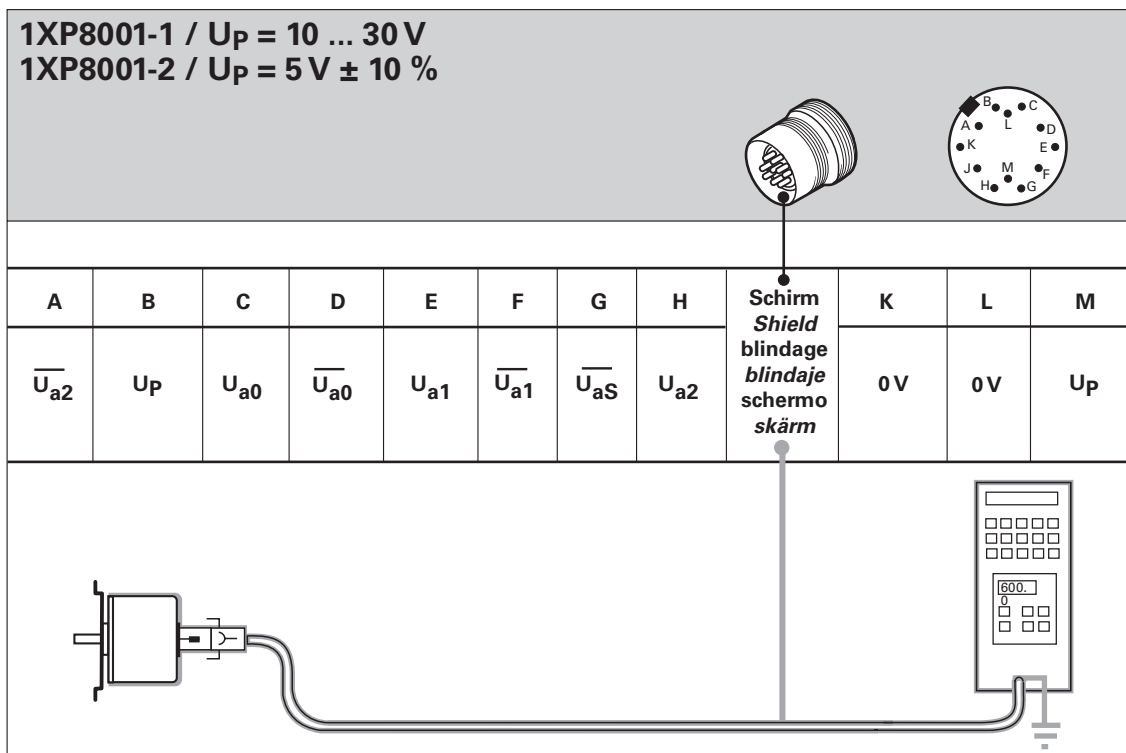


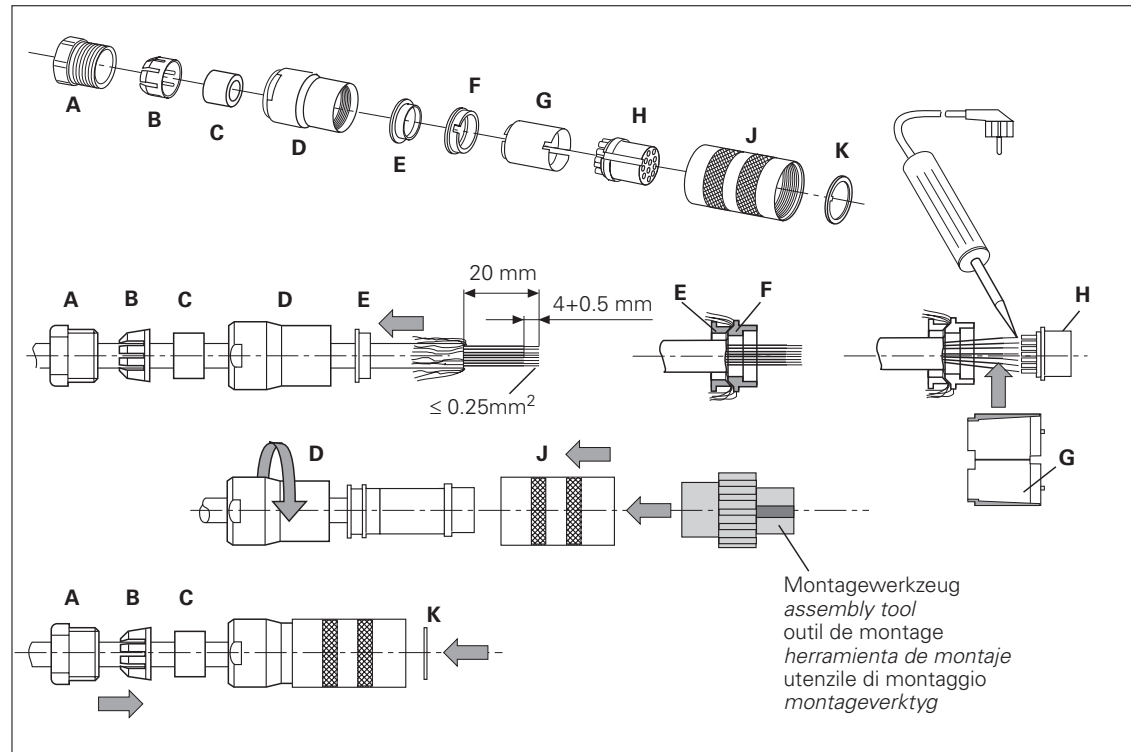
	max. <b>40 N</b> ( $\leq 9\,000\text{ min}^{-1}$ )
	max. <b>60 N</b> ( $\leq 9\,000\text{ min}^{-1}$ )
	<b>IP 66</b> EN 60 529

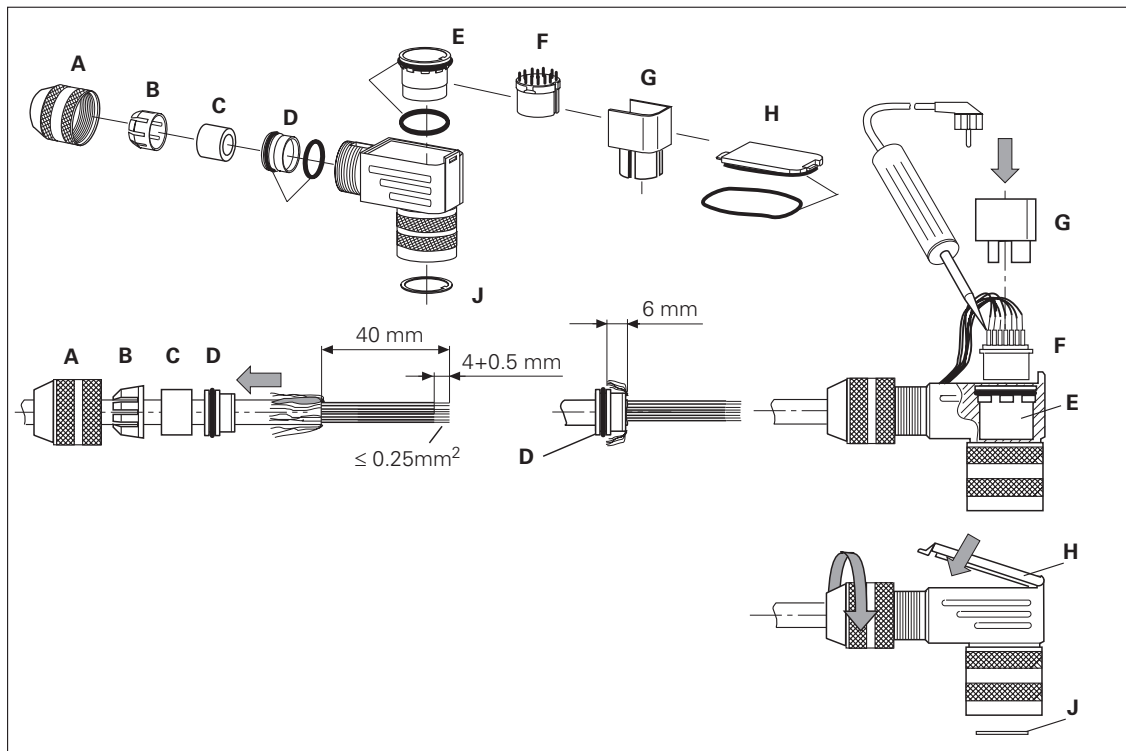
 °C (°F)	 <b>1XP8001-1</b> $U_p = 12.75 \dots 15.75\text{ V}$ -20 ... 100 °C (-4 ... 212 °F) $U_p = 10 \dots 30\text{ V}$ -20 ... 80 °C (-4 ... 176 °F) <b>1XP8001-2</b> $U_p = 5\text{ V} \pm 10\%$ -20 ... 100 °C (-4 ... 212 °F)
---	--

 °C (°F)	 -40 ... 80 °C (-40 ... 176 °F)
---	--

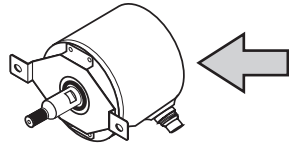








### 1XP8001-1



$L \leq 200 \text{ m}$   $U_P = 12.75 \dots 15.75 \text{ V}$  (max. 200 mA,  $U_{a1}$ ,  $U_{a2}$ ,  $U_{a0}$ ,  $\overline{U_{aS}}$ )

$L \leq 300 \text{ m}$   $U_P = 10 \dots 30 \text{ V}$  (max. 350 mA,  $\frac{U_{a1}}{U_{a1'}}$ ,  $\frac{U_{a2}}{U_{a2'}}$ ,  $\frac{U_{a0}}{U_{a0'}}$ ,  $\frac{U_{aS}}{U_{aS'}}$ )

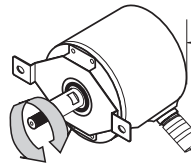


EN 50178

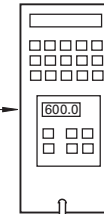
### 1XP8001-1

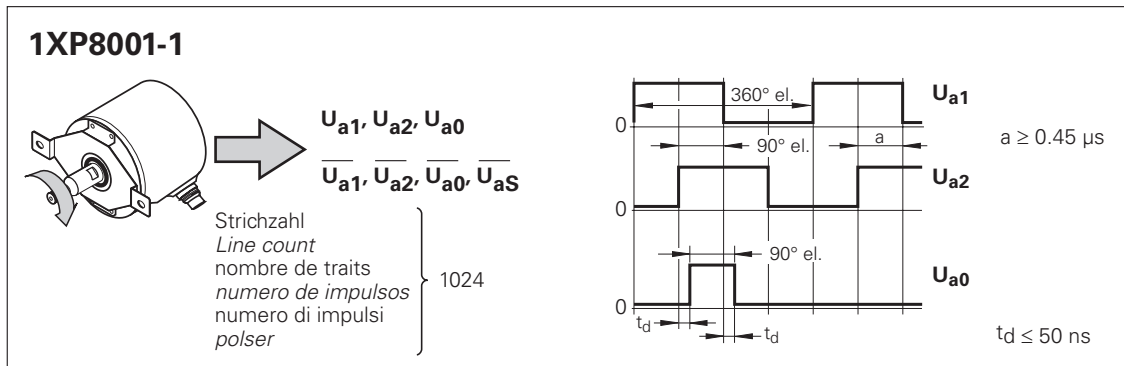
$$n [\text{min}^{-1}] \leq \frac{f_{\text{max}} [\text{kHz}]}{Z} \cdot 10^3 \cdot 60 \text{ min}^{-1} \begin{cases} L \leq 100 \text{ m} & f_{\text{max}} \leq 160 \text{ kHz} (U_{a1}, U_{a2}, U_{a0}, \overline{U_{aS}}) \\ L \leq 200 \text{ m} & f_{\text{max}} \leq 120 \text{ kHz} (U_{a1}, U_{a2}, U_{a0}, \overline{U_{aS}}) \\ L \leq 300 \text{ m} & f_{\text{max}} \leq 160 \text{ kHz} (\frac{U_{a1}}{U_{a1'}}, \frac{U_{a2}}{U_{a2'}}, \frac{U_{a0}}{U_{a0'}}, \frac{U_{aS}}{U_{aS'}}) \end{cases}$$

Z = Strichzahl  
Line count  
nombre de traits  
numero de impulsos  
numero di impulsi  
polser



L

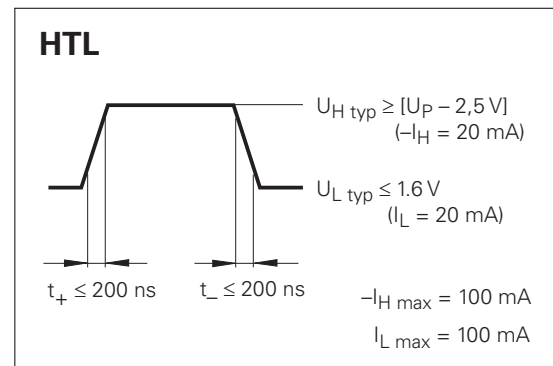


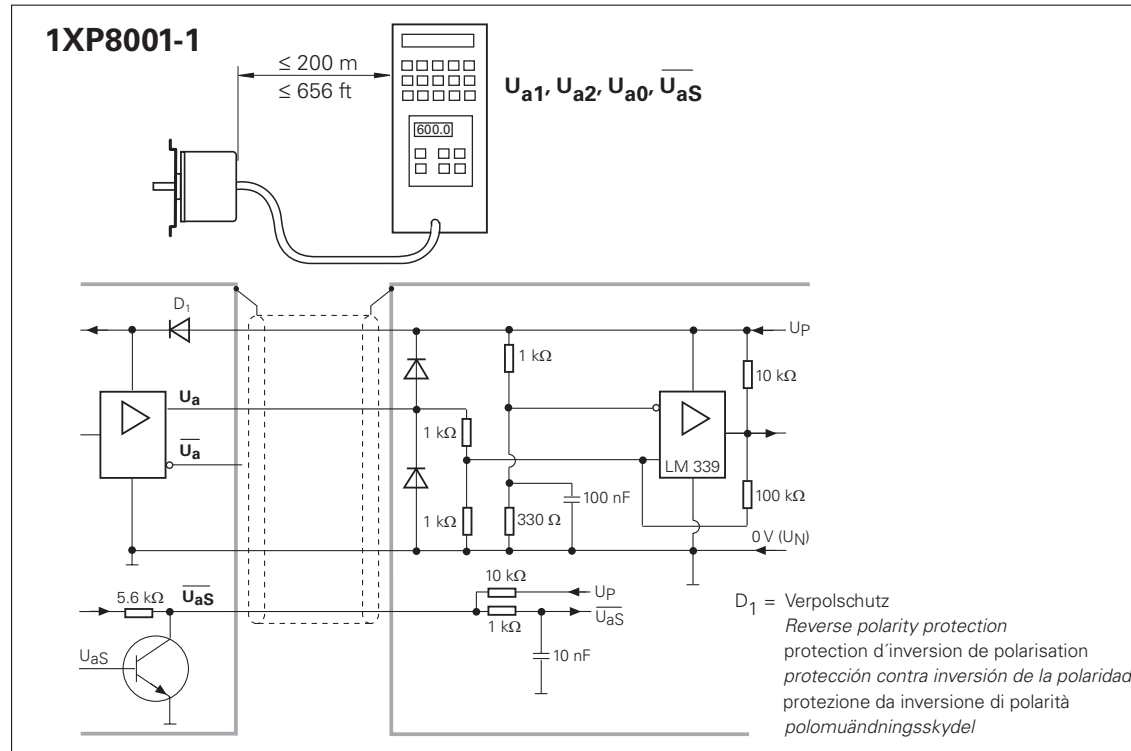


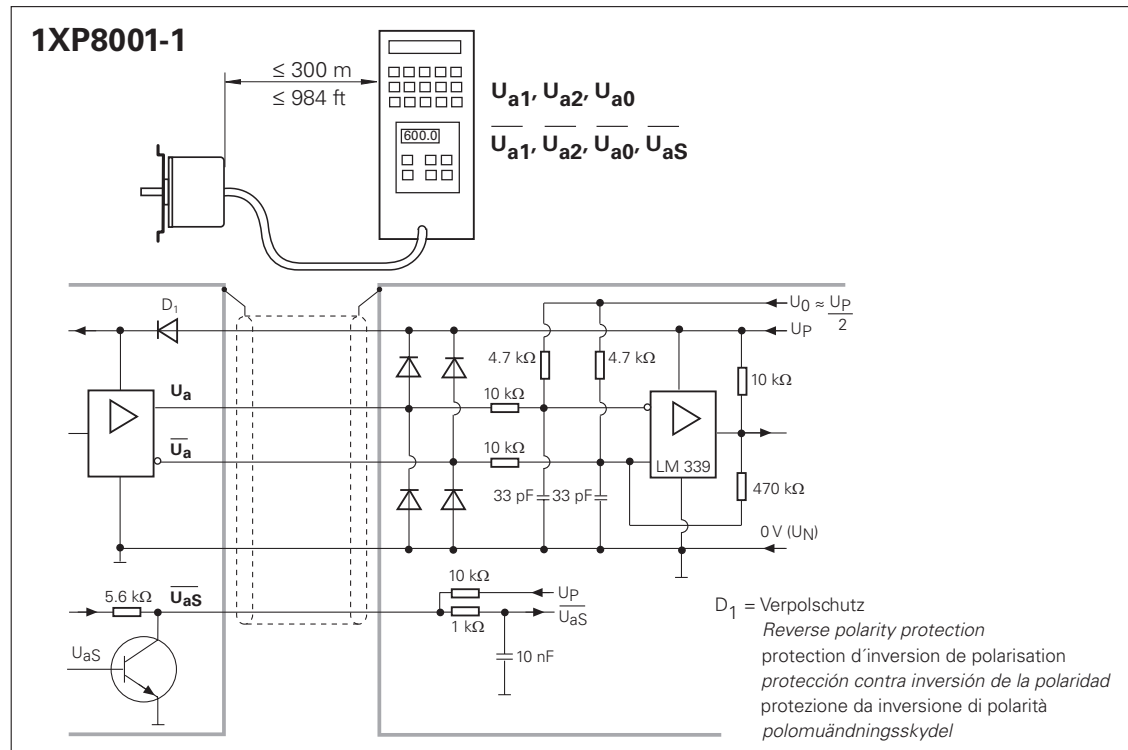
$\overline{U_{aS}}$ : Störungssignal  
 Fault detection signal  
 signal de perturbation  
 señal de avería  
 segnale di malfunzionamento  
 störsignal

$\overline{U_{aS}} = \text{High}$ : ✓

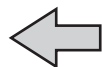
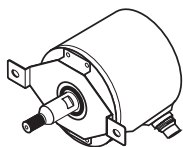
$\overline{U_{aS}} = \text{Low}$ : ⚠







### 1XP8001-2



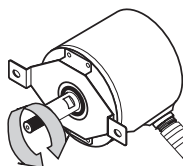
$U_p = 5 V \pm 10 \% \text{ (max. 150 mA)}$



EN 50 178

### 1XP8001-2

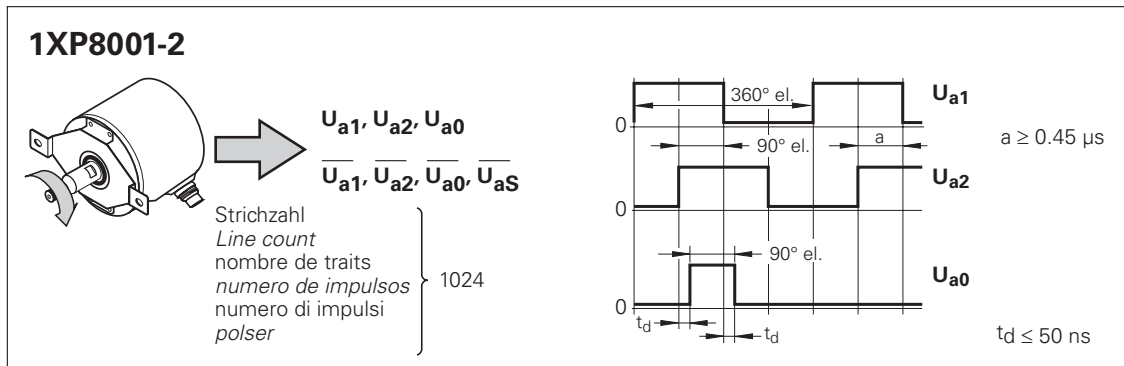
$$n [\text{min}^{-1}] \leq \frac{300 [\text{kHz}]}{Z} \cdot 10^3 \cdot 60 \text{ min}^{-1} \leq 12\,000 \text{ min}^{-1}$$



Z = Strichzahl  
*Line count*  
nombre de traits  
*numero de impulsos*  
numero di impulsi  
*polser*



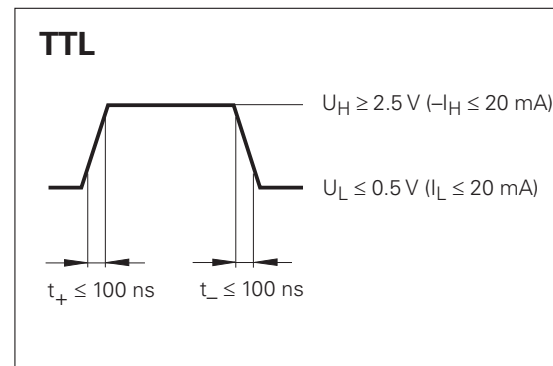


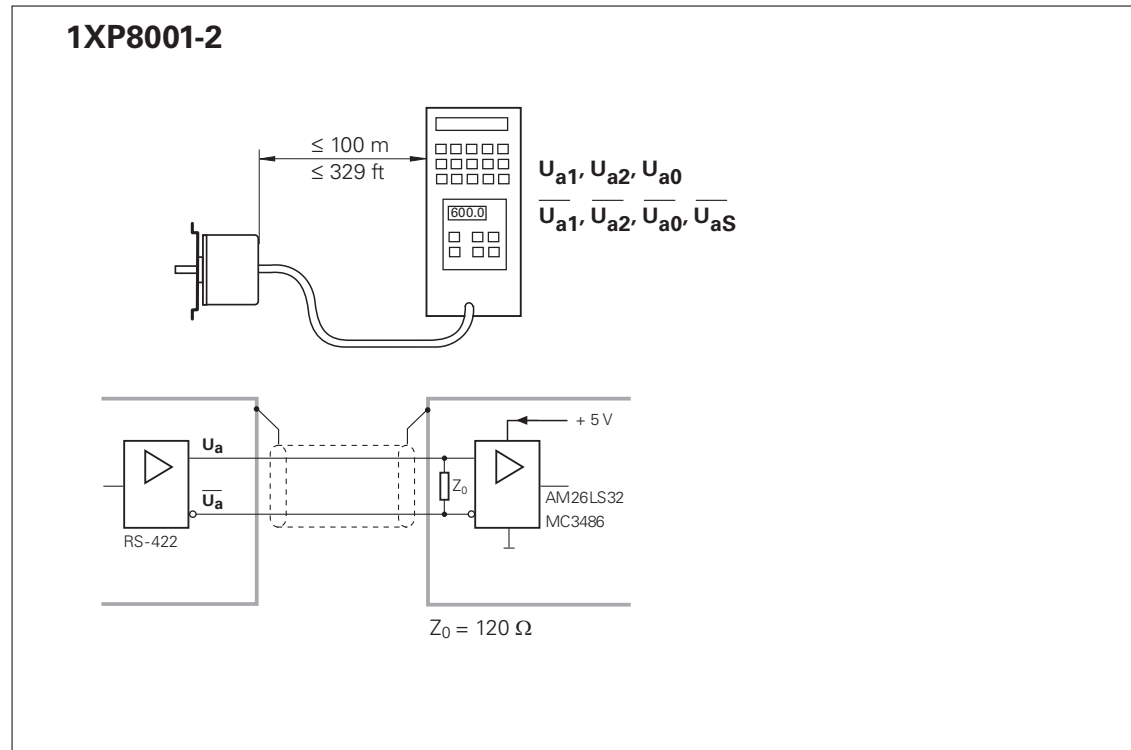


$\overline{U_{aS}}$ : Störungssignal  
 Fault detection signal  
 signal de perturbation  
 señal de avería  
 segnale di malfunzionamento  
 störsignal

$\overline{U_{aS}} = \text{High}$ : ✓

$\overline{U_{aS}} = \text{Low}$ : ⚠





西门子编码器技术说明书 **1XP8001 1XP8001-1/1024 1XP8001-1**  
 SIEMENS 编码器 西门子旋转编码器 SIEMENS 旋转编码器 rotary encoder

**全国统一查询电话 4006-022-002**

北京顺途科技有限公司 [www.shuntu.net](http://www.shuntu.net) 在线查询 [shunto@126.com](mailto:shunto@126.com)

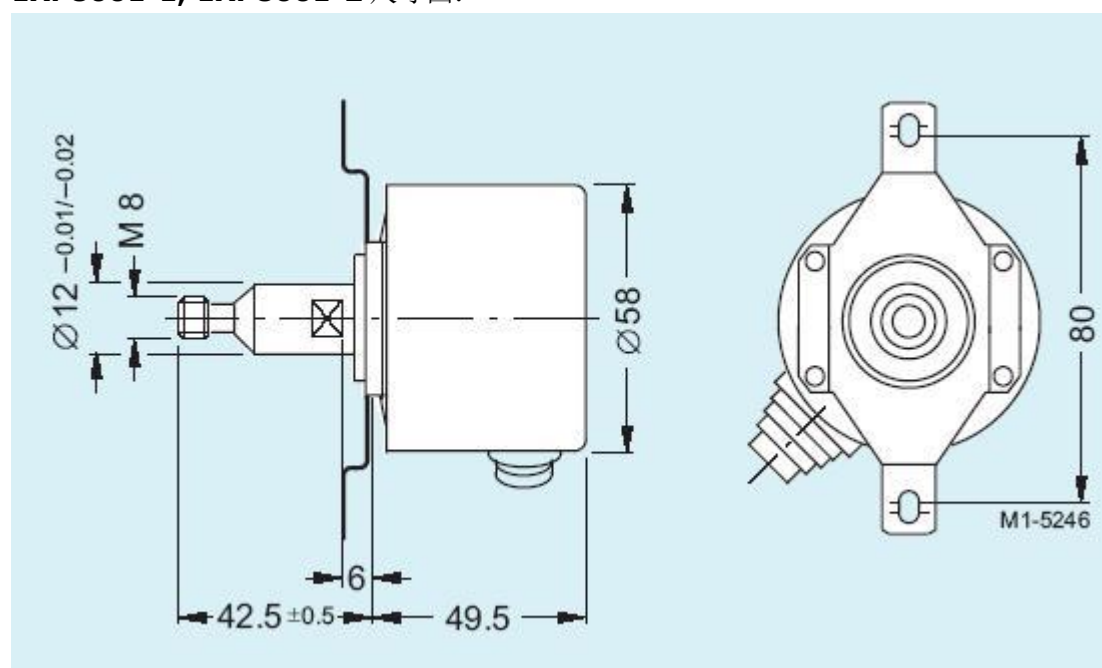
北京 **010-68008 911** (Beijing) 现货 **1XP8001-1** 广东省 深圳 **0755-83656701**

(Shenzhen) 实时查询 [www.omrons.com.cn](http://www.omrons.com.cn) 江苏省 无锡 0510-81157933

电源	<b>1XP8001-1 (HTL)</b> 推拉式、推挽式输出 <b>+10 +30V</b>	<b>1XP8001-2 (TTL)</b> 长线差分驱动 <b>+5 ± 30V</b>
无负载时输入	200mA	150mA
最大负载电流	100mA	20mA
分辨率	1024	1024
两相输出相位差	90 度 ± 20%	90 度 ± 20%
输出振幅 <b>U</b>	U 高 > U <sub>B</sub> -3.5V U 低 < 3V	U 高 > 2.5V U 低 < 0.5V
频率范围	0.8 mc 至 160 KHz	0.45 mc 至 300KHz
最高转速	9000 /MIN	12000/MIN
保存温度	-20 C 到 80 C	-20 C 到 100 C
防护等级	IP66	IP66
最大径向受力	60N	60N
最大轴向受力	40N	40N
系统输出	12- PIN	12- PIN
认证	CSA, UL	CSA, UL
重量	0,3 Kg	0,3 Kg

**1XP8001-1/1024, 1XP8001-2/1024, 1XP8001-1/2048, 1XP8001-2/2048**

**1XP8001-1, 1XP8001-2** 尺寸图:



**1XP8001-1/1024, 1XP8001-2/1024,1XP8001-1/2048,1XP8001-2/2048**  
**1XP8001** 西门子编码器 **1XP8001-1/1024(推荐型号)** 实际照片 **1XP8001-1**



北京顺途科技有限公司 [www.shuntu.net](http://www.shuntu.net) 在线查询 [shunto@126.com](mailto:shunto@126.com)  
北京 010-68008 911 (Beijing) 现货 **1XP8001-1** 广东省 深圳 0755-83656701  
(Shenzhen) 实时查询 [www.omrons.com.cn](http://www.omrons.com.cn) 江苏省 无锡 0510-81157933  
西门子旋转编码器型号: **1XP8001; 1XP8001-1; 1XP8001-1/1024;**  
**1XP8001-1/2048; 1XP8001-2; 1XP8001-2/1024; 1XP8001-2/2048;**  
**1XP8002; 1XP8002-1; 1XP8002-1/1024; 1XP8002-1/512; 1XP8011;**  
**1XP8011-1; 1XP8011-1/1024; 1XP8011-1/2048; 1XP8012; 1XP8012-10;**  
**1XP8012-10/1024; 1XP8012-10/2048; 1XP8012-10/512; 1XP8012-11;**  
**1XP8012-12; 1XP8014-10; 1XP8022; [shunto@126.com](mailto:shunto@126.com) ; 1XP8022-10;**  
**1XP8022-10/2048; 1XP8022-10/1024; 1XP8022-11; 1XP8022-11/1024;**  
**1XP8022-11/2048; IXP8001; IXP8001-1; IXP8001-1/1024;**  
**IXP8001-1/2048; IXP8001-2; IXP8001-2/1024, IXP8001-2/2048;**  
**IXP8002; IXP8002-1; IXP8002-1/1024; IXP8002-1/512; IXP8011;**  
**IXP8011-1; IXP8011-1/1024; IXP8011-1/2048; IXP8012; IXP8012-10;**  
**IXP8012-10/1024; IXP8012-10/2048; IXP8012-10/512; IXP8012-11;**  
**IXP8012-12; IXP8014-10; IXP8022; IXP8022-10/1024;**  
**IXP8022-10/2048; IXP8022-10; IXP8022-11; IXP8022-11/1024;**  
**IXP8022-11/2048;**