

# POSITAL

FRABA

## TILTIX Inclinometer

ACS-090-1-SC00-VE2-PM



### General Specifications

Application	1-Axis Position Monitoring and Leveling
Measurement Range	90°
Absolute Accuracy	0.10°
Resolution	0.01°

# POSITAL

## FRABA

### Electrical Specifications

Supply Voltage	15 - 30 V DC (On power supplies comply with EN 50178)
Power Consumption (no load)	≤0.7 W
EMC Emitted Interference	DIN EN 61000-6-4
EMC: Noise Immunity	DIN EN 61000-6-2
Reverse Polarity Protection	Yes
Short Circuit Protection	Yes

### Environmental Specifications

Operating Temperature	-40 °C (-40 °F) - +85 °C (+185 °F)
Storage Temperature	-40 °C (-40 °F) - +85 °C (+185 °F)
Temperature Gradient	0.004°/ K
Protection Class	IP54, IP64 - IP69K (EN 60529)
Shock Resistance	≤100 g (half sine 6 ms, EN 60068-2-27)
Vibration Resistance	1.5 mm (10 Hz - 58 Hz) & ≤ 20 g (58 Hz to 2000 Hz)

### Mechanical Specifications

Housing Type	1E3-47x52
Housing Material	Fibre-Reinforced PBT (Polybutylene Terephthalate)
Potting Material	PUR (Polyurethane)
Weight	0 (0.00 lb)

### Certificates / Lifetime

MTTF	300 years
Electrical Lifetime	>10 <sup>5</sup> h
Certificates	CE

### Interface

# POSITAL

## FRABA

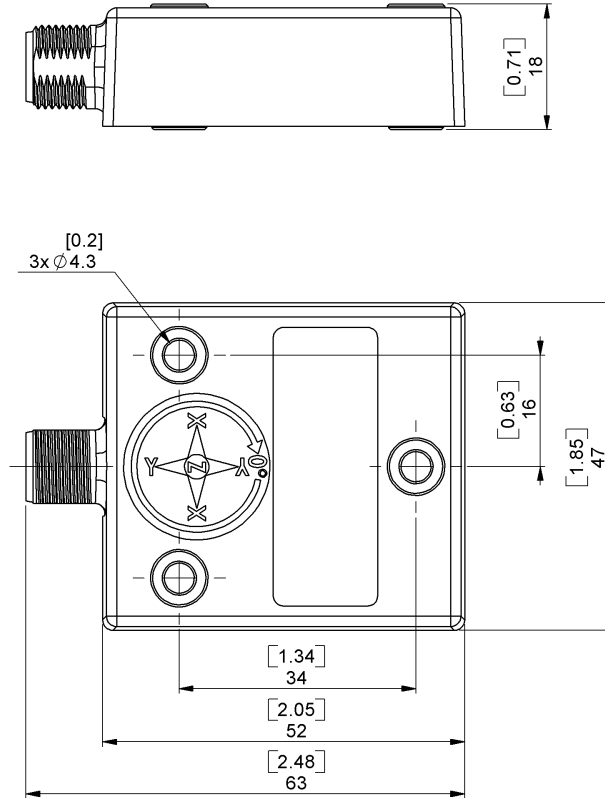
Interface	Analog Current 4 - 20 mA + RS232
Teach In	Zero Positioning, Inverse Direction, Elevation Range Programming
Settling Time	125 ms
Output Type	Current 4 - 20 mA
Max Load Resistance	270 $\Omega$ @ 10 V DC (500 $\Omega$ @ 15 V DC)
Transmission Rate	RS232: min. 1200 Baud; max. 115200 Baud
Default Transmission Rate	RS232: 9600 Baud
Linearity	$\pm$ 0.02%

### **Electrical Connection**

Connection Type	Connector M12
Connector	M12, Male, 8 pin, a coded

# POSITAL

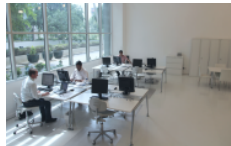
## FRABA



### Contact



POSITAL America



POSITAL Asia



POSITAL Europe