

3600NF series

Sealed toggle switches for outdoor applications

Distinctive features and specifications



UG1006-A

Sealing obtained by :

- O-ring between lever and bushing
- half-length boot and nylon washer (supplied mounted)
- elastomer gasket between cover and case
- molded-in terminal inserts
- sealing washer U60

Solid silver contacts

UL approved

ELECTRICAL SPECIFICATIONS

- Max. current/voltage rating with resistive load : 12A 28VDC - 6A 250VAC
- Initial contact resistance : 10 mΩ max.
- Insulation resistance : 1.000 MΩ min. at 500VDC
- Dielectric strength :
 - 2.500 Vrms 50 Hz min. between terminals
 - 3.000 Vrms 50 Hz min. between terminals and frame
- Electrical life : 10.000 cycles at full load

MATERIALS

- Case : phenolic resin
- Actuator : brass, nickel plated
- Bushing : brass, nickel plated
- Contacts : solid silver

GENERAL SPECIFICATIONS

- Torque : 1,50 Nm (1.10 Ft.lb) max. applied to nut
- Panel thickness : 2 mm (.079) max. with all accessories
- Operating temperature : -40°C to +85°C

AGENCY APPROVAL



Availability : consult factory for details or approved models.

Marking : to order switches marked UL, complete last box of ordering format.

ABOUT THIS SERIES

Dimensions : first dimensions are in mm while inches are shown as bracketted numbers.



Mounting accessories : 1 sealing boot U1151, 1 hex nut U166, 1 nylon washer U21 and 1 sealing washer U60. See section I.



Packaging unit : 25 pieces per type and colour.

A

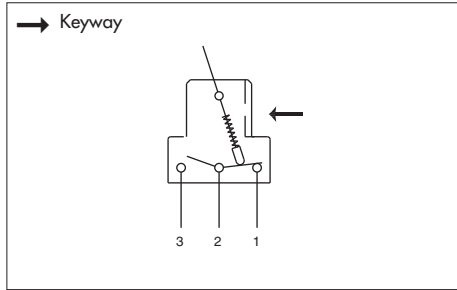
3600NF series

Sealed toggle switches for outdoor applications

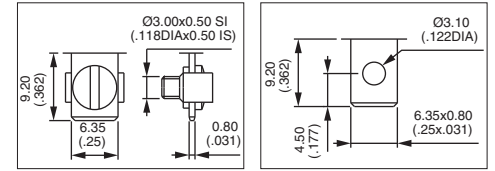
Screw terminals - solder lug/quick-connect terminals



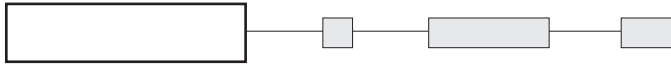
A



• 1 and 2 pole configurations



MODEL STRUCTURE



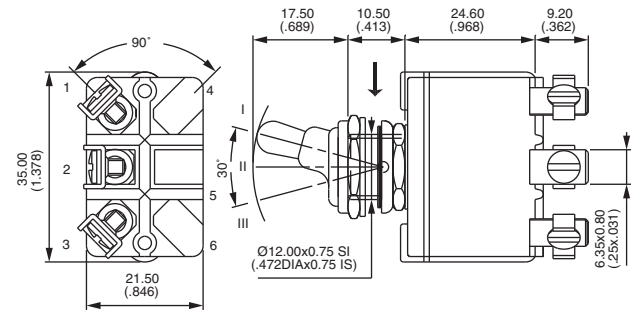
Screw terminals - single pole

→ Keyway



3631NF
3635NF
3636NF
3637NF
3638NF
3639NF

III	II	I
2-1		2-3
ON	-	OFF
MOM	-	ON
ON	-	ON
MOM	OFF	MOM
ON	OFF	MOM
ON	OFF	ON



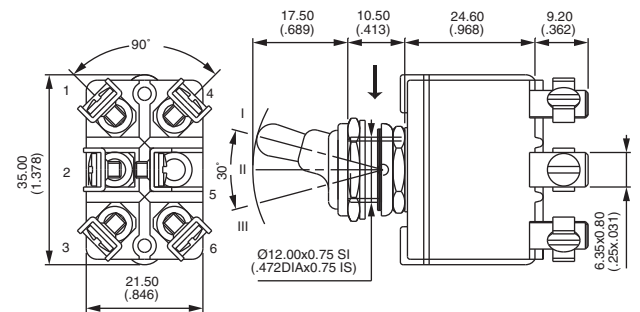
Screw terminals - double pole

→ Keyway



3641NF
3644NF*
3645NF
3646NF
3647NF
3648NF
3649NF

III	II	I
2-1		2-3
5-4		5-6
ON	-	OFF
ON	ON	ON
MOM	-	ON
ON	-	ON
MOM	OFF	MOM
ON	OFF	MOM
ON	OFF	ON



* Function 4 : SP in DP case, see end of catalogue.

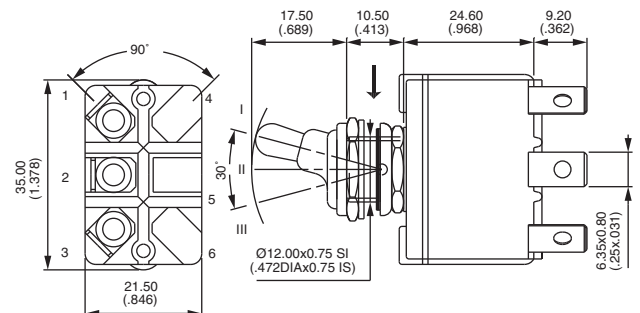
Solder lug/quick-connect terminals - single pole

→ Keyway



3631NF/2
3635NF/2
3636NF/2
3637NF/2
3638NF/2
3639NF/2

III	II	I
2-1		2-3
ON	-	OFF
MOM	-	ON
ON	-	ON
MOM	OFF	MOM
ON	OFF	MOM
ON	OFF	ON





3600NF series

Sealed toggle switches for outdoor applications

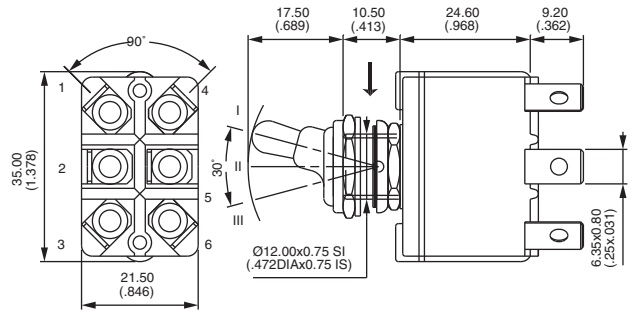
Solder lug/quick-connect terminals

Solder lug and quick-connect terminals - double pole



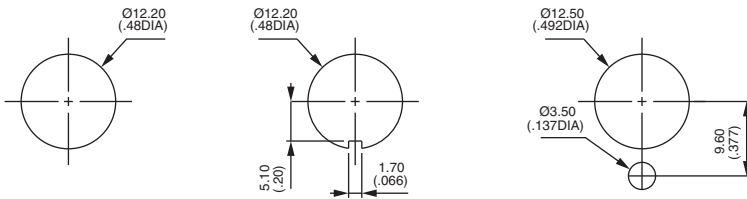
3641NF/2
3644NF/2*
3645NF/2
3646NF/2
3647NF/2
3648NF/2
3649NF/2

III	II	I
2-1		2-3
5-4		5-6
ON	-	OFF
ON	ON	ON
MOM	-	ON
ON	-	ON
MOM	OFF	MOM
ON	OFF	MOM
ON	OFF	ON

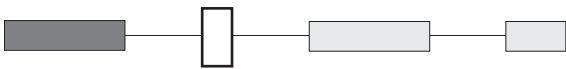


* Function 4 : DP in 4P case, see end of catalogue.

PANEL CUT-OUT



FINISH

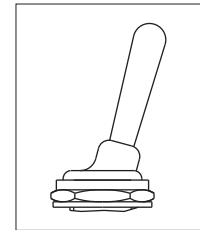


G Matt black finish on lever and nut of sealing boot

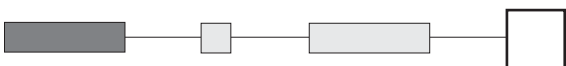
SPECIAL LEVER



X1052 30 mm (1.181) long lever



AGENCY APPROVAL



UL

Marking : to order switches marked UL, complete above box with "UL".