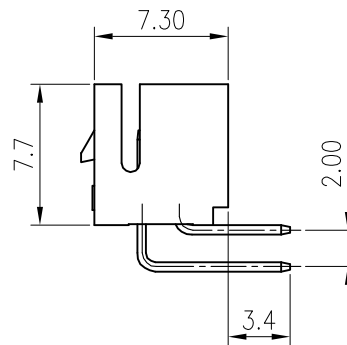
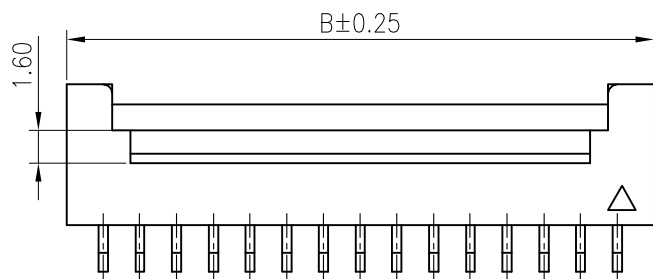
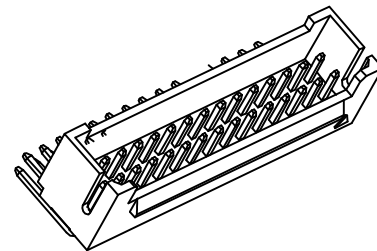


Recommended P.C.Board Layout



◆ SPECIFICATIONS

- Current rating: 2A AC, DC
- Voltage rating: 250V AC, DC
- Temperature range: -25°C ~ +85°C
- Insulation resistance: 1000MΩ Min.
- Withstanding voltage: 800V AC/ minute.
- Contact resistance: 20m Ω Max.

Material:

Insulator: Nylon 66 UL 94V-0

Contact: Brass

Plating: Tin plated over Nickel

| Part No. | Dimensions | | |
|------------------|------------|-------|------|
| | A | B | C |
| C2012RD20218P630 | 2.00 | 6.00 | 4.9 |
| C2012RD20318P630 | 4.00 | 8.00 | 6.9 |
| C2012RD20418P630 | 6.00 | 10.00 | 8.9 |
| C2012RD20518P630 | 8.00 | 12.00 | 10.9 |
| C2012RD20618P630 | 10.00 | 14.00 | 12.9 |
| C2012RD20718P630 | 12.00 | 16.00 | 14.9 |
| C2012RD20818P630 | 14.00 | 18.00 | 16.9 |
| C2012RD20918P630 | 16.00 | 20.00 | 18.9 |
| C2012RD21018P630 | 18.00 | 22.00 | 20.9 |
| C2012RD21118P630 | 20.00 | 24.00 | 22.9 |
| C2012RD21218P630 | 22.00 | 26.00 | 24.9 |
| C2012RD21318P630 | 24.00 | 28.00 | 26.9 |
| C2012RD21418P630 | 26.00 | 30.00 | 28.9 |
| C2012RD21518P630 | 28.00 | 32.00 | 30.9 |
| C2012RD21618P630 | 30.00 | 34.00 | 32.9 |
| C2012RD21718P630 | 32.00 | 36.00 | 34.9 |
| C2012RD21818P630 | 34.00 | 38.00 | 36.9 |
| C2012RD21918P630 | 36.00 | 40.00 | 38.9 |
| C2012RD22018P630 | 38.00 | 42.00 | 40.9 |
| C2012RD22118P630 | 40.00 | 44.00 | 42.9 |
| C2012RD22218P630 | 42.00 | 46.00 | 44.9 |
| C2012RD22318P630 | 44.00 | 48.00 | 46.9 |
| C2012RD22418P630 | 46.00 | 50.00 | 48.9 |
| C2012RD22518P630 | 48.00 | 52.00 | 50.9 |
| C2012RD22618P630 | 50.00 | 54.00 | 52.9 |
| C2012RD22718P630 | 52.00 | 56.00 | 54.9 |
| C2012RD22818P630 | 54.00 | 58.00 | 56.9 |
| C2012RD22918P630 | 56.00 | 60.00 | 58.9 |
| C2012RD23018P630 | 58.00 | 62.00 | 60.9 |

| | | | | | | | | |
|-----|------|------|-----------------|-------------------|----------|------------|-----------------------------|------------|
| △ | | | | GENERAL TOLERANCE | UNIT: mm | DATE | TITLE: PHB 2.0 90° Wafer | |
| △ | | | | .X±0.30 | X°±1° | DRAWN: 朱佑武 | 2013.01.15 | |
| △ | | | | .XX±0.20 | .X°± | CHECKED: | | |
| △ | | | | .XXX±0.10 | .XX°± | APPROVED: | | |
| LTR | NAME | DATE | VERISION RECORD | | | | VER. | SCALE: N/A |
| 1 | 2 | 3 | 4 | | | | A | SHEET: 1/1 |


东莞市康瑞电子有限公司
 DongGuan A Rul Electronic Co. LTD.

| | | |
|-------------|----------|------------------|
| PROJECT | PART NO. | C2012RD***18P630 |
| DRAWING NO. | | 2012WHD201-1-S |