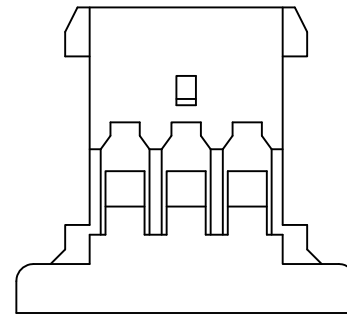


2 Circuit

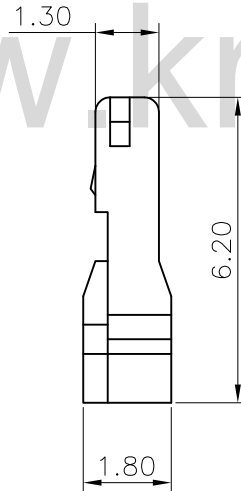
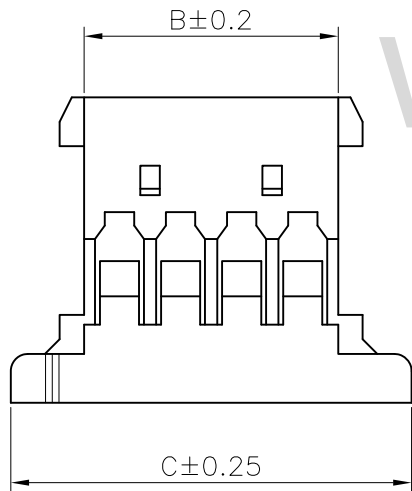


3 Circuit

◆ SPECIFICATIONS

- Current rating: 1A AC, DC
- Voltage rating: 100V AC, DC
- Temperature range: -25°C ~ +85°C
- Insulation resistance: 100MΩ Min.
- Withstanding voltage: 250V AC/ minute.
- Contact resistance: 20mΩ Max.


Material: Insulator: Nylon 66 UL 94V-0
 Circuits: 2~15,20,30
 Suitable: KR1253 series Wafer

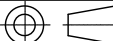


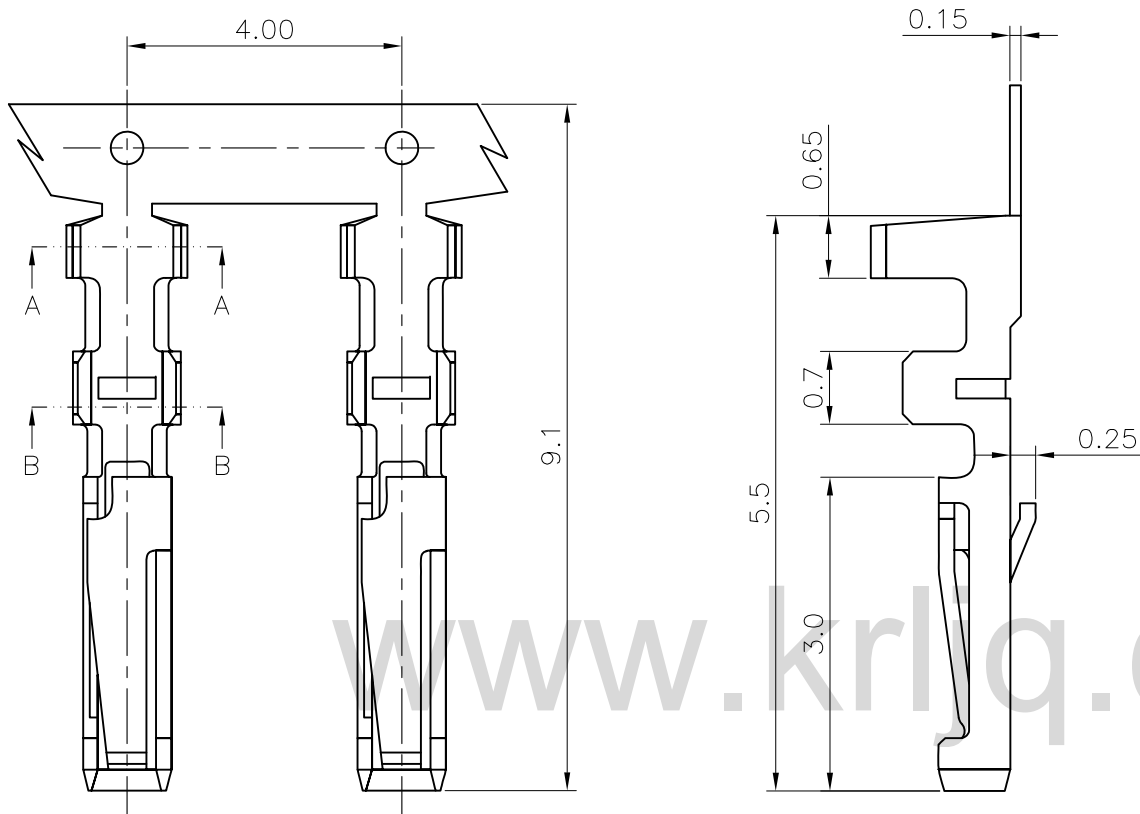
www.krljq.com

PART No.	Dimension		
	A	B	C
A1253O00254P60	1.25	2.72	5.72
A1253O00354P60	2.50	3.97	6.97
A1253O00454P60	3.75	5.22	8.22
A1253O00554P60	5.00	6.47	9.47
A1253O00654P60	6.25	7.72	10.72
A1253O00754P60	7.50	8.97	11.97
A1253O00854P60	8.75	10.22	13.22
A1253O00954P60	10.0	11.47	14.47
A1253O01054P60	11.25	12.72	15.72
A1253O01154P60	12.50	13.97	16.97
A1253O01254P60	13.75	15.22	18.22
A1253O01454P60	16.25	17.72	20.72
A1253O01554P60	17.50	18.97	21.97
A1253O02054P60	23.75	25.22	28.22
A1253O03054P60	36.25	37.72	40.72

△				GENERAL TOLERANCE	UNIT: mm	DATE	TITLE: MX 1.25 超薄 Housing			
△				.X±0.30	X°±1°	DRAWN: 闵昕皓	2015.03.18			
△				.XX±0.20	.X°±	CHECKED:		VER.	SCALE:	N/A
△				.XXX±0.10	.XX°±	APPROVED: 周志龙	2015.03.18	A	SHEET:	1/1
LTR	NAME	DATE	VERSION RECORD							


东莞市康瑞电子有限公司
 DongGuan A Rui Electronics Co. LTD.

PROJECTION:  PART NO. **A1253O***54P60**
 DRAWING NO. **1253H101-5-S**



- ◆ SPECIFICATIONS
- Current rating: 1A AC, DC
 - Voltage rating: 125V AC, DC
 - Temperature range: -25°C ~ +85°C
 - Insulation resistance: 100MΩ Min.
 - Withstanding voltage: 500V AC/ minute.
 - Contact resistance: 20mΩ Max.

Material: Phosphor Bronze

Applicable wire:

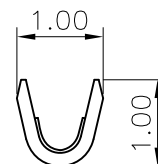
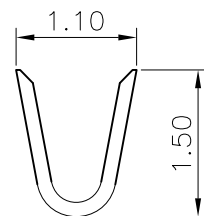
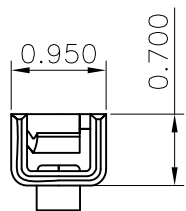
Conductor size: AWG#28~#32

Insulation O.D.: 0.6~0.9mm

Mate: KR1253 series Housing

PLATING:

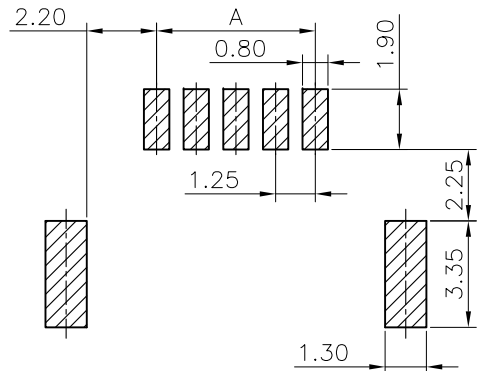
PART NO.	PLATING
B1253OG2AA100	GOLD FLASH
B1253OG2AA101	3u" Min.GOLD
B1253OT2AA100	TIN-PLATED



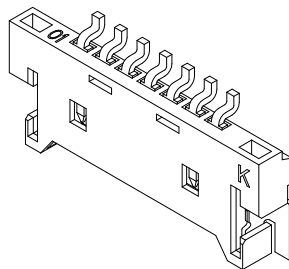
SECTION A-A

SECTION B-B

△				GENERAL TOLERANCE	UNIT: mm	DATE	TITLE: Molex 1.25 超薄 Terminal			东莞市康瑞电子有限公司 DongGuan A RuI Electronic Co., LTD.	PART NO. B1253O*2AA10*
△				.X±0.30 X°±1°	DRAWN: 朱佑武	2013.5.18	VER.	SCALE: N/A	PROJECTION		
△				.XX±0.20 .X°±	CHECKED:		A	SHEET: 1/1	DRAWING NO.	1253T01-2-S	
△				.XXX±0.10 .XX°±	APPROVED: 周志龙	2013.5.18					
LTR	NAME	DATE	VERISION RECORD								
1	2	3	4	5	6	7	8	9			



Recommended P.C.Board Layout
General Tolerance: ±0.1



Ordering Code:

C1253 R S *** 4 4 PT 2 0 - HF
① ② ③ ④ ⑤ ⑥ ⑦ ⑧ ⑨ ⑩

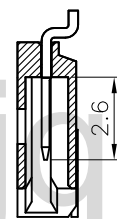
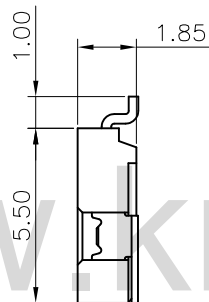
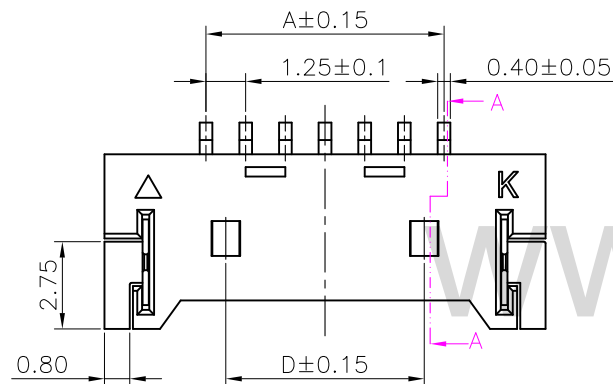
- ① Series NO.
- ② Mount Type:
R=horizontal
- ③ Solder Type: S=SMT
- ④ NO.of Circuit: 002=2P
- ⑤ NO. of Mold
- ⑥ Color: 4=Nature
- ⑦ Insulator Material:
PT=PA 6T
- ⑧ Packing Type: 2=Reel&Tape
- ⑨ Other: 0=Standard
- ⑩ HF: Halogen free(PA 6T)

◆SPECIFICATIONS

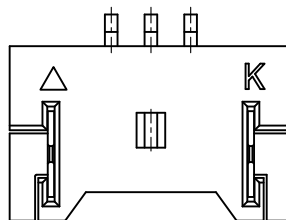
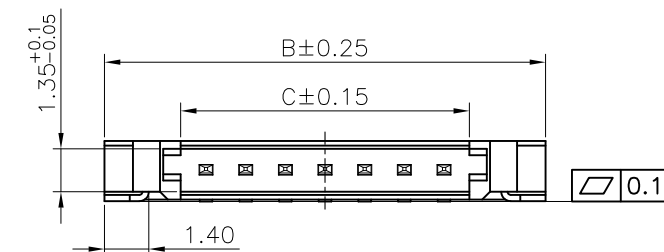
- Current rating: 1A AC, DC
- Voltage rating: 125V AC,DC
- Temperature range: -25°C ~ +85°C
- Insulation resistance: 100MΩ Min.
- Withstanding voltage: 500V AC/ minute.
- Contact resistance: 20mΩ Max.

Material:

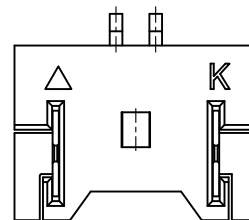
- Insulator: High temperature thermoplastics
- Contact: Phosphro Bronze
- Solder Nail: Brass
- Plating: Gold plated over Nickel
- Circuits: 2~20,30
- Suitable: KR1253 series Housing



SECTION A-A



3 Circuits



2 Circuits

CKT.	Dimensions			
	A	B	C	D
02	1.25	7.65	2.85	
03	2.50	8.90	4.10	
04	3.75	10.15	5.35	2.50
05	5.00	11.40	6.60	3.75
06	6.25	12.65	7.85	5.00
07	7.50	13.90	9.10	6.25
08	8.75	15.15	10.35	7.50
09	10.00	16.40	11.60	8.75
10	11.25	17.65	12.85	10.00
12	13.75	20.15	15.35	12.50
14	16.25	22.65	17.85	15.00
15	17.50	23.90	19.10	16.25
18	21.25	27.65	22.85	20.00
20	23.75	30.15	25.35	22.50
30	36.25	42.65	37.85	22.50

△				GENERAL TOLERANCE	UNIT: mm	DATE	TITLE: MX 1.25 超薄 WAFER				
△				.X±0.30	X°±1°	DRAWN: 朱佑武				2013.5.30	
△				.XX±0.20	.X°±	CHECKED:					
△				.XXX±0.10	.XX°±	APPROVED: 周志龙				2013.5.30	
LTR	NAME	DATE	VERISION RECORD				VER.	SCALE:	N/A		
1							A	SHEET:	1/1		



东莞市康瑞电子有限公司
DongGuan A RuI Electronic Co., LTD.

PROJECTION	PART NO.	C1253RS***44PT20-HF	
	DRAWING NO.	1253WHS101-4-S	