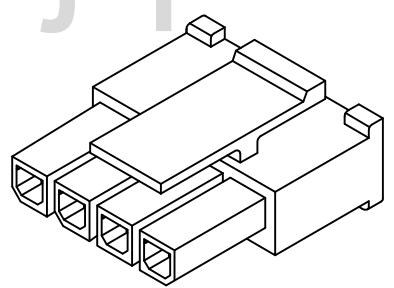
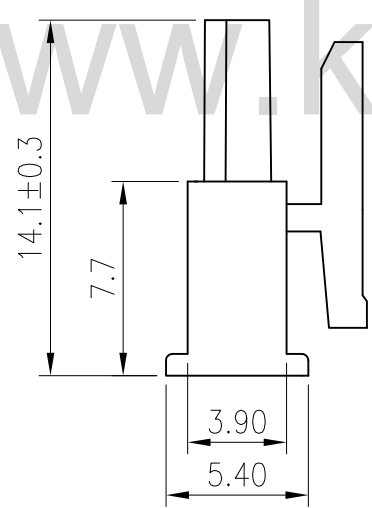
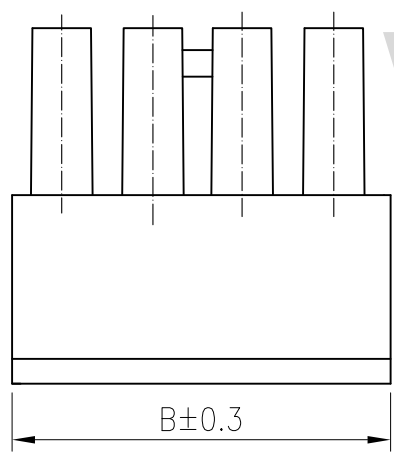


2 CIRCUITS

- ◆SPECIFICATIONS
- Current rating: 5A AC, DC
 - Voltage rating: 250V AC,DC
 - Temperature range: -25°C ~ +85°C
 - Insulation resistance: 1000MΩ Min.
 - Withstanding voltage: 1500V AC/ minute.
 - Contact resistance: 10m Ω Max.

Material: Nylon66 UL94 V-2
 Suitable:KR300HM series Terminal
 Mates With KR3000HF Series Single Row Housing
 And KR3000WF Series Single Row Wafer
 MOQ:1,000PCS



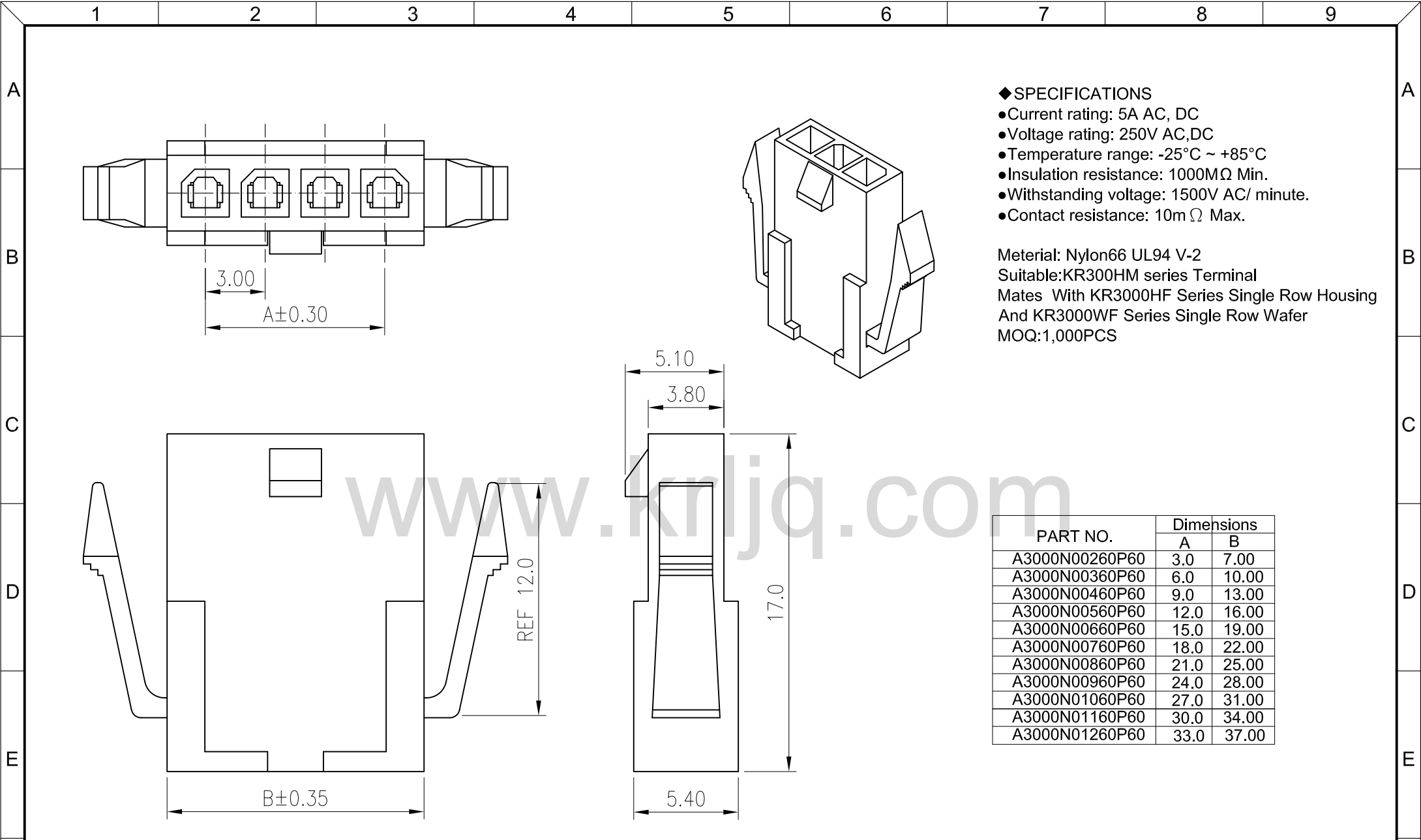
PART NO.	Dimensions	
	A	B
A3000F00260P60	3.0	
A3000F00360P60	6.0	10.00
A3000F00460P60	9.0	13.00
A3000F00560P60	12.0	16.00
A3000F00660P60	15.0	19.00
A3000F00760P60	18.0	22.00
A3000F00860P60	21.0	25.00
A3000F00960P60	24.0	28.00
A3000F01060P60	27.0	31.00
A3000F01160P60	30.0	34.00
A3000F01260P60	33.0	37.00

www.krljq.com

△				GENERAL TOLERANCE	UNIT: mm	DATE	TITLE:		
△				.X±0.30	X°±1°	DRAWN: 朱佑武	MX 3.0 Single Row male Housing		
△				.XX±0.20	.X°±	CHECKED:	VER. SCALE: N/A		
△				.XXX±0.10	.XX°±	APPROVED:	A SHEET: 1/1		
LTR	NAME	DATE	VERISION RECORD						


东莞市康瑞电子有限公司
 DongGuan A Rui Electronic Co. LTD.

PROJECT	PART NO.	A3000F***60P60
DRAWING NO.		3000HM101-6-S



◆ SPECIFICATIONS

- Current rating: 5A AC, DC
- Voltage rating: 250V AC,DC
- Temperature range: -25°C ~ +85°C
- Insulation resistance: 1000MΩ Min.
- Withstanding voltage: 1500V AC/ minute.
- Contact resistance: 10m Ω Max.

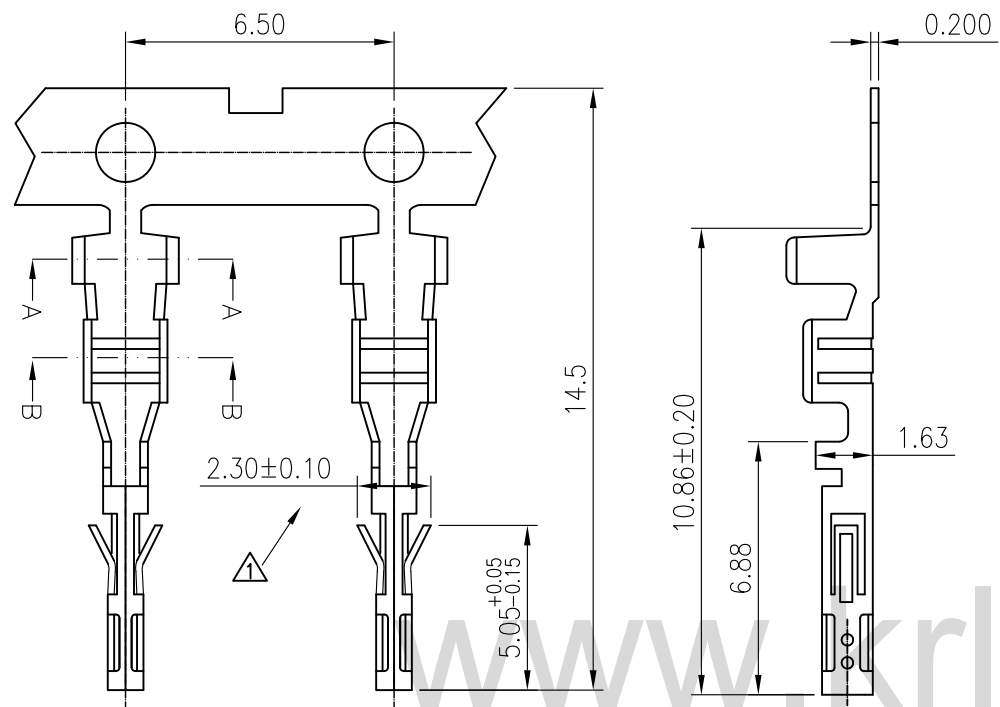
Material: Nylon66 UL94 V-2
 Suitable: KR300HM series Terminal
 Mates With KR3000HF Series Single Row Housing
 And KR3000WF Series Single Row Wafer
 MOQ: 1,000PCS

PART NO.	Dimensions	
	A	B
A3000N00260P60	3.0	7.00
A3000N00360P60	6.0	10.00
A3000N00460P60	9.0	13.00
A3000N00560P60	12.0	16.00
A3000N00660P60	15.0	19.00
A3000N00760P60	18.0	22.00
A3000N00860P60	21.0	25.00
A3000N00960P60	24.0	28.00
A3000N01060P60	27.0	31.00
A3000N01160P60	30.0	34.00
A3000N01260P60	33.0	37.00

			GENERAL TOLERANCE		UNIT: mm		DATE		TITLE:		
			.X±0.30 X°±1°		DRAWN: 闵昕皓		2013.9.9		MX 3.0 Single Row Female Housing		
			.XX±0.20 .X°±		CHECKED:				VER. SCALE: N/A		
			.XXX±0.10 .XX°±		APPROVED:				A SHEET: 1/1		
LTR	NAME	DATE	VERISION RECORD						PROJECT PART NO. A3000N***60P60		
1	2	3	4		5		6		DRAWING NO. 3000HF101-6-S		

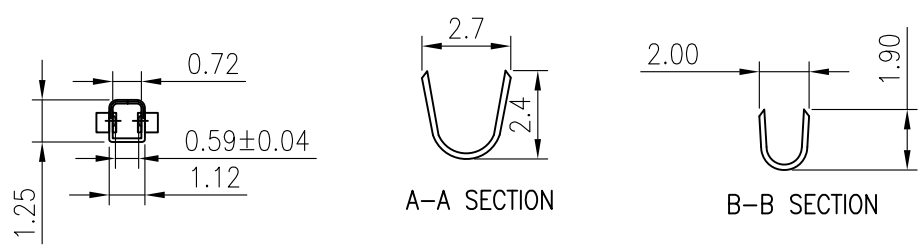


东莞市康瑞电子有限公司
 DongGuan A Rui Electronic Co. LTD.



- ◆ SPECIFICATIONS
- Current rating: 5A AC, DC
 - Voltage rating: 250V AC, DC
 - Temperature range: -25°C ~ +85°C
 - Insulation resistance: 1000MΩ Min.
 - Withstanding voltage: 1500V AC/ minute.
 - Contact resistance: 10mΩ Max.

Material: Phosphor Bronze
 Finish: Tin plated over Nickel
 Applicable wires: AWG #20~#24
 Insulation O.D 1.30~1.80 mm
 Suitable: KR3000 series Housing
 Qty/reel: 10,000PCS

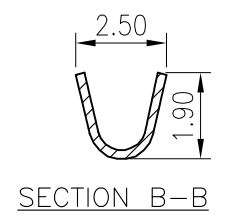
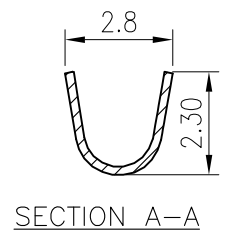
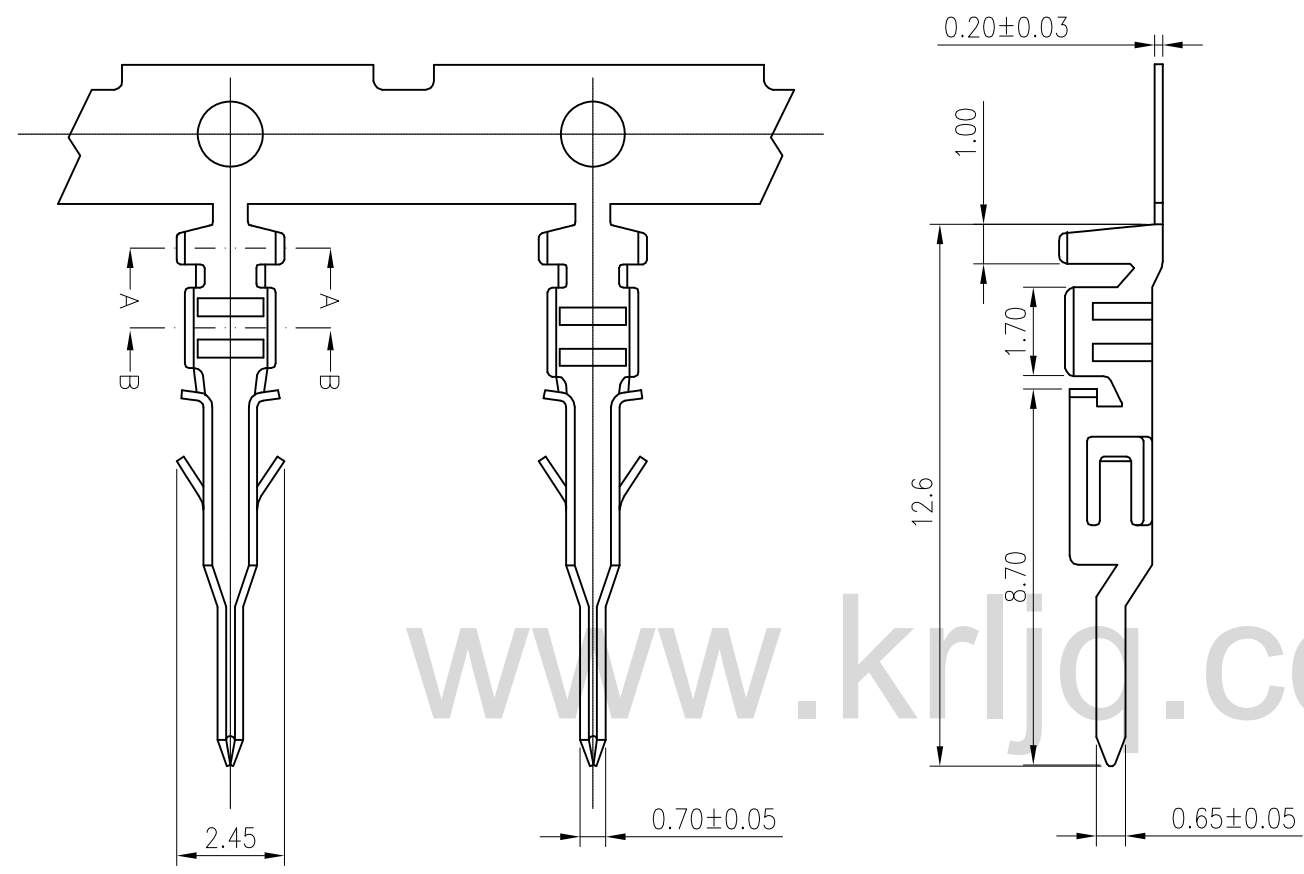


B3000M*4AA100
 T: 镀锡
 B: 半金
 G: 全金
 L: 素材
 1: 先冲后镀
 3: 素材

<table border="1"> <tr> <td>⚠</td> <td></td> <td></td> <td></td> </tr> <tr> <td>⚠</td> <td></td> <td></td> <td></td> </tr> <tr> <td>⚠</td> <td></td> <td></td> <td></td> </tr> <tr> <td>⚠</td> <td>龙一蛟</td> <td>2014.11.14</td> <td>新增一款</td> </tr> </table>				⚠				⚠				⚠				⚠	龙一蛟	2014.11.14	新增一款	GENERAL TOLERANCE .X±0.30 X°±1° .XX±0.20 .X°± .XXX±0.10 .XX°±		UNIT: mm DRAWN: 龙一蛟 CHECKED: APPROVED:		DATE 2014.11.14		TITLE: Molex 3.0 母 Terminal 弹片尺寸 2.30 VER. A SCALE: N/A SHEET: 1/1			东莞市康瑞电子有限公司 DongGuan A Rui Electronics Co. LTD.		
⚠																															
⚠																															
⚠																															
⚠	龙一蛟	2014.11.14	新增一款																												
LTR NAME DATE VERISION RECORD								PROJECT PART NO. B3000M*4AA*00		DRAWING NO. 3000TF01-4-S																					

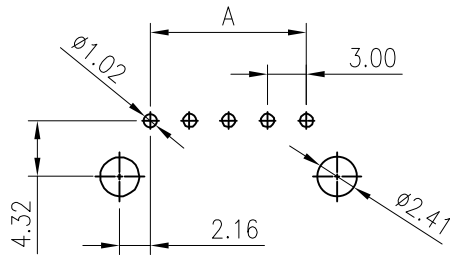
- ◆SPECIFICATIONS
- Current rating: 5A AC, DC
 - Voltage rating: 250V AC,DC
 - Temperature range: -25°C ~ +85°C
 - Insulation resistance: 1000MΩ Min.
 - Withstanding voltage: 1500V AC/ minute.
 - Contact resistance: 10m Ω Max.

Terminal:
 Material: Phosphor Bronze
 Finish: Tin Plated over Nickel
 Applicable wires:
 AWG #28~#24
 Insulation O.D.: 1.80mm Max.
 Suitable:KR300HM series Housing
 Qty/reel:10,000PCS

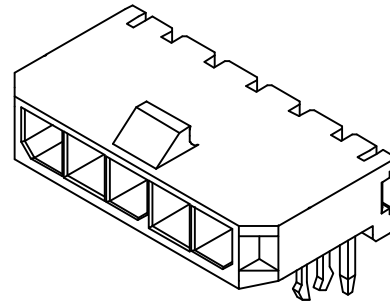


www.krljq.com

△				GENERAL TOLERANCE		UNIT: mm		DATE		TITLE:		
③				.X±0.30 X°±1°		DRAWN: 闵昕皓		2013.8.27		Molex 3.0 公 Terminal		
△				.XX±0.20 .X°±		CHECKED:				PROJECT		
△				.XXX±0.10 .XX°±		APPROVED:				PART NO. B3000FT5AA100		
LTR	NAME	DATE	VERISION RECORD						VER. A		SCALE: N/A	
1	2	3	4	5	6	7	8	9	SHEET: 1/1		DRAWING NO. 3000TM01-5-S	



PCB LAYOUT

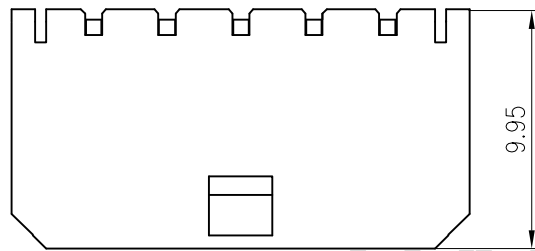


◆ SPECIFICATIONS

- Current rating: 5A AC, DC
- Voltage rating: 250V AC, DC
- Temperature range: -25°C ~ +85°C
- Insulation resistance: 1000MΩ Min.
- Withstanding voltage: 1500V AC/ minute.
- Contact resistance: 10mΩ Max.

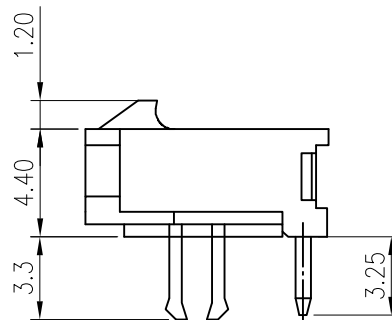
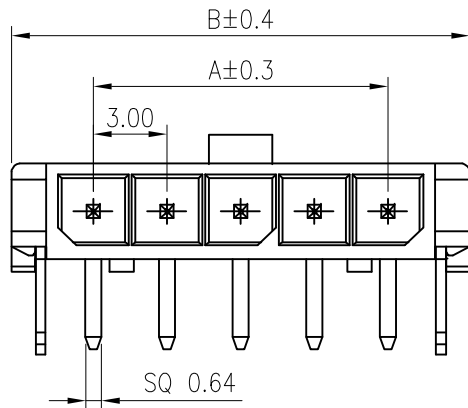
Material:

Insulator: LCP UL 94V-0
 Contact: Brass
 Plating: Tin plated or Gold plated
 Circuits: 2~12
 Suitable: KR3000 series single row Housing



C3000RD***30LP*V
 PIN数 3:袋装

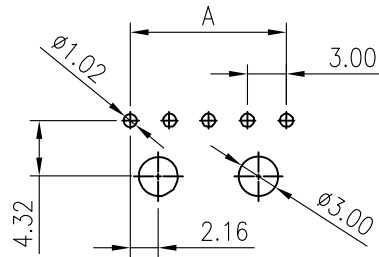
www.krljq.com



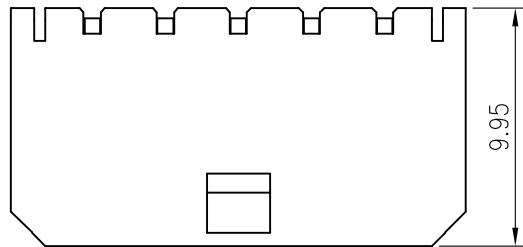
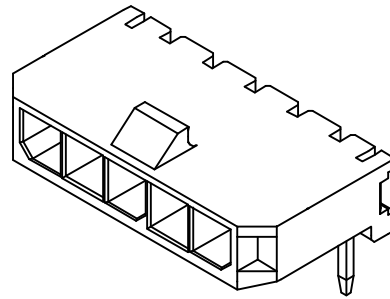
PART NO.	Dimension mm	
	A	B
C3000RD00230LP*V	3.0	9.65
C3000RD00330LP*V	6.0	12.65
C3000RD00430LP*V	9.0	15.65
C3000RD00530LP*V	12.0	18.65
C3000RD00630LP*V	15.0	21.65
C3000RD00730LP*V	18.0	24.65
C3000RD00830LP*V	21.0	27.65
C3000RD00930LP*V	24.0	30.65
C3000RD01030LP*V	27.0	33.65
C3000RD01130LP*V	30.0	36.65
C3000RD01230LP*V	33.0	39.65

			GENERAL TOLERANCE		UNIT: mm	DATE	TITLE:			
			.X±0.30	X°±1°	DRAWN: 朱佑武	2012.10.18	Molex 3.0 DIP 单排 90°Wafer无柱带鱼叉			
			.XX±0.20	.X°±	CHECKED:		VER.	SCALE:	N/A	
LTR NAME DATE VERISION RECORD			.XXX±0.10	.XX°±	APPROVED:		A	SHEET:	1/1	
							PROJECTION		PART NO.	C3000RD***30LP*V
							DRAWING NO.		3000WHD101-3-S	

东莞市康瑞电子有限公司
 DongGuan A Rui Electronic Co., LTD.



PCB LAYOUT



◆ SPECIFICATIONS

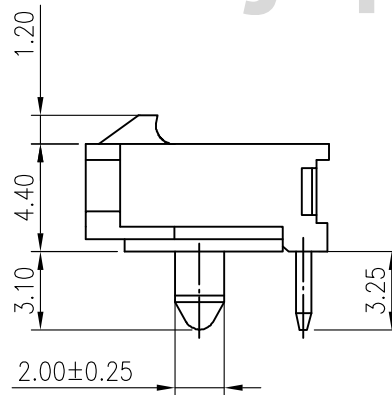
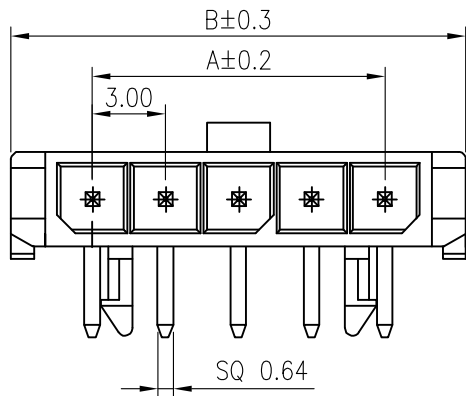
- Current rating: 5A AC, DC
- Voltage rating: 250V AC, DC
- Temperature range: -25°C ~ +85°C
- Insulation resistance: 1000MΩ Min.
- Withstanding voltage: 1500V AC/ minute.
- Contact resistance: 10mΩ Max.

Material:

Insulator: Nylon 9T UL 94V-0
 Contact: Brass
 Plating: Tin plated or Gold plated
 Circuits: 2~12
 Suitable: KR3000 series single row Housing

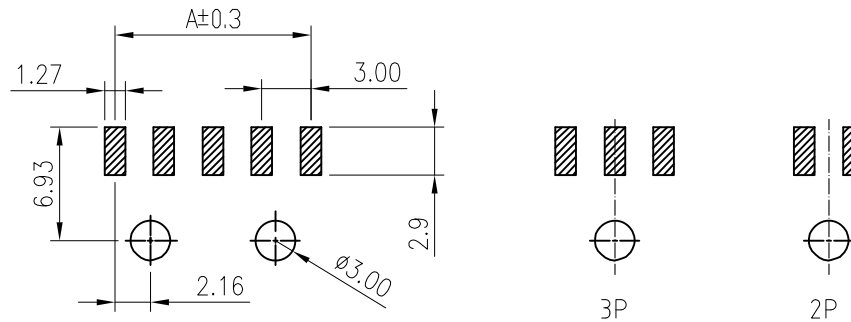
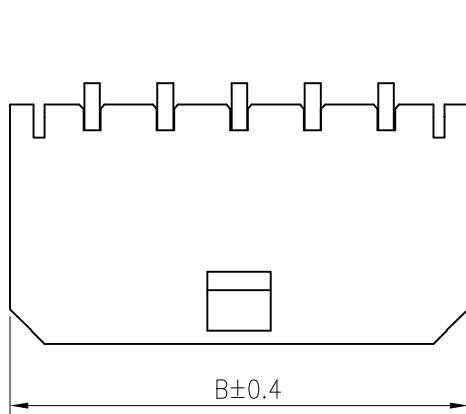
www.krljq.com

C3000RD***10P9*0
 PIN数
 3:袋装
 4:盒装



PART NO.	Dimension mm	
	A	B
C3000RD00230P9*0	3.0	9.65
C3000RD00330P9*0	6.0	12.65
C3000RD00430P9*0	9.0	15.65
C3000RD00530P9*0	12.0	18.65
C3000RD00630P9*0	15.0	21.65
C3000RD00730P9*0	18.0	24.65
C3000RD00830P9*0	21.0	27.65
C3000RD00930P9*0	24.0	30.65
C3000RD01030P9*0	27.0	33.65
C3000RD01130P9*0	30.0	36.65
C3000RD01230P9*0	33.0	39.65

F				GENERAL TOLERANCE		UNIT: mm	DATE	TITLE: Molex 3.0 DIP 单排 90°Wafer 东莞市康瑞电子有限公司 DongGuan A Rui Electronic Co., LTD.		
	.X ± 0.30		X° ± 1°		DRAWN: 朱佑武	2012.10.18				
	.XX ± 0.20		.X° ±		CHECKED:		VER.	SCALE:	N/A	
	.XXX ± 0.10		.XX° ±		APPROVED:		A	SHEET:	1/1	
LTR NAME DATE VERISION RECORD								PROJECTION	PART NO.	C3000RD***30P9*0
									DRAWING NO.	3000WHD102-3-S
1	2	3	4	5	6	7	8	9		

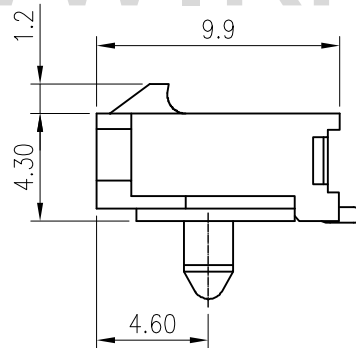
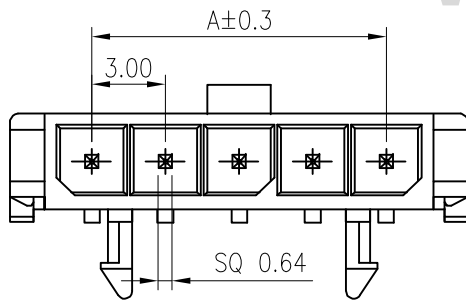


PCB LAYOUT

- ◆ SPECIFICATIONS
- Current rating: 5A AC, DC
 - Voltage rating: 250V AC, DC
 - Temperature range: -25°C ~ +85°C
 - Insulation resistance: 1000MΩ Min.
 - Withstanding voltage: 1500V AC/ minute.
 - Contact resistance: 10mΩ Max.

Material:
 Insulator: LCP UL 94V-0
 Contact: Brass
 Plating: Tin plated
 Circuits: 2~12
 Suitable: KR3000 series single row Housing

www.krljq.com

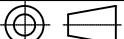


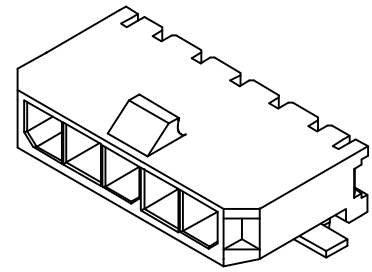
PART NO.	Dimension mm	
	A	B
C3000RS00230LP3RL	3.0	9.7
C3000RS00330LP3RL	6.0	12.7
C3000RS00430LP3RL	9.0	15.7
C3000RS00530LP3RL	12.0	18.7
C3000RS00630LP3RL	15.0	21.7
C3000RS00730LP3RL	18.0	24.7
C3000RS00830LP3RL	21.0	27.7
C3000RS00930LP3RL	24.0	30.7
C3000RS01030LP3RL	27.0	33.7
C3000RS01130LP3RL	30.0	36.7
C3000RS01230LP3RL	33.0	39.7

GENERAL TOLERANCE		UNIT: mm		DATE		TITLE:	
.X±0.30 X°±1°		DRAWN: 朱佑武		2012.10.18		Molex 3.0 SMT 90° Wafer with peg	
.XX±0.20 .X°±		CHECKED:				VER. SCALE: N/A	
.XXX±0.10 .XX°±		APPROVED:				A SHEET: 1/1	
LTR	NAME	DATE	VERSION RECORD				

 东莞市康瑞电子有限公司
 DongGuan A Rui Electronic Co., LTD.

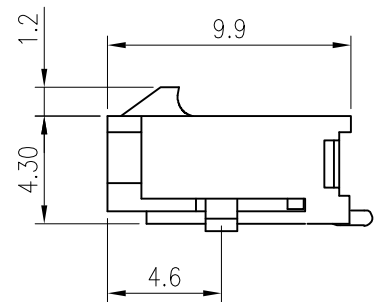
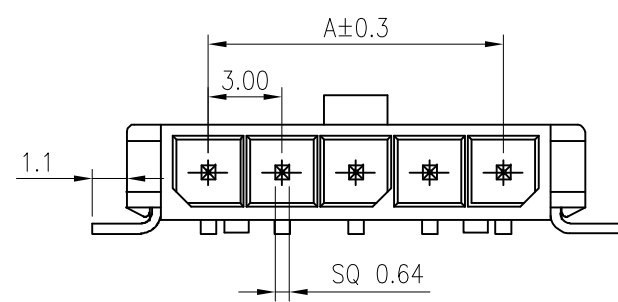
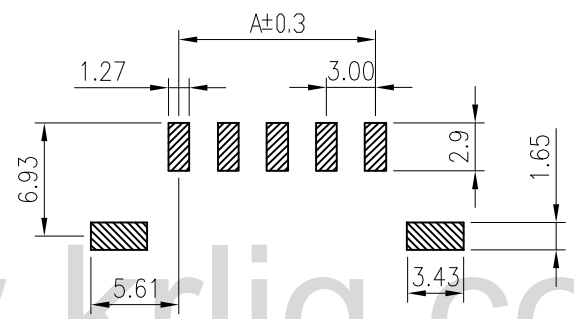
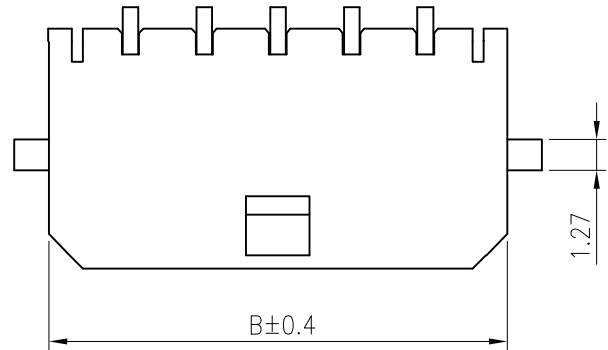
PROJECTION PART NO. C3000RS***30LP3RL

 DRAWING NO. 3000WHS101-3-S



- ◆ SPECIFICATIONS
- Current rating: 5A AC, DC
 - Voltage rating: 250V AC, DC
 - Temperature range: -25°C ~ +85°C
 - Insulation resistance: 1000MΩ Min.
 - Withstanding voltage: 1500V AC/ minute.
 - Contact resistance: 10mΩ Max.

Material:
 Insulator: LCP UL 94V-0
 Contact: Brass
 Solder nail: Brass
 Plating: Tin plated
 Circuits: 2~12
 Suitable: KR3000 series single row Housing



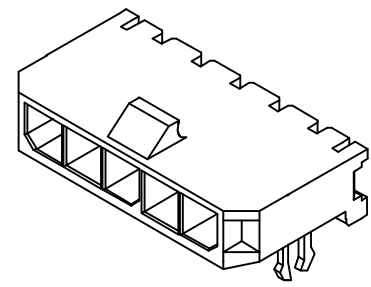
www.krljq.com

PART NO.	Dimension mm	
	A	B
C3000RS00230LP2B	3.0	9.7
C3000RS00330LP2B	6.0	12.7
C3000RS00430LP2B	9.0	15.7
C3000RS00530LP2B	12.0	18.7
C3000RS00630LP2B	15.0	21.7
C3000RS00730LP2B	18.0	24.7
C3000RS00830LP2B	21.0	27.7
C3000RS00930LP2B	24.0	30.7
C3000RS01030LP2B	27.0	33.7
C3000RS01130LP2B	30.0	36.7
C3000RS01230LP2B	33.0	39.7

△				GENERAL TOLERANCE	UNIT: mm	DATE	TITLE: Molex 3.0 SMT 90° Wafer with TAB VER. SCALE: N/A A SHEET: 1/1				
△				.X±0.30	X°±1°	DRAWN: 朱佑武				2012.10.18	
△				.XX±0.20	.X°±	CHECKED:					
△				.XXX±0.10	.XX°±	APPROVED:					
LTR	NAME	DATE	VERISION RECORD								

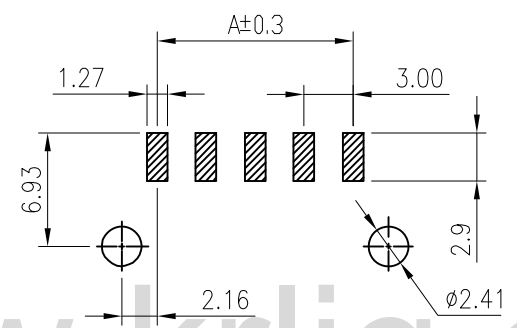
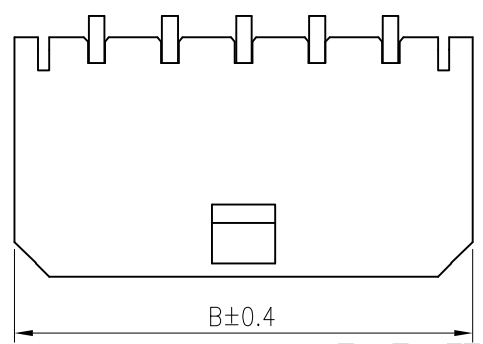
东莞市康瑞电子有限公司
 DongGuan A Rui Electronic Co., LTD.

PROJECTION	PART NO.	C3000RS***30LP2B
	DRAWING NO.	3000WHS102-3-S

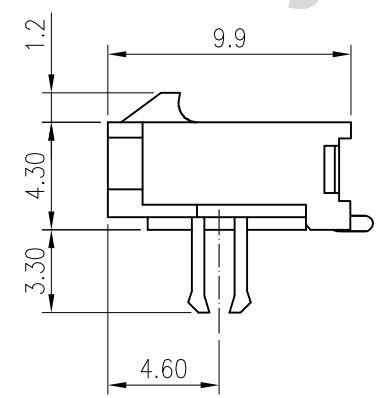
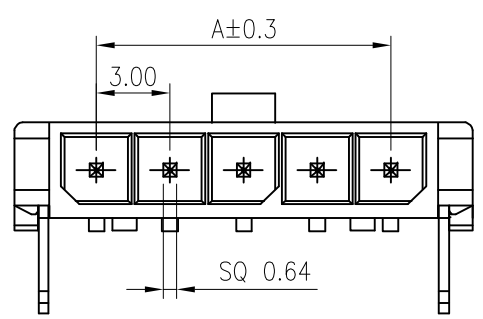


- ◆ SPECIFICATIONS
- Current rating: 5A AC, DC
 - Voltage rating: 250V AC,DC
 - Temperature range: -25°C ~ +85°C
 - Insulation resistance: 1000MΩ Min.
 - Withstanding voltage: 1500V AC/ minute.
 - Contact resistance: 10mΩ Max.

Material:
 Insulator: LCP UL 94V-0
 Contact: Brass
 Press-fit: Brass
 Plating: Tin plated
 Circuits: 2~12
 Suitable: KR3000 series single row Housing



PCB LAYOUT

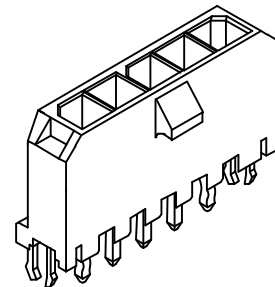
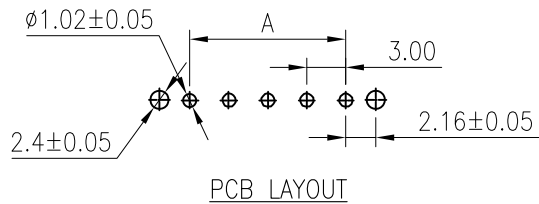


PART NO.	Dimension mm	
	A	B
C3000RS00230LP3A	3.0	9.7
C3000RS00330LP3A	6.0	12.7
C3000RS00430LP3A	9.0	15.7
C3000RS00530LP3A	12.0	18.7
C3000RS00630LP3A	15.0	21.7
C3000RS00730LP3A	18.0	24.7
C3000RS00830LP3A	21.0	27.7
C3000RS00930LP3A	24.0	30.7
C3000RS01030LP3A	27.0	33.7
C3000RS01130LP3A	30.0	36.7
C3000RS01230LP3A	33.0	39.7

△				GENERAL TOLERANCE	UNIT: mm	DATE	TITLE: Molex 3.0 SMT 90° Wafer with press-fit VER. SCALE: N/A A SHEET: 1/1			
△				.X±0.30	X°±1°	DRAWN: 朱佑武				2012.10.18
△				.XX±0.20	.X°±	CHECKED:				
△				.XXX±0.10	.XX°±	APPROVED:				
LTR	NAME	DATE	VERISION RECORD							

东莞市康瑞电子有限公司
 DongGuan A Rui Electronic Co., LTD.

PROJECTION	PART NO.	C3000RS***30LP3A
	DRAWING NO.	3000WHS103-3-S

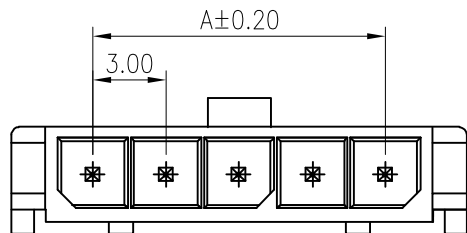


◆ SPECIFICATIONS

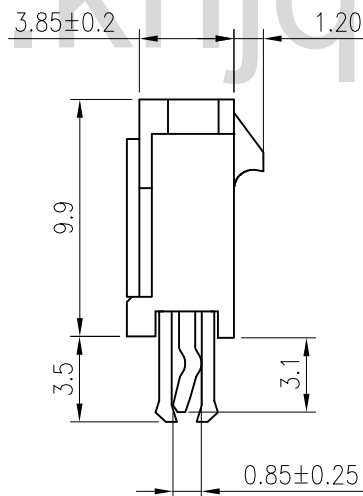
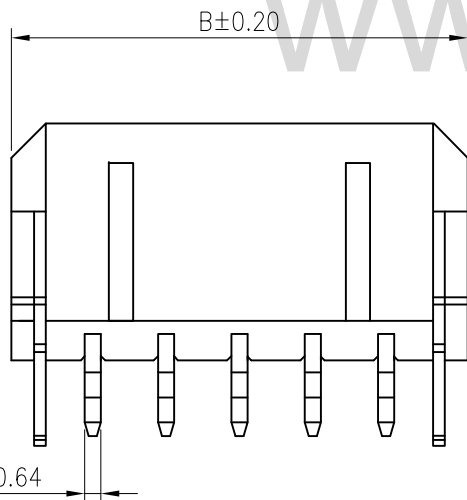
- Current rating: 5A AC, DC
- Voltage rating: 250V AC, DC
- Temperature range: -25°C ~ +85°C
- Insulation resistance: 1000MΩ Min.
- Withstanding voltage: 1500V AC/ minute.
- Contact resistance: 10mΩ Max.

Material:

Insulator: Nylon 9T UL 94V-0
 Contact: Brass
 Plating: Tin plated or Gold plated
 Circuits: 2~12
 Suitable: KR3000 series single row Housing



C3000VD00230P93V
 002: 2P P9: PA9T



PART NO.	Dimension mm	
	A	B
C3000VD00230P93V	3.0	9.65
C3000VD00330P93V	6.0	12.65
C3000VD00430P93V	9.0	15.65
C3000VD00530P93V	12.0	18.65
C3000VD00630P93V	15.0	21.65
C3000VD00730P93V	18.0	24.65
C3000VD00830P93V	21.0	27.65
C3000VD00930P93V	24.0	30.65
C3000VD01030P93V	27.0	33.65
C3000VD01130P93V	30.0	36.65
C3000VD01230P93V	33.0	39.65

△				GENERAL TOLERANCE	UNIT: mm	DATE	TITLE: Molex 3.0 DIP 单排 180° Wafer 带鱼叉 VER. SCALE: N/A A SHEET: 1/1			
△				.X ± 0.30	X° ± 1°	DRAWN: 朱佑武				2012.10.18
△				.XX ± 0.20	.X° ±	CHECKED:				
△				.XXX ± 0.10	.XX° ±	APPROVED:				
LTR	NAME	DATE	VERISION RECORD							

东莞市康瑞电子有限公司
 DongGuan A Rui Electronic Co., LTD.

PROJECTION	PART NO.	C3000VD***30P93V
	DRAWING NO.	3000WVD101-3-S

1

2

3

4

5

6

7

8

9

A

B

C

D

E

F

1

2

3

4

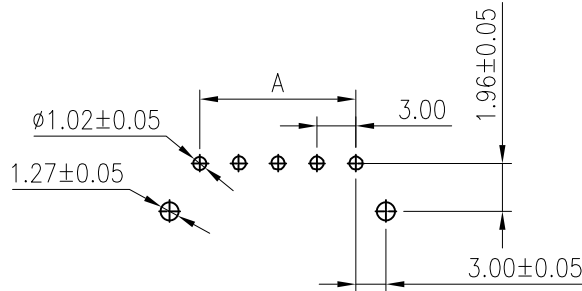
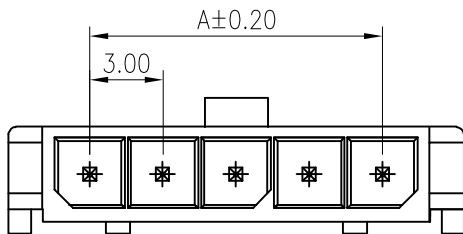
5

6

7

8

9



PCB LAYOUT

◆ SPECIFICATIONS

- Current rating: 5A AC, DC
- Voltage rating: 250V AC, DC
- Temperature range: -25°C ~ +85°C
- Insulation resistance: 1000MΩ Min.
- Withstanding voltage: 1500V AC/ minute.
- Contact resistance: 10mΩ Max.

Material:

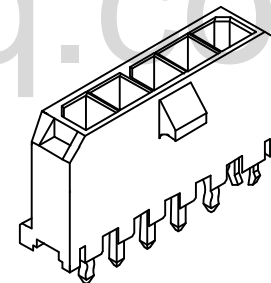
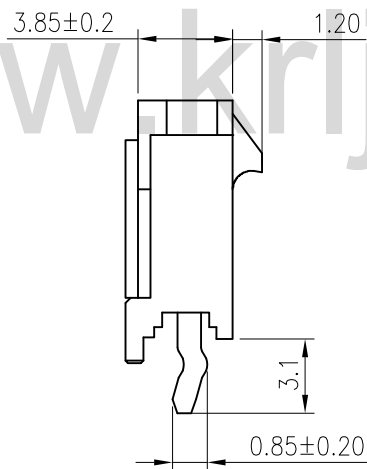
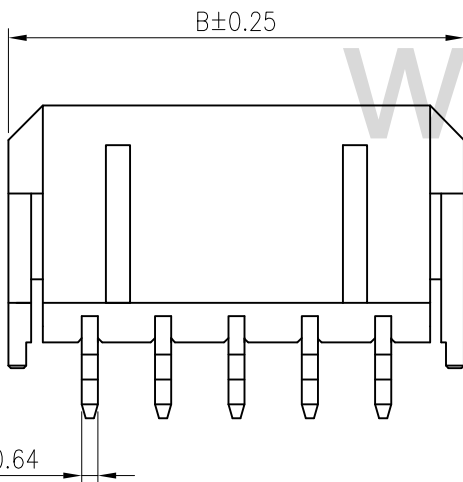
Insulator: Nylon 9T UL 94V-0

Contact: Brass

Plating: Tin plated or Gold plated

Circuits: 2~12

Suitable: KR3000 series single row Housing



C3000VD00230P93*

002: 2P

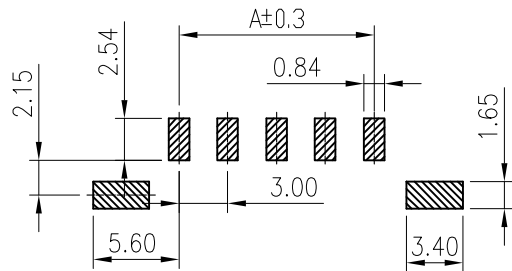
- N: 镀金15U"
- T: 镀金FU"
- 0: 镀锡

PART NO.	Dimension	
	A	B
C3000VD00230P93*	3.0	9.65
C3000VD00330P93*	6.0	12.65
C3000VD00430P93*	9.0	15.65
C3000VD00530P93*	12.0	18.65
C3000VD00630P93*	15.0	21.65
C3000VD00730P93*	18.0	24.65
C3000VD00830P93*	21.0	27.65
C3000VD00930P93*	24.0	30.65
C3000VD01030P93*	27.0	33.65
C3000VD01130P93*	30.0	36.65
C3000VD01230P93*	33.0	39.65

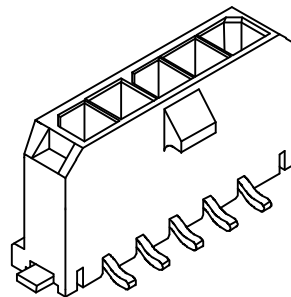
△				GENERAL TOLERANCE	UNIT: mm	DATE	TITLE:		
△				.X±0.30	X°±1°	DRAWN: 朱佑武	Molex 3.0 DIP 单排		
△				.XX±0.20	.X°±	CHECKED:	180° Wafer		
△				.XXX±0.10	.XX°±	APPROVED:	VER.	SCALE:	N/A
LTR	NAME	DATE	VERISION RECORD				A	SHEET:	1/1

东莞市康瑞电子有限公司
DongGuan A Rui Electronic Co., LTD.

PROJECTION	PART NO.	C3000VD***30P93*
DRAWING NO.		3000WVD102-3-S



PCB LAYOUT

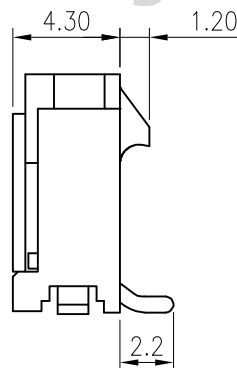
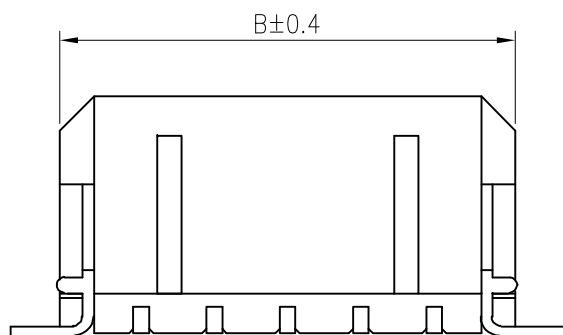
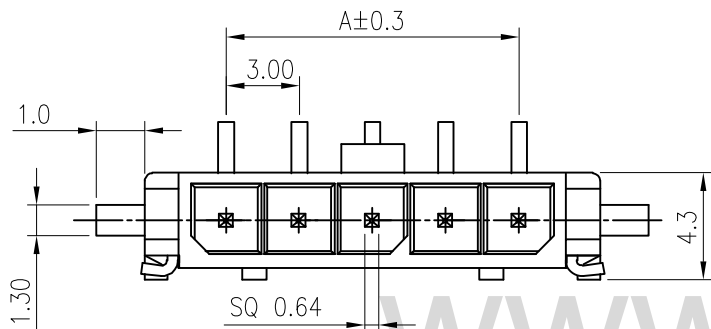


◆ SPECIFICATIONS

- Current rating: 5A AC, DC
- Voltage rating: 250V AC, DC
- Temperature range: -25°C ~ +85°C
- Insulation resistance: 1000MΩ Min.
- Withstanding voltage: 1500V AC/ minute.
- Contact resistance: 10mΩ Max.

Material:

- Insulator: LCP UL 94V-0
- Contact: Brass
- Solder nail: Brass
- Plating: Tin plated
- Circuits: 2~12
- Suitable: KR3000 series single row Housing

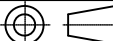


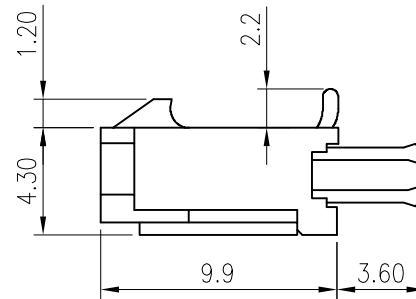
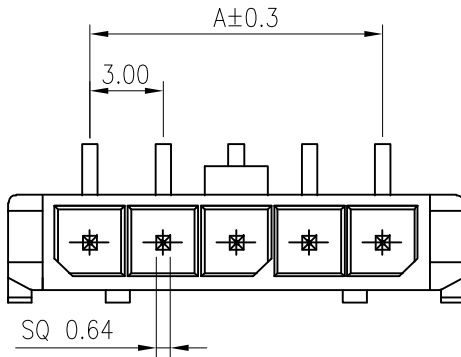
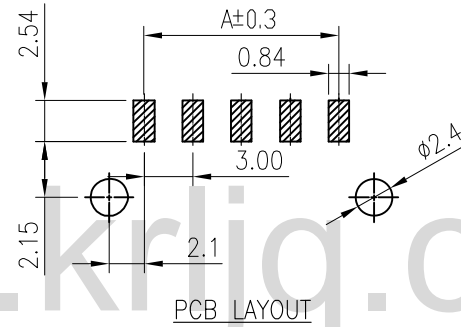
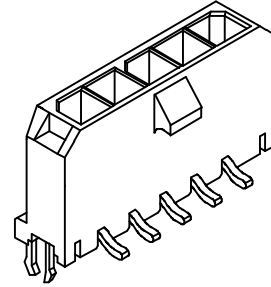
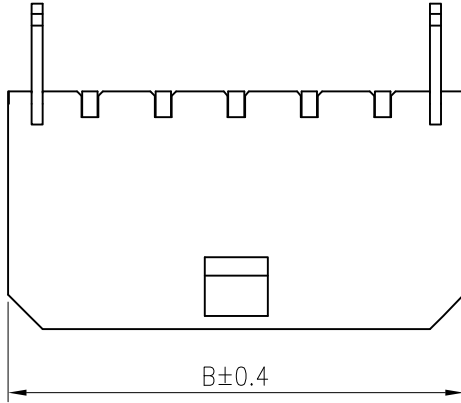
www.krljq.com

PART NO.	Dimension mm	
	A	B
C3000VS00230LP2B	3.0	9.7
C3000VS00330LP2B	6.0	12.7
C3000VS00430LP2B	9.0	15.7
C3000VS00530LP2B	12.0	18.7
C3000VS00630LP2B	15.0	21.7
C3000VS00730LP2B	18.0	24.7
C3000VS00830LP2B	21.0	27.7
C3000VS00930LP2B	24.0	30.7
C3000VS01030LP2B	27.0	33.7
C3000VS01130LP2B	30.0	36.7
C3000VS01230LP2B	33.0	39.7

△				GENERAL TOLERANCE	UNIT: mm	DATE	TITLE: Molex 3.0 SMT 180° Wafer with tab			
△				.X ± 0.30	X° ± 1°	DRAWN: 朱佑武				2012.10.18
△				.XX ± 0.20	.X° ±	CHECKED:				
△				.XXX ± 0.10	.XX° ±	APPROVED:				
LTR	NAME	DATE	VERSION RECORD				VER.	SCALE:	N/A	
1	2	3	4	5	6	7	A	SHEET:	1/1	


东莞市康瑞电子有限公司
 DongGuan A Rui Electronic Co., LTD.

PROJECTION	PART NO.	C3000VS***30LP2B
	DRAWING NO.	3000WVS101-3-S



◆ SPECIFICATIONS

- Current rating: 5A AC, DC
- Voltage rating: 250V AC, DC
- Temperature range: -25°C ~ +85°C
- Insulation resistance: 1000MΩ Min.
- Withstanding voltage: 1500V AC/ minute.
- Contact resistance: 10mΩ Max.

Material:

Insulator: LCP UL 94V-0
 Contact: Brass
 Press-fit: Brass
 Plating: Tin plated
 Circuits: 2~12
 Suitable: KR3000 series single row Housing

PART NO.	Dimension mm	
	A	B
C3000VS00230LP3A	3.0	9.7
C3000VS00330LP3A	6.0	12.7
C3000VS00430LP3A	9.0	15.7
C3000VS00530LP3A	12.0	18.7
C3000VS00630LP3A	15.0	21.7
C3000VS00730LP3A	18.0	24.7
C3000VS00830LP3A	21.0	27.7
C3000VS00930LP3A	24.0	30.7
C3000VS01030LP3A	27.0	33.7
C3000VS01130LP3A	30.0	36.7
C3000VS01230LP3A	33.0	39.7

www.krljq.com

△				GENERAL TOLERANCE	UNIT: mm	DATE	TITLE: Molex 3.0 SMT 180° Wafer with press-fit			
△				.X±0.30	X°±1°	DRAWN: 朱佑武	2012.10.18			
△				.XX±0.20	.X°±	CHECKED:				
△				.XXX±0.10	.XX°±	APPROVED:		VER. A	SCALE: 1/1	N/A
LTR	NAME	DATE	VERISION RECORD							


东莞市康瑞电子有限公司
 DongGuan A Rui Electronic Co., LTD.

PROJECTION	PART NO.	C3000VS***30LP3A
	DRAWING NO.	3000WVS102-3-S

1 2 3 4 5 6 7 8 9

A

B

C

D

E

F

A

B

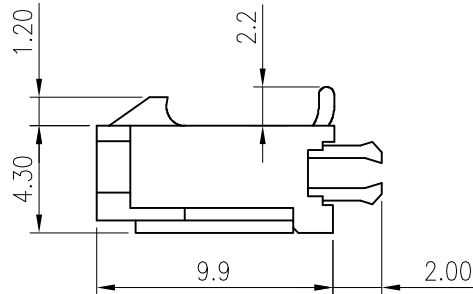
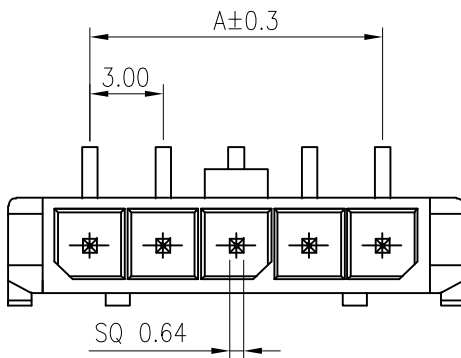
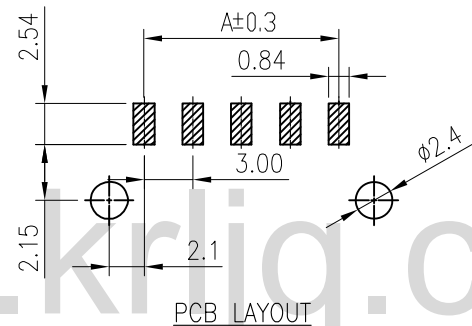
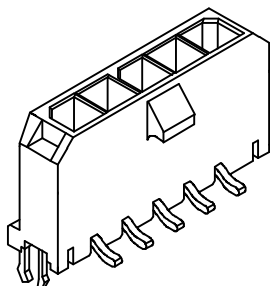
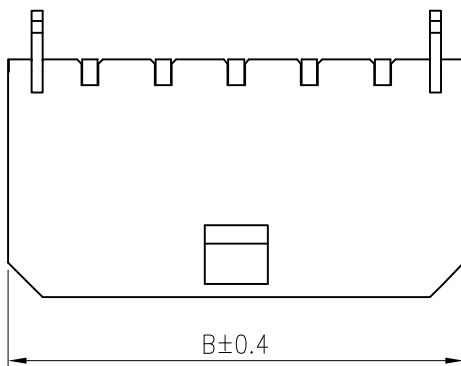
C

D

E

F

1 2 3 4 5 6 7 8 9



- ◆ SPECIFICATIONS
- Current rating: 5A AC, DC
 - Voltage rating: 250V AC,DC
 - Temperature range: -25°C ~ +85°C
 - Insulation resistance: 1000MΩ Min.
 - Withstanding voltage: 1500V AC/ minute.
 - Contact resistance: 10mΩ Max.

Material:
 Insulator: LCP UL 94V-0
 Contact: Brass
 Press-fit: Brass
 Plating: Tin plated
 Circuits: 2~12
 Suitable: KR3000 series single row Housing

PART NO.	Dimension mm	
	A	B
C3000VS00230LP3C	3.0	9.7
C3000VS00330LP3C	6.0	12.7
C3000VS00430LP3C	9.0	15.7
C3000VS00530LP3C	12.0	18.7
C3000VS00630LP3C	15.0	21.7
C3000VS00730LP3C	18.0	24.7
C3000VS00830LP3C	21.0	27.7
C3000VS00930LP3C	24.0	30.7
C3000VS01030LP3C	27.0	33.7
C3000VS01130LP3C	30.0	36.7
C3000VS01230LP3C	33.0	39.7

www.krljq.com

△				GENERAL TOLERANCE	UNIT: mm	DATE	TITLE:		
△				.X±0.30	X°±1°	DRAWN: 朱佑武	Molex 3.0 SMT 180°		
△				.XX±0.20	.X°±	CHECKED:	Wafer with press-fit		
△				.XXX±0.10	.XX°±	APPROVED:	(短体)		
LTR	NAME	DATE	VERSION RECORD				VER.	SCALE:	N/A
1	2	3	4	5	6	7	A	SHEET:	1/1


东莞市康瑞电子有限公司
 DongGuan A Rui Electronic Co., LTD.

PROJECTION	PART NO.	C3000VS***30LP3C
	DRAWING NO.	3000WVS103-3-S