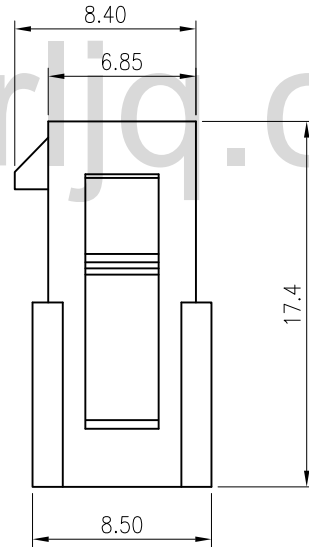
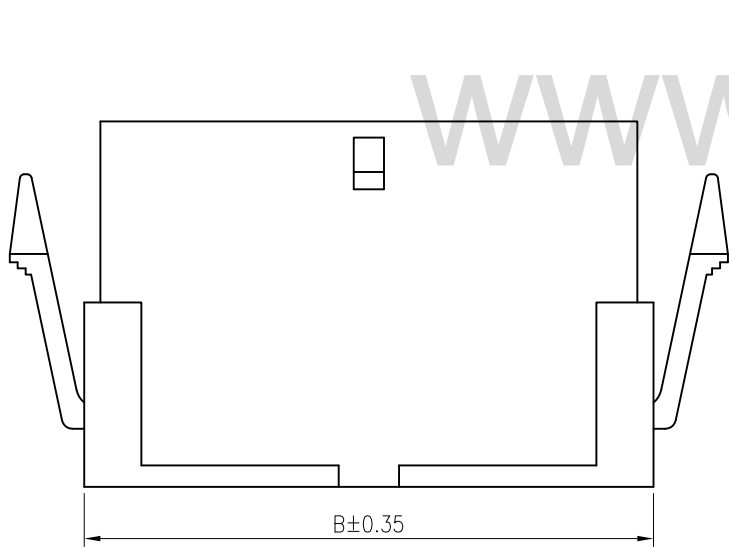


◆ SPECIFICATIONS

- Current rating: 5A AC, DC
- Voltage rating: 250V AC,DC
- Temperature range: -25°C ~ +85°C
- Insulation resistance: 1000MΩ Min.
- Withstanding voltage: 1500V AC/ minute.
- Contact resistance: 10m Ω Max.

Material: Nylon66 UL94 V-2
 Suitable: KR300 series Terminal
 Mates With KR3000 series dual row male housing and KR3000 series dual row wafer



www.krljq.com

| PART NO. | Dimensions | |
|----------------|------------|-------|
| | A | B |
| A3000N20160P60 | --- | 5.50 |
| A3000N20260P60 | 3.0 | 8.50 |
| A3000N20360P60 | 6.0 | 11.50 |
| A3000N20460P60 | 9.0 | 14.50 |
| A3000N20560P60 | 12.0 | 17.50 |
| A3000N20660P60 | 15.0 | 20.50 |
| A3000N20760P60 | 18.0 | 23.50 |
| A3000N20860P60 | 21.0 | 26.50 |
| A3000N20960P60 | 24.0 | 29.50 |
| A3000N21060P60 | 27.0 | 32.50 |
| A3000N21160P60 | 30.0 | 35.50 |
| A3000N21260P60 | 33.0 | 38.50 |

| | | | | | | | | | |
|-----|------|------|----------------|-------------------|----------|------------|-----------------|--------|-----|
| △ | | | | GENERAL TOLERANCE | UNIT: mm | DATE | TITLE: | | |
| △ | | | | .X±0.30 | X°±1° | DRAWN: 闵昕皓 | MX 3.0 Dual Row | | |
| △ | | | | .XX±0.20 | .X°± | CHECKED: | Female Housing | | |
| △ | | | | .XXX±0.10 | .XX°± | APPROVED: | VER. | SCALE: | N/A |
| LTR | NAME | DATE | VERSION RECORD | | | | A | SHEET: | 1/1 |

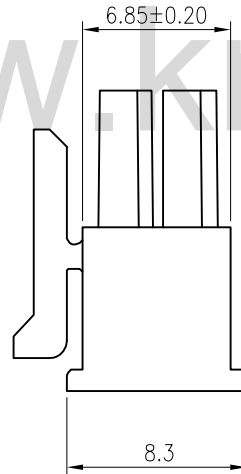
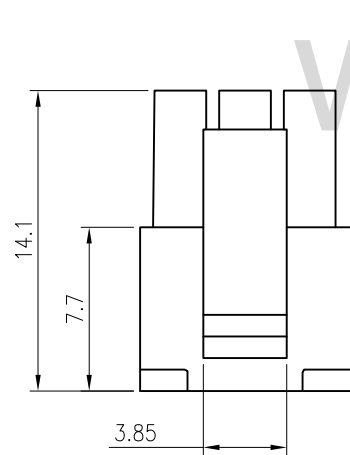
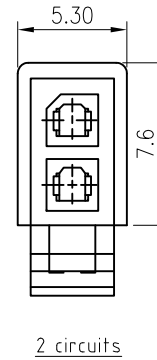
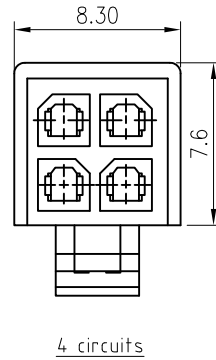
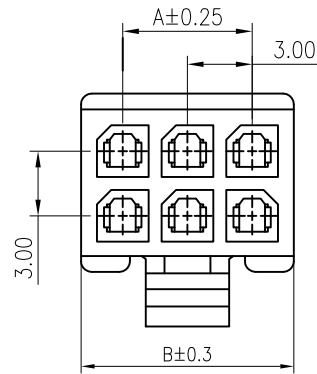

东莞市康瑞电子有限公司
 DongGuan A Rui Electronic Co. LTD.

| | | |
|-------------|----------|----------------|
| PROJECT | PART NO. | A3000N***60P60 |
| DRAWING NO. | | 3000HF201-6-S |

◆ SPECIFICATIONS

- Current rating: 5A AC, DC
- Voltage rating: 250V AC, DC
- Temperature range: -25°C ~ +85°C
- Insulation resistance: 1000MΩ Min.
- Withstanding voltage: 1500V AC/ minute.
- Contact resistance: 10mΩ Max.

Material: Nylon66 UL94 V-2
 Suitable: KR300 series Terminal
 Mates With KR3000 series dual row female housing
 and KR3000 series dual row wafer



| PART NO. | Dimension mm | |
|----------------|--------------|-------|
| | A | B |
| A3000F20160P60 | --- | 3.85 |
| A3000F20260P60 | 3.0 | 6.85 |
| A3000F20360P60 | 6.0 | 9.85 |
| A3000F20460P60 | 9.0 | 12.85 |
| A3000F20560P60 | 12.0 | 15.85 |
| A3000F20660P60 | 15.0 | 18.85 |
| A3000F20760P60 | 18.0 | 21.85 |
| A3000F20860P60 | 21.0 | 24.85 |
| A3000F20960P60 | 24.0 | 27.85 |
| A3000F21060P60 | 27.0 | 30.85 |
| A3000F21160P60 | 30.0 | 33.85 |
| A3000F21260P60 | 33.0 | 37.00 |

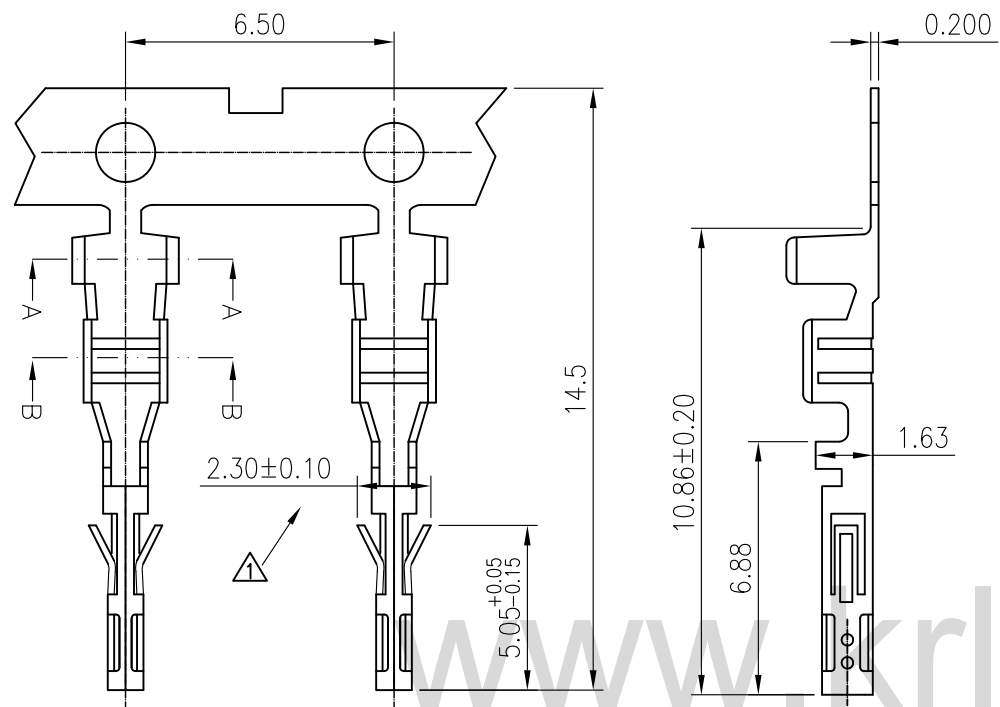
www.krljq.com

| | | | | | | | | | |
|-----|------|------|-----------------|-------------------|----------|------------|------------------------------|--|--|
| △ | | | | GENERAL TOLERANCE | UNIT: mm | DATE | TITLE: | | |
| △ | | | | .X±0.30 | X°±1° | DRAWN: 闵昕皓 | MX 3.0 Dual Row male Housing | | |
| △ | | | | .XX±0.20 | .X°± | CHECKED: | VER. SCALE: N/A | | |
| △ | | | | .XXX±0.10 | .XX°± | APPROVED: | A SHEET: 1/1 | | |
| LTR | NAME | DATE | VERISION RECORD | | | | | | |



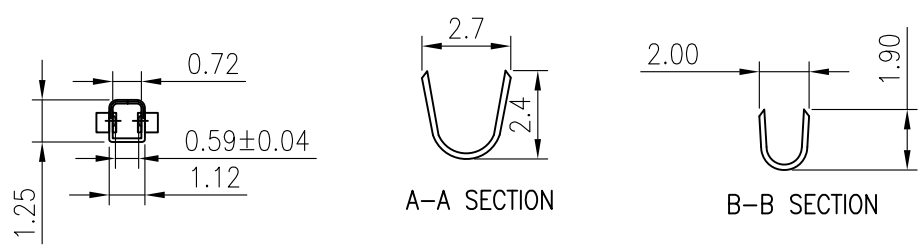
东莞市康瑞电子有限公司
DongGuan A Rui Electronic Co. LTD.

| | | |
|-------------|----------|----------------|
| PROJECT | PART NO. | A3000F***60P60 |
| DRAWING NO. | | 3000HM201-6-S |



- ◆ SPECIFICATIONS
- Current rating: 5A AC, DC
 - Voltage rating: 250V AC, DC
 - Temperature range: -25°C ~ +85°C
 - Insulation resistance: 1000MΩ Min.
 - Withstanding voltage: 1500V AC/ minute.
 - Contact resistance: 10mΩ Max.

Material: Phosphor Bronze
 Finish: Tin plated over Nickel
 Applicable wires: AWG #20~#24
 Insulation O.D 1.30~1.80 mm
 Suitable: KR3000 series Housing
 Qty/reel: 10,000PCS

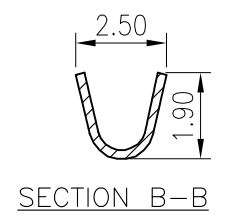
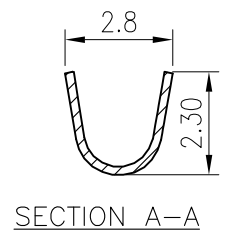
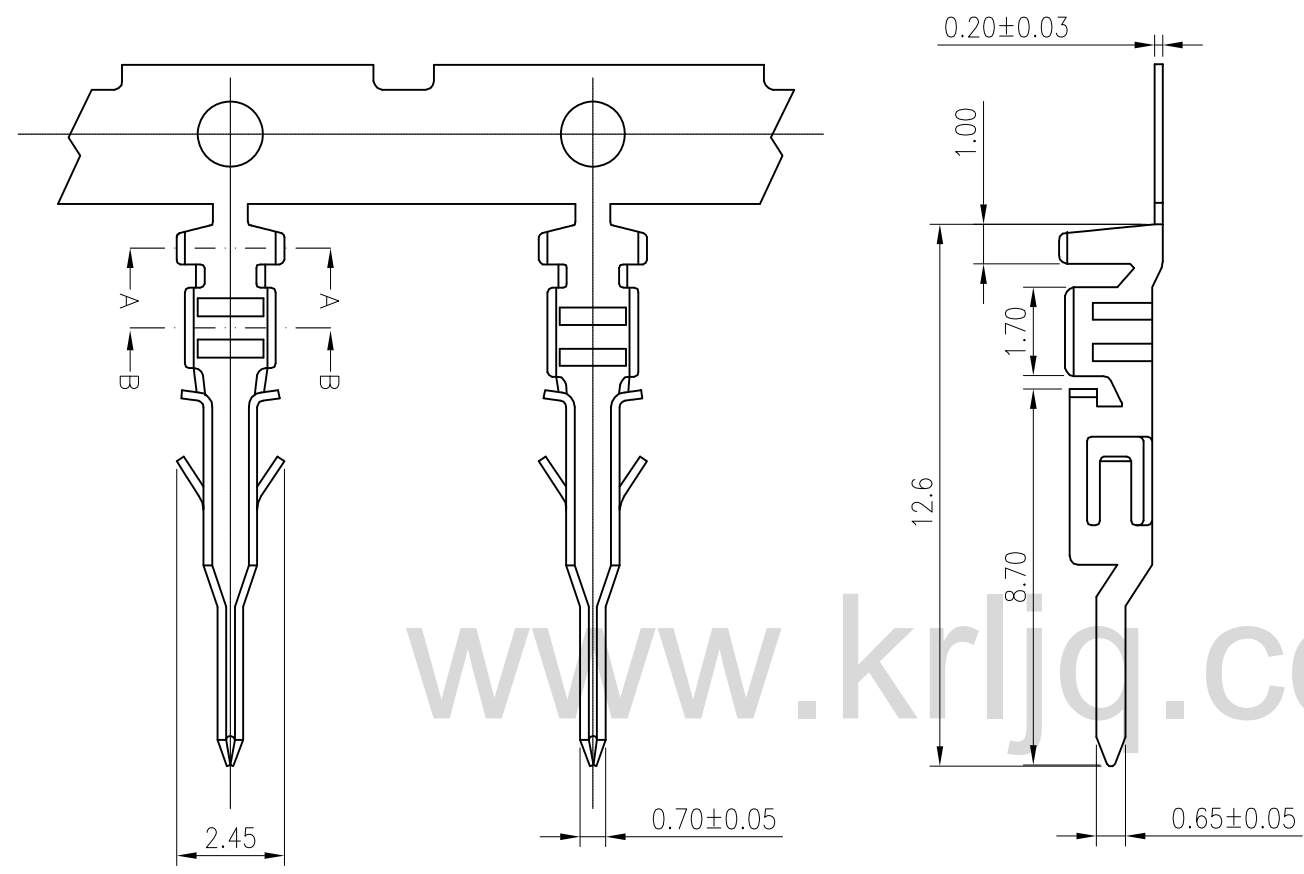


B3000M*4AA100
 T:镀锡
 B:半金
 G:全金
 L:素材
 1:先冲后镀
 3:素材

| | | | | | | | | | | | | | | | | | | | | | | | | | | | | | | | |
|--|-----|------------|------|---|---|---|---|--------------------------------|---|---|--------------------------|---|--|--|--|---|-----|------------|------|--|--|---|--|--------------------|--|---|--|--|--|--|--|
| <table border="1"> <tr> <td>▲</td> <td></td> <td></td> <td></td> </tr> <tr> <td>▲</td> <td></td> <td></td> <td></td> </tr> <tr> <td>▲</td> <td></td> <td></td> <td></td> </tr> <tr> <td>▲</td> <td>龙一蛟</td> <td>2014.11.14</td> <td>新增一款</td> </tr> </table> | | | | ▲ | | | | ▲ | | | | ▲ | | | | ▲ | 龙一蛟 | 2014.11.14 | 新增一款 | GENERAL TOLERANCE .X±0.30 X°±1° .XX±0.20 .X°± .XXX±0.10 .XX°± | | UNIT: mm DRAWN: 龙一蛟 CHECKED: APPROVED: | | DATE 2014.11.14 | | TITLE: Molex 3.0 母 Terminal 弹片尺寸 2.30 VER. SCALE: N/A A SHEET: 1/1 | | | 东莞市康瑞电子有限公司 DongGuan A Rui Electronics Co. LTD. | | |
| ▲ | | | | | | | | | | | | | | | | | | | | | | | | | | | | | | | |
| ▲ | | | | | | | | | | | | | | | | | | | | | | | | | | | | | | | |
| ▲ | | | | | | | | | | | | | | | | | | | | | | | | | | | | | | | |
| ▲ | 龙一蛟 | 2014.11.14 | 新增一款 | | | | | | | | | | | | | | | | | | | | | | | | | | | | |
| LTR NAME DATE VERISION RECORD | | | | | | | | PROJECT PART NO. B3000M*4AA*00 | | | DRAWING NO. 3000TF01-4-S | | | | | | | | | | | | | | | | | | | | |
| 1 | 2 | 3 | 4 | 5 | 6 | 7 | 8 | 9 | 1 | 2 | 3 | 4 | | | | | | | | | | | | | | | | | | | |

- ◆SPECIFICATIONS
- Current rating: 5A AC, DC
 - Voltage rating: 250V AC,DC
 - Temperature range: -25°C ~ +85°C
 - Insulation resistance: 1000MΩ Min.
 - Withstanding voltage: 1500V AC/ minute.
 - Contact resistance: 10m Ω Max.

Terminal:
 Material: Phosphor Bronze
 Finish: Tin Plated over Nickel
 Applicable wires:
 AWG #28~#24
 Insulation O.D.: 1.80mm Max.
 Suitable:KR300HM series Housing
 Qty/reel:10,000PCS



www.krljq.com

| | | | | | | | | | | | | |
|-----|------|------|-----------------|-------------------|---|------------|---|-----------|--|------------------------|--------------------------|--|
| △ | | | | GENERAL TOLERANCE | | UNIT: mm | | DATE | | TITLE: | | |
| ③ | | | | .X±0.30 X°±1° | | DRAWN: 闵昕皓 | | 2013.8.27 | | Molex 3.0 公 Terminal | | |
| △ | | | | .XX±0.20 .X°± | | CHECKED: | | | | PROJECT | | |
| △ | | | | .XXX±0.10 .XX°± | | APPROVED: | | | | PART NO. B3000FT5AA100 | | |
| LTR | NAME | DATE | VERISION RECORD | | | | | | | | DRAWING NO. 3000TM01-5-S | |
| 1 | 2 | 3 | 4 | 5 | 6 | 7 | 8 | 9 | | | | |

PROJECT PART NO. B3000FT5AA100
 DRAWING NO. 3000TM01-5-S

1 2 3 4 5 6 7 8 9

A

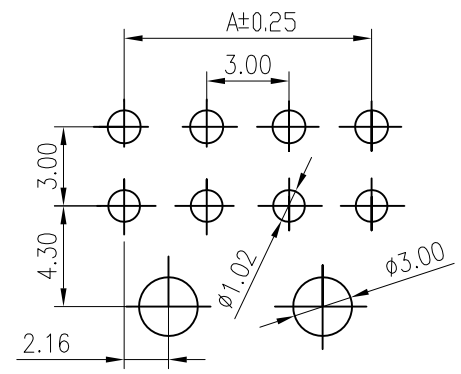
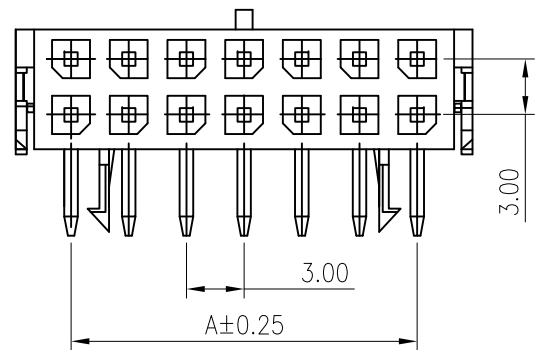
B

C

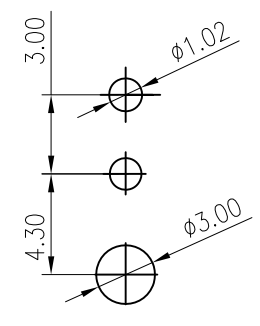
D

E

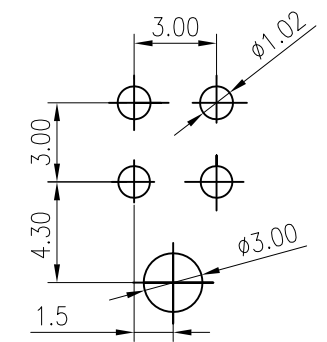
F



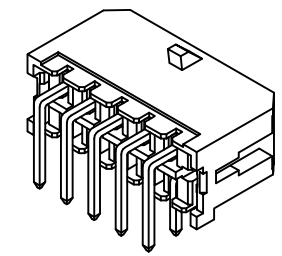
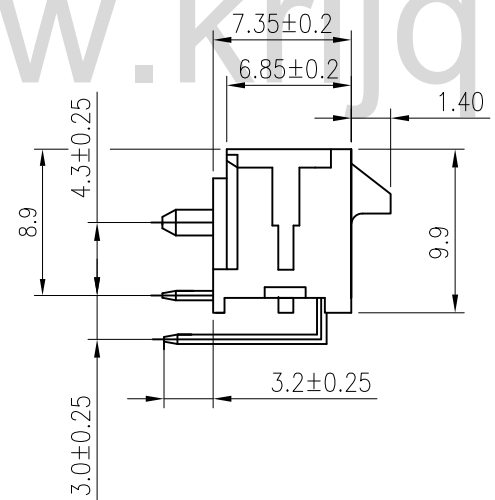
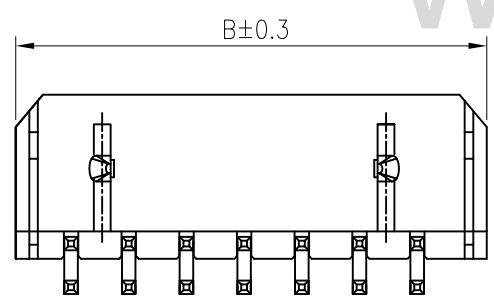
8P~24P P.C.B LAYOUT



2P P.C.B LAYOUT



4P~6P P.C.B LAYOUT



C3000RD***30P4*0
 PIN数
 LP:LCP料
 P4:PA46料
 0:镀锡
 P:Gold Flash
 J:镀金3u"
 3:袋装
 4:盒装

- ◆ SPECIFICATIONS
- Current rating: 5A AC, DC
 - Voltage rating: 250V AC, DC
 - Temperature range: -25°C ~ +85°C
 - Insulation resistance: 1000MΩ Min.
 - Withstanding voltage: 1500V AC/ minute.
 - Contact resistance: 10mΩ Max.

Material:
 Insulator: PA46 UL 94V-0
 Contact: Brass
 Plating: Tin plated
 Circuits: 2~24
 Suitable: KR3000 series dual row Housing

| PART NO. | Dimension | |
|------------------|-----------|-------|
| | A | B |
| C3000RD20130P4*0 | — | 6.65 |
| C3000RD20230P4*0 | 3.0 | 9.65 |
| C3000RD20330P4*0 | 6.0 | 12.65 |
| C3000RD20430P4*0 | 9.0 | 15.65 |
| C3000RD20530P4*0 | 12.0 | 18.65 |
| C3000RD20630P4*0 | 15.0 | 21.65 |
| C3000RD20730P4*0 | 18.0 | 24.65 |
| C3000RD20830P4*0 | 21.0 | 27.65 |
| C3000RD20930P4*0 | 24.0 | 30.65 |
| C3000RD21030P4*0 | 27.0 | 33.65 |
| C3000RD21130P4*0 | 30.0 | 36.65 |
| C3000RD21230P4*0 | 33.0 | 39.65 |

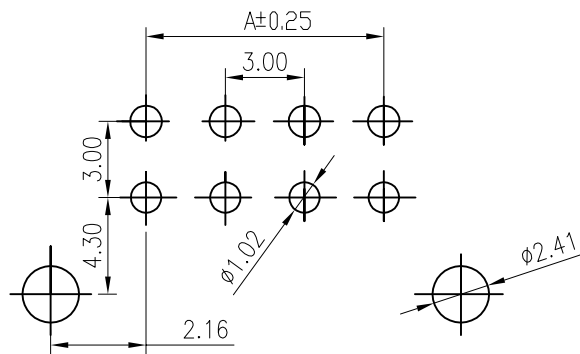
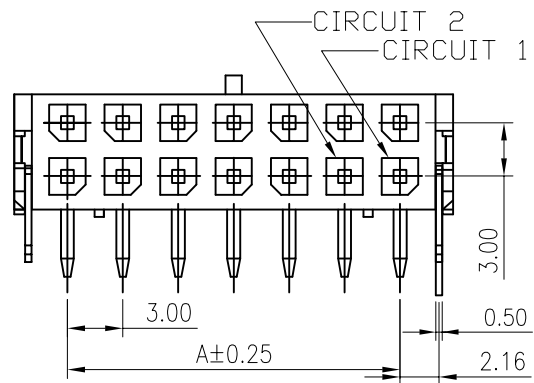
| | | | |
|-----|------|------|-----------------|
| △ | | | |
| △ | | | |
| △ | | | |
| △ | | | |
| LTR | NAME | DATE | VERISION RECORD |
| 1 | 2 | 3 | 4 |

| | | | | | |
|-------------------|--------|---------------|------------|----------------------------|---------------------------|
| GENERAL TOLERANCE | | UNIT: mm | DATE | TITLE: | |
| .X ±0.3 | X° ±1° | | | Molex 3.0 DIP 双排 90° Wafer | |
| .XX ±0.2 | .X° | DRAWN: 朱佑武 | 2013.01.09 | VER. | SCALE: N/A |
| .XXX ±0.1 | | CHECKED: | | PROJ | PART NO. C3000RD***30P4*0 |
| | | APPROVED: 周志龙 | 2013.01.09 | A | SHEET: 1/1 |


东莞市康瑞电子有限公司
 DongGuan A Rul Electronic Co. LTD.

DRAWING NO. 3000WHD201-3-S

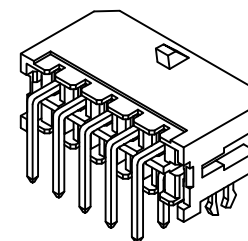
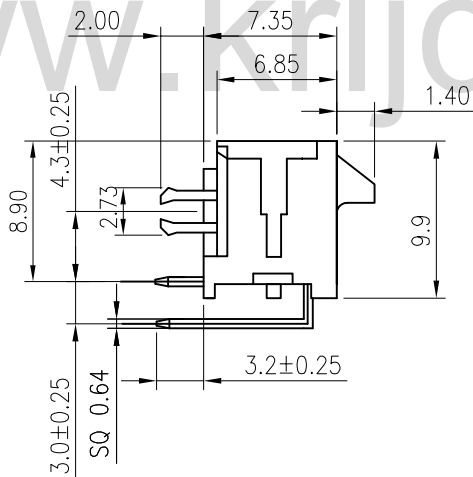
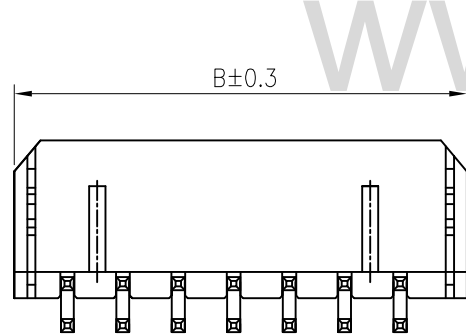
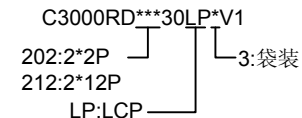
1 2 3 4 5 6 7 8 9



P.C.B LAYOUT

- ◆SPECIFICATIONS
- Current rating: 5A AC, DC
 - Voltage rating: 250V AC,DC
 - Temperature range: -25°C ~ +85°C
 - Insulation resistance: 1000MΩ Min.
 - Withstanding voltage: 1500V AC/ minute.
 - Contact resistance: 10mΩ Max.

Material:
 Insulator: LCP UL 94V-0
 Contact: Brass/Bright Tin
 Solder nail: Brass/Matte Tin
 Plating: Tin plated over Nickel
 Circuits: 2*1~2*12
 Suitable: KR3000 series dual row Housing

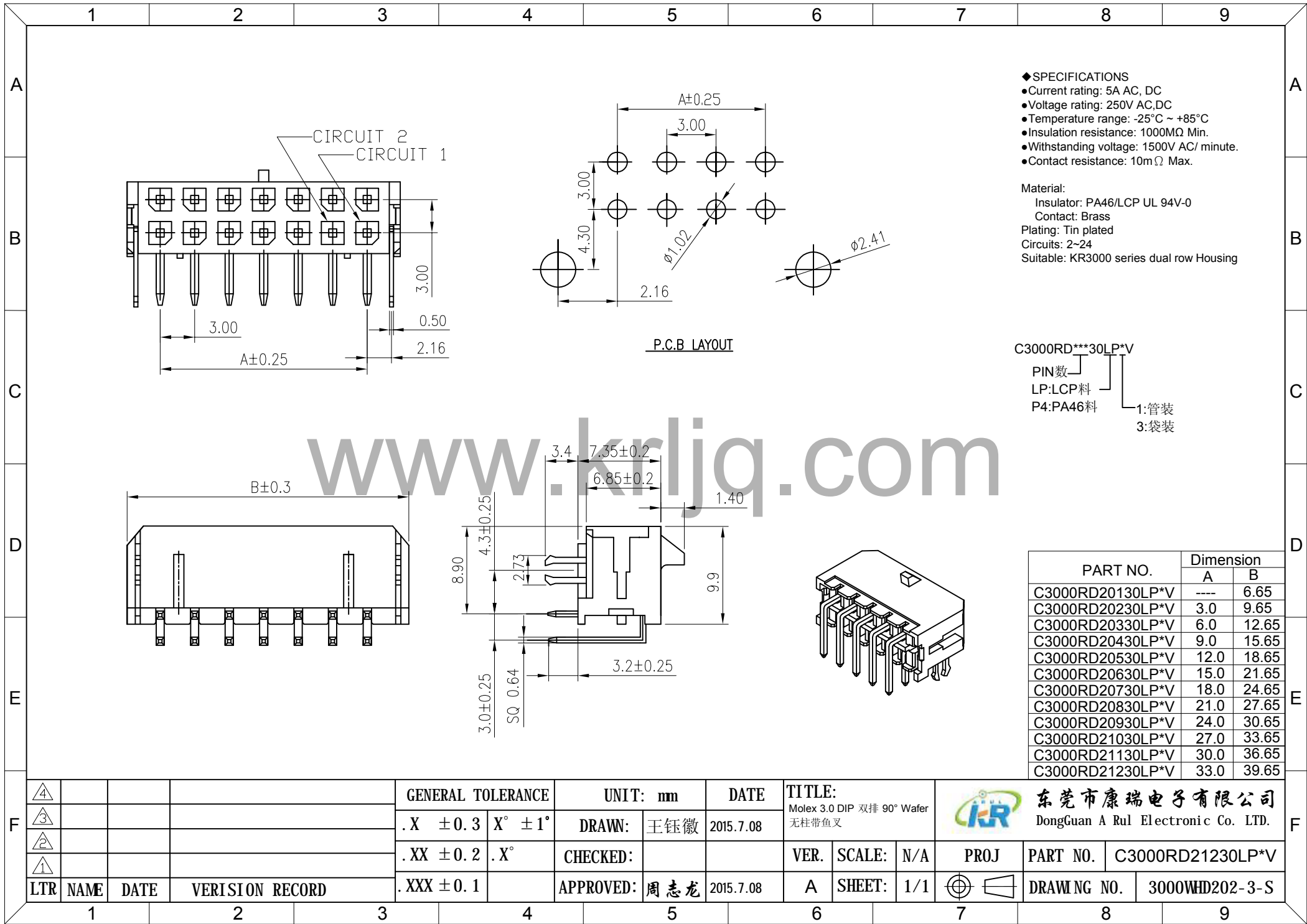


| PART NO. | Dimension | |
|-------------------|-----------|-------|
| | A | B |
| C3000RD20130LP*V1 | ---- | 6.65 |
| C3000RD20230LP*V1 | 3.0 | 9.65 |
| C3000RD20330LP*V1 | 6.0 | 12.65 |
| C3000RD20430LP*V1 | 9.0 | 15.65 |
| C3000RD20530LP*V1 | 12.0 | 18.65 |
| C3000RD20630LP*V1 | 15.0 | 21.65 |
| C3000RD20730LP*V1 | 18.0 | 24.65 |
| C3000RD20830LP*V1 | 21.0 | 27.65 |
| C3000RD20930LP*V1 | 24.0 | 30.65 |
| C3000RD21030LP*V1 | 27.0 | 33.65 |
| C3000RD21130LP*V1 | 30.0 | 36.65 |
| C3000RD21230LP*V1 | 33.0 | 39.65 |

| | | | | | | | | | | | |
|---|-----|------|------|-------------------|---------------|-----------|---|------------|------|----------------------------|----------------------------|
| F | ④ | | | GENERAL TOLERANCE | UNIT: mm | DATE | TITLE: Molex 3.0 DIP 双排 90° Wafer 无柱带鱼叉(短体) | | | | |
| | ③ | | | .X ±0.3 X° ±1° | DRAWN: 王钰徽 | 2015.7.08 | VER. | SCALE: | N/A | PROJ | PART NO. C3000RD***30LP*V1 |
| | ② | | | .XX ±0.2 .X° | CHECKED: | | | | | | |
| | ① | | | .XXX ±0.1 | APPROVED: 周志龙 | 2015.7.08 | A | SHEET: 1/1 | PROJ | DRAWING NO. 3000WHD203-3-S | |
| | LTR | NAME | DATE | VERISION RECORD | | | | | | | |



东莞市康瑞电子有限公司
 DongGuan A Rul Electronic Co. LTD.




- ◆SPECIFICATIONS
- Current rating: 5A AC, DC
 - Voltage rating: 250V AC,DC
 - Temperature range: -25°C ~ +85°C
 - Insulation resistance: 1000MΩ Min.
 - Withstanding voltage: 1500V AC/ minute.
 - Contact resistance: 10mΩ Max.

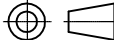
Material:
 Insulator: PA46/LCP UL 94V-0
 Contact: Brass
 Plating: Tin plated
 Circuits: 2~24
 Suitable: KR3000 series dual row Housing

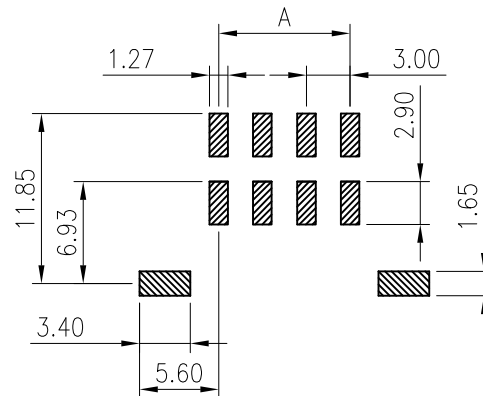
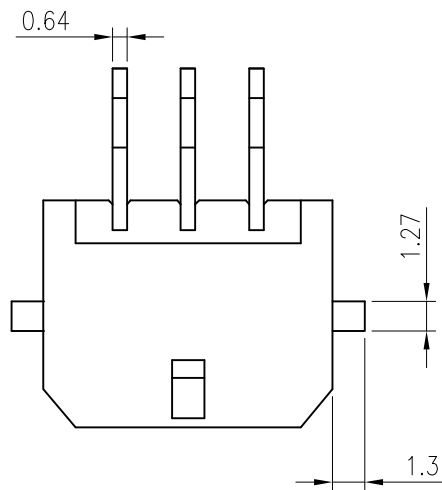
C3000RD***30LP*V
 PIN数
 LP:LCP料
 P4:PA46料
 1:管装
 3:袋装

| PART NO. | Dimension | |
|------------------|-----------|-------|
| | A | B |
| C3000RD20130LP*V | ---- | 6.65 |
| C3000RD20230LP*V | 3.0 | 9.65 |
| C3000RD20330LP*V | 6.0 | 12.65 |
| C3000RD20430LP*V | 9.0 | 15.65 |
| C3000RD20530LP*V | 12.0 | 18.65 |
| C3000RD20630LP*V | 15.0 | 21.65 |
| C3000RD20730LP*V | 18.0 | 24.65 |
| C3000RD20830LP*V | 21.0 | 27.65 |
| C3000RD20930LP*V | 24.0 | 30.65 |
| C3000RD21030LP*V | 27.0 | 33.65 |
| C3000RD21130LP*V | 30.0 | 36.65 |
| C3000RD21230LP*V | 33.0 | 39.65 |

| | | | | | | | | | | | | | | |
|-----|------|------|-----------------|-------------------|--------|---------------|--|-----------|--|---|------------|----------|------------------|--|
| ④ | | | | GENERAL TOLERANCE | | UNIT: mm | | DATE | | TITLE: Molex 3.0 DIP 双排 90° Wafer 无柱带鱼叉 | | | | |
| ③ | | | | .X ±0.3 | X° ±1° | DRAWN: 王钰徽 | | 2015.7.08 | | | | | | |
| ② | | | | .XX ±0.2 | .X° | CHECKED: | | | | VER. | SCALE: N/A | | | |
| ① | | | | .XXX ±0.1 | | APPROVED: 周志龙 | | 2015.7.08 | | A | SHEET: 1/1 | | | |
| LTR | NAME | DATE | VERISION RECORD | | | | | | | | PROJ | PART NO. | C3000RD21230LP*V | |

 东莞市康瑞电子有限公司
 DongGuan A Rul Electronic Co. LTD.

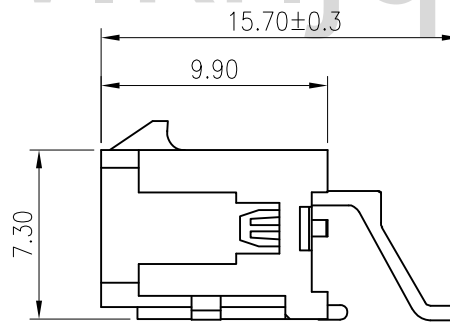
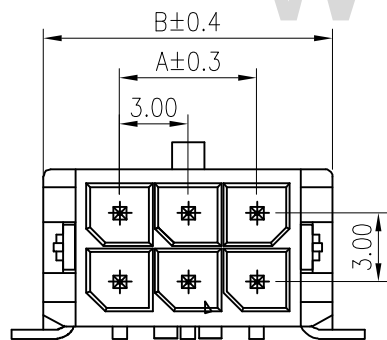
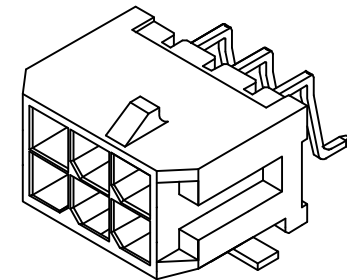
 DRAWING NO. 3000WHD202-3-S



P.C.B. LAYOUT

- ◆ SPECIFICATIONS
- Current rating: 5A AC, DC
 - Voltage rating: 250V AC, DC
 - Temperature range: -25°C ~ +85°C
 - Insulation resistance: 1000MΩ Min.
 - Withstanding voltage: 1500V AC/ minute.
 - Contact resistance: 10mΩ Max.

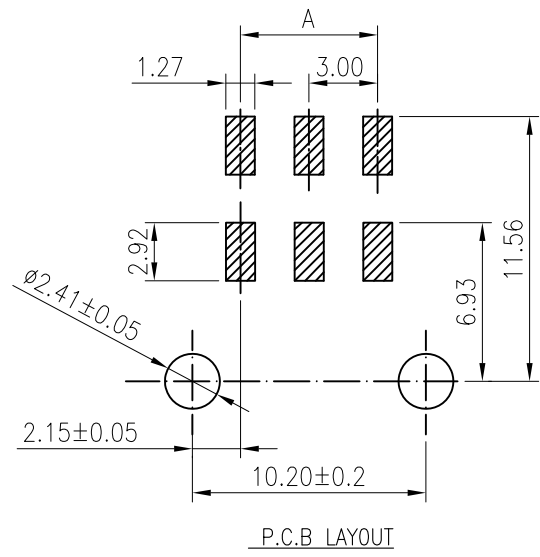
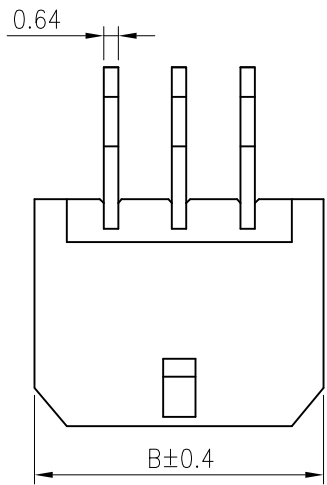
Material:
 Insulator: LCP UL 94V-0
 Contact: Brass
 Solder nail: Brass
 Plating: Tin plated
 Circuits: 2~24
 Suitable: KR3000 series dual row Housing



| PART NO. | Dimension mm | |
|------------------|--------------|-------|
| | A | B |
| C3000RS20130LP2B | -- | 6.65 |
| C3000RS20230LP2B | 3.0 | 9.65 |
| C3000RS20330LP2B | 6.0 | 12.65 |
| C3000RS20430LP2B | 9.0 | 15.65 |
| C3000RS20530LP2B | 12.0 | 18.65 |
| C3000RS20630LP2B | 15.0 | 21.65 |
| C3000RS20730LP2B | 18.0 | 24.65 |
| C3000RS20830LP2B | 21.0 | 27.65 |
| C3000RS20930LP2B | 24.0 | 30.65 |
| C3000RS21030LP2B | 27.0 | 33.65 |
| C3000RS21130LP2B | 30.0 | 36.65 |
| C3000RS21230LP2B | 33.0 | 39.65 |

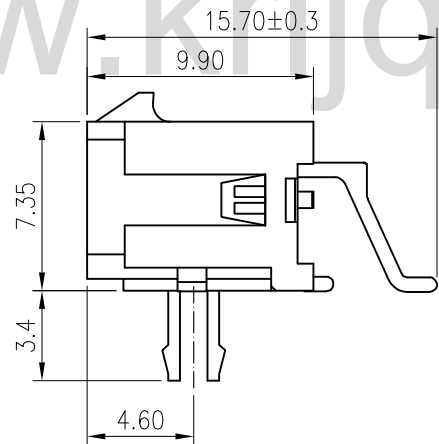
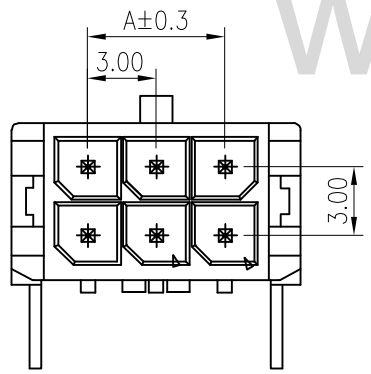
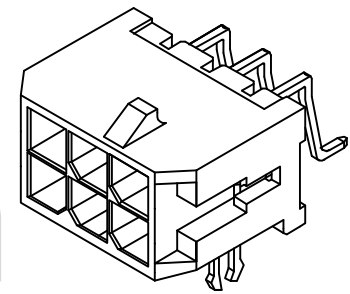
www.krljq.com

| | | | | | | | | | | | | |
|---|-----|------|------|-------------------|---------------|------------|--|------------|-------------|---|---|---------------------------|
| F | △ | | | GENERAL TOLERANCE | UNIT: mm | DATE | TITLE: Molex 3.0 SMT dual row 90° Wafer with tab | | | 东莞市康瑞电子有限公司 DongGuan A Rui Electronic Co. LTD. | F | |
| | △ | | | .X ±0.3 X° ±1° | DRAWN: 朱佑武 | 2013.01.09 | VER. | SCALE: N/A | PROJ | | | PART NO. C3000RS***30LP2B |
| | △ | | | .XX ±0.2 .X° | CHECKED: | | A | SHEET: 1/1 | DRAWING NO. | | | 3000WHS201-3-S |
| | △ | | | .XXX ±0.1 | APPROVED: 周志龙 | 2013.01.09 | | | | | | |
| | LTR | NAME | DATE | VERISION RECORD | | | | | | | | |
| | 1 | 2 | 3 | 4 | 5 | 6 | 7 | 8 | 9 | | | |



- ◆ SPECIFICATIONS
- Current rating: 5A AC, DC
 - Voltage rating: 250V AC, DC
 - Temperature range: -25°C ~ +85°C
 - Insulation resistance: 1000MΩ Min.
 - Withstanding voltage: 1500V AC/ minute.
 - Contact resistance: 10m Ω Max.

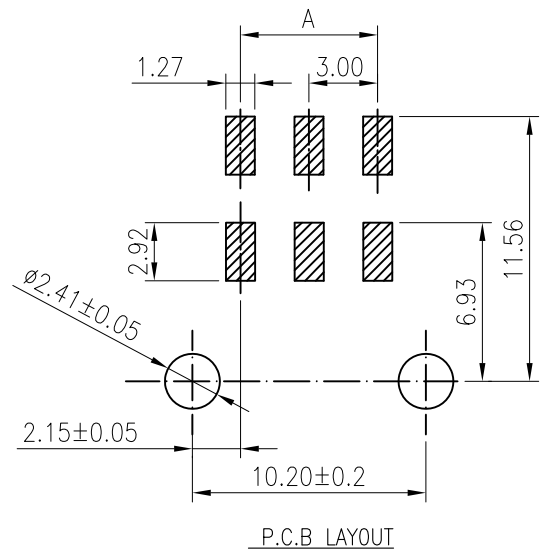
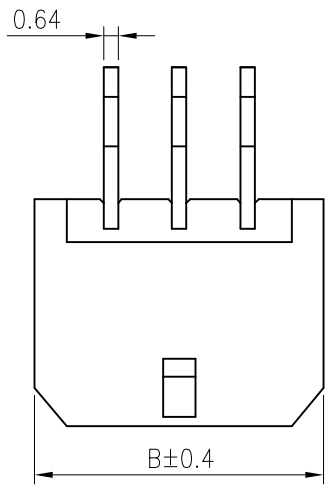
Material:
 Insulator: LCP UL 94V-0
 Contact: Brass
 press-fit: Brass
 Plating: Tin plated
 Circuits: 2~24
 Suitable: KR3000 series dual row Housing



www.krljq.com

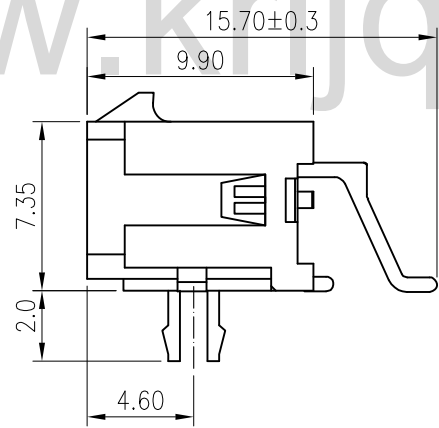
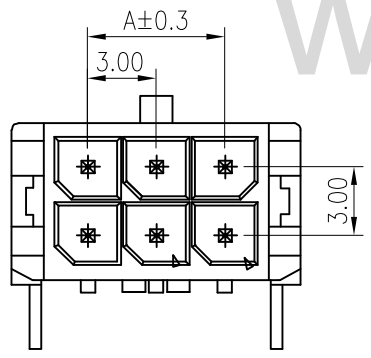
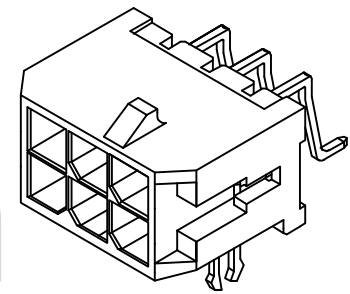
| PART NO. | Dimension mm | |
|------------------|--------------|-------|
| | A | B |
| C3000RS20130LP3A | ---- | 6.65 |
| C3000RS20230LP3A | 3.0 | 9.65 |
| C3000RS20330LP3A | 6.0 | 12.65 |
| C3000RS20430LP3A | 9.0 | 15.65 |
| C3000RS20530LP3A | 12.0 | 18.65 |
| C3000RS20630LP3A | 15.0 | 21.65 |
| C3000RS20730LP3A | 18.0 | 24.65 |
| C3000RS20830LP3A | 21.0 | 27.65 |
| C3000RS20930LP3A | 24.0 | 30.65 |
| C3000RS21030LP3A | 27.0 | 33.65 |
| C3000RS21130LP3A | 30.0 | 36.65 |
| C3000RS21230LP3A | 33.0 | 39.65 |

| | | | | | | | | | | | | |
|-----|------|------|-------------------|-----------|---------------|--|------|--------|--|----------------------------|----------|------------------|
| | | | GENERAL TOLERANCE | UNIT: mm | DATE | TITLE: Molex 3.0 SMT dual row 90° Wafer with press-fit | | | 东莞市康瑞电子有限公司 DongGuan A Rul Electronic Co. LTD. | | | |
| | | | .X ±0.3 | X° ±1° | DRAWN: 朱佑武 | 2013.01.09 | VER. | SCALE: | N/A | PROJ | PART NO. | C3000RS***30LP3A |
| | | | .XX ±0.2 | .X° | CHECKED: | | A | SHEET: | 1/1 | DRAWING NO. 3000WHS202-3-S | | |
| LTR | NAME | DATE | VERISION RECORD | .XXX ±0.1 | APPROVED: 周志龙 | 2013.01.09 | | | | | | |
| 1 | 2 | 3 | 4 | 5 | 6 | 7 | 8 | 9 | | | | |



- ◆ SPECIFICATIONS
- Current rating: 5A AC, DC
 - Voltage rating: 250V AC, DC
 - Temperature range: -25°C ~ +85°C
 - Insulation resistance: 1000MΩ Min.
 - Withstanding voltage: 1500V AC/ minute.
 - Contact resistance: 10m Ω Max.

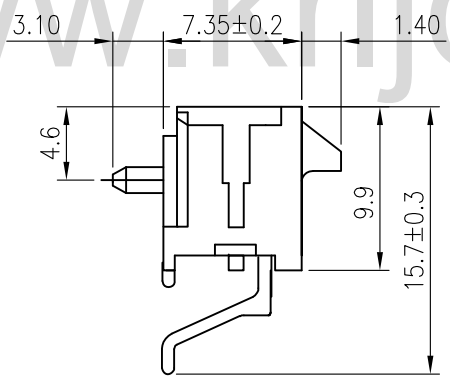
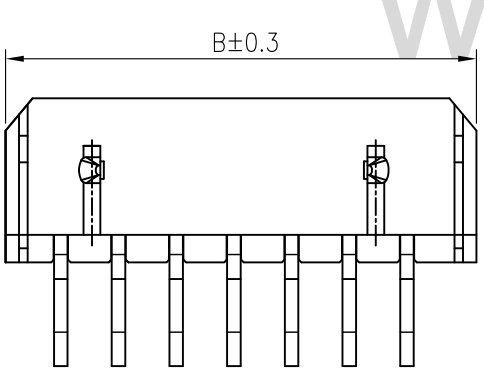
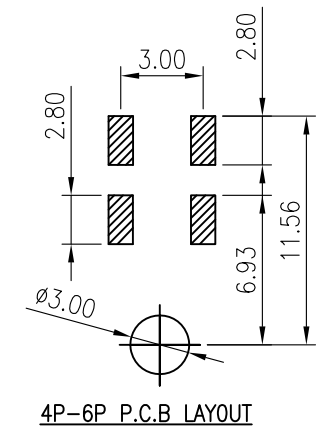
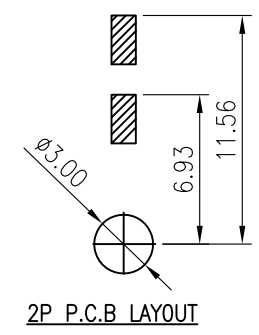
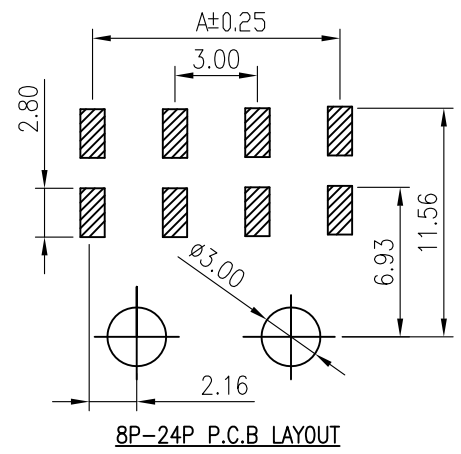
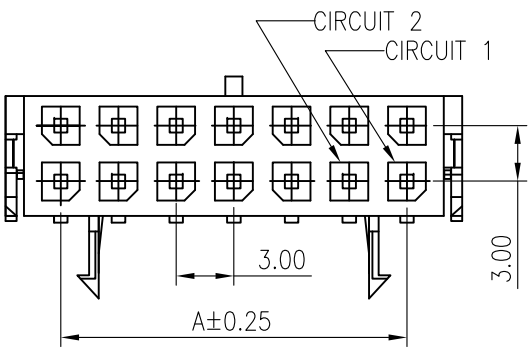
Material:
 Insulator: LCP UL 94V-0
 Contact: Brass
 press-fit: Brass
 Plating: Tin plated
 Circuits: 2~24
 Suitable: KR3000 series dual row Housing



| PART NO. | Dimension | |
|-------------------|-----------|-------|
| | A | B |
| C3000RS20130LP3A1 | --- | 6.65 |
| C3000RS20230LP3A1 | 3.0 | 9.65 |
| C3000RS20330LP3A1 | 6.0 | 12.65 |
| C3000RS20430LP3A1 | 9.0 | 15.65 |
| C3000RS20530LP3A1 | 12.0 | 18.65 |
| C3000RS20630LP3A1 | 15.0 | 21.65 |
| C3000RS20730LP3A1 | 18.0 | 24.65 |
| C3000RS20830LP3A1 | 21.0 | 27.65 |
| C3000RS20930LP3A1 | 24.0 | 30.65 |
| C3000RS21030LP3A1 | 27.0 | 33.65 |
| C3000RS21130LP3A1 | 30.0 | 36.65 |
| C3000RS21230LP3A1 | 33.0 | 39.65 |

www.krljq.com

| | | | | | | | | | | | | |
|-----|------|------|-------------------|-----------|---------------|--|------|--------|--|----------------------------|----------|-------------------|
| | | | GENERAL TOLERANCE | UNIT: mm | DATE | TITLE: Molex 3.0 SMT dual row 90° Wafer with press-fit(短体) | | | 东莞市康瑞电子有限公司 DongGuan A Rul Electronic Co. LTD. | | | |
| | | | .X ±0.3 | X° ±1° | DRAWN: 朱佑武 | 2013.01.09 | VER. | SCALE: | N/A | PROJ | PART NO. | C3000RS***30LP3A1 |
| | | | .XX ±0.2 | .X° | CHECKED: | | A | SHEET: | 1/1 | DRAWING NO. 3000WHS203-3-S | | |
| LTR | NAME | DATE | VERISION RECORD | .XXX ±0.1 | APPROVED: 周志龙 | 2013.01.09 | | | | | | |
| 1 | 2 | 3 | 4 | 5 | 6 | 7 | 8 | 9 | | | | |



Material:
 Insulator: LCP UL 94V-0
 Contact: Brass
 Plating: Tin plated
 Circuits: 2~24
 Suitable: KR3000 series dual row Housing

- ◆ SPECIFICATIONS
- Current rating: 5A AC, DC
 - Voltage rating: 250V AC, DC
 - Temperature range: -25°C ~ +85°C
 - Insulation resistance: 1000MΩ Min.
 - Withstanding voltage: 1500V AC/ minute.
 - Contact resistance: 10mΩ Max.

| PART NO. | Dimensions | |
|------------------|------------|-------|
| | A | B |
| C3000RS20130LP3C | --- | 6.65 |
| C3000RS20230LP3C | 3.0 | 9.65 |
| C3000RS20330LP3C | 6.0 | 12.65 |
| C3000RS20430LP3C | 9.0 | 15.65 |
| C3000RS20530LP3C | 12.0 | 18.65 |
| C3000RS20630LP3C | 15.0 | 21.65 |
| C3000RS20730LP3C | 18.0 | 24.65 |
| C3000RS20830LP3C | 21.0 | 27.65 |
| C3000RS20930LP3C | 24.0 | 30.65 |
| C3000RS21030LP3C | 27.0 | 33.65 |
| C3000RS21130LP3C | 30.0 | 36.65 |
| C3000RS21230LP3C | 33.0 | 39.65 |

| | | | |
|-----|------|------|----------------|
| △ | | | |
| △ | | | |
| △ | | | |
| △ | | | |
| LTR | NAME | DATE | VERSION RECORD |
| 1 | 2 | 3 | |

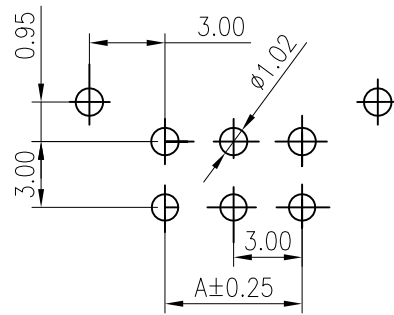
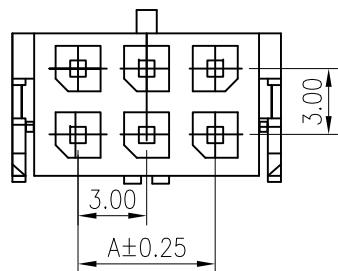
| | | | |
|-------------------|--------|---------------|------------|
| GENERAL TOLERANCE | | UNIT: mm | DATE |
| .X ±0.3 | X° ±1° | DRAWN: 朱佑武 | 2013.01.09 |
| .XX ±0.2 | .X° | CHECKED: | |
| .XXX ±0.1 | | APPROVED: 周志龙 | 2013.01.09 |

TITLE: Molex 3.0 SMT dual row 90° Wafer with lock

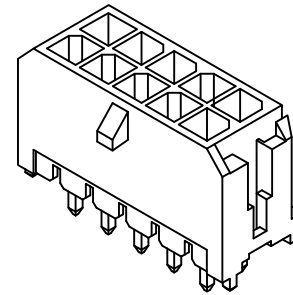
VER. SCALE: N/A PROJ PART NO. C3000RS***30LP3C

SHEET: 1/1 DRAWING NO. 3000WHS204-3-S

东莞市康瑞电子有限公司
DongGuan A Rui Electronic Co. LTD.

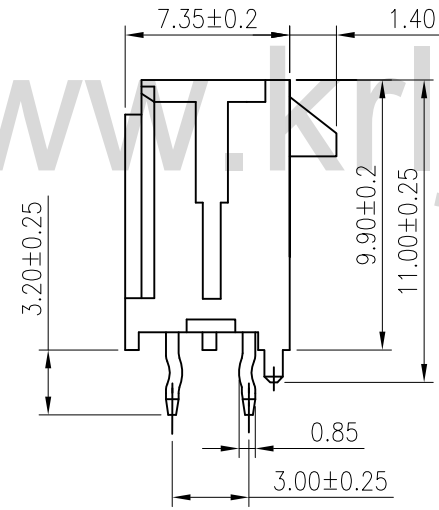
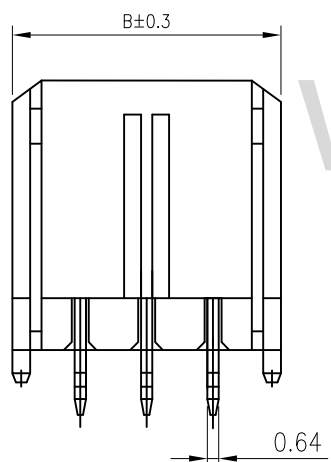


P.C.B LAYOUT



- ◆SPECIFICATIONS
- Current rating: 5A AC, DC
 - Voltage rating: 250V AC,DC
 - Temperature range: -25°C ~ +85°C
 - Insulation resistance: 1000MΩ Min.
 - Withstanding voltage: 1500V AC/ minute.
 - Contact resistance: 10m Ω Max.

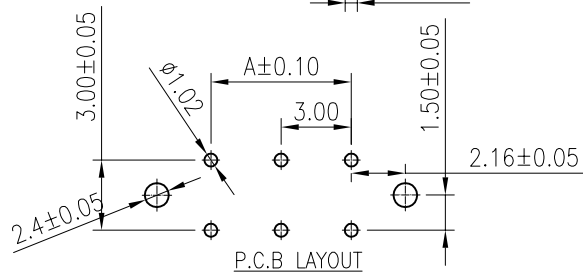
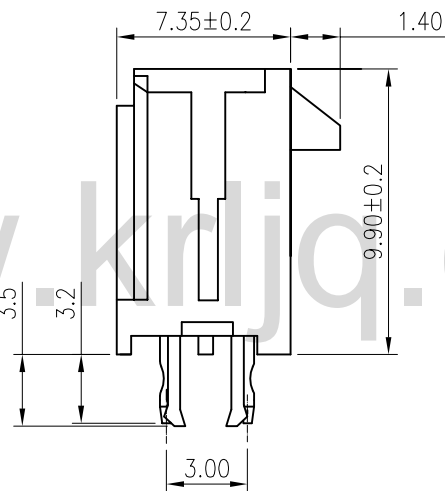
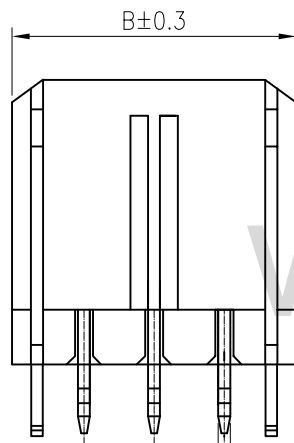
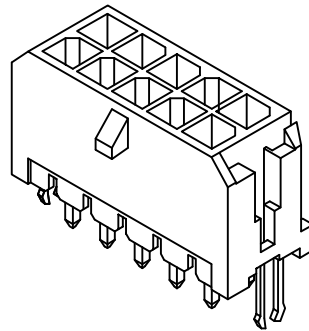
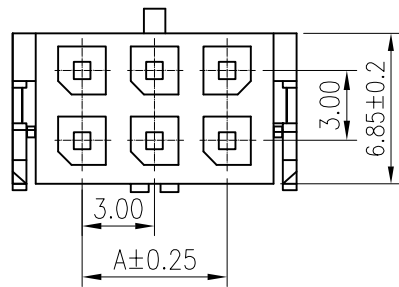
Material:
 Insulator: PA46 UL 94V-0
 Contact: Brass
 Plating: Tin plated
 Circuits: 2~24
 Suitable: KR3000 series dual row Housing



www.krijq.com

| PART NO. | Dimension mm | |
|------------------|--------------|-------|
| | A | B |
| C3000VD20130P440 | ---- | 6.65 |
| C3000VD20230P440 | 3.0 | 9.65 |
| C3000VD20330P440 | 6.0 | 12.65 |
| C3000VD20430P440 | 9.0 | 15.65 |
| C3000VD20530P440 | 12.0 | 18.65 |
| C3000VD20630P440 | 15.0 | 21.65 |
| C3000VD20730P440 | 18.0 | 24.65 |
| C3000VD20830P440 | 21.0 | 27.65 |
| C3000VD20930P440 | 24.0 | 30.65 |
| C3000VD21030P440 | 27.0 | 33.65 |
| C3000VD21130P440 | 30.0 | 36.65 |
| C3000VD21230P440 | 33.0 | 39.65 |

| | | | | | | | | | | | | | | |
|-----|------|-------------------|-----------------|---------------|---|------------|---|--|--|----------------|---|---------------------------|--|--|
| △ | | GENERAL TOLERANCE | | UNIT: mm | | DATE | | TITLE: Molex 3.0 DIP 双排 180° Wafer | | | 东莞市康瑞电子有限公司 DongGuan A Rul Electronic Co. LTD. | | | |
| △ | | .X ±0.3 X° ±1° | | DRAWN: 朱佑武 | | 2013.01.09 | | VER. | | SCALE: N/A | | PROJ | | |
| △ | | .XX ±0.2 .X° | | CHECKED: | | | | A | | SHEET: 1/1 | | PART NO. C3000VD***30P440 | | |
| △ | | .XXX ±0.1 | | APPROVED: 周志龙 | | 2013.01.09 | | DRAWING NO. | | 3000WVD201-3-S | | | | |
| LTR | NAME | DATE | VERISION RECORD | | | | | | | | | | | |
| 1 | 2 | 3 | 4 | 5 | 6 | 7 | 8 | 9 | | | | | | |



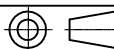
SPECIFICATIONS

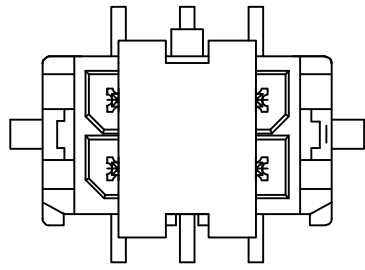
Current rating: 5A AC, DC
 Voltage rating: 250V AC,DC
 Temperature range: -20°C ~ +85°C
 Insulation resistance: 1000MΩ/ min.
 Withstanding voltage: 1500V AC/ minute.
 Contact resistance: 10mΩ/ max.
MATERIAL:NYLON46 UL94V-0
 Pin:Brass/Tin-Plated
 Material:
 Insulator: LCP UL 94V-0
 Contact: Brass
 Plating: Tin plated
 Circuits: 2*1~2*12P
 Suitable: KR3000HF series dual row Housing

C3000VD20130LP31

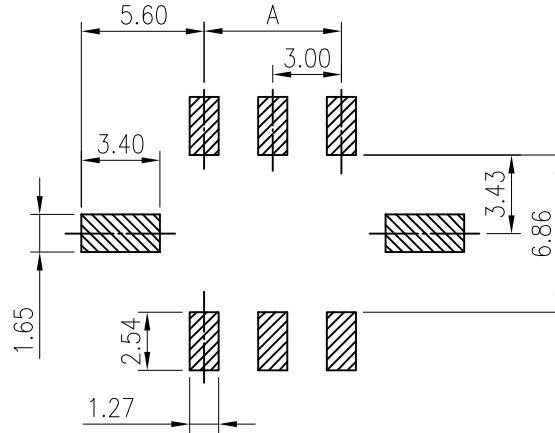
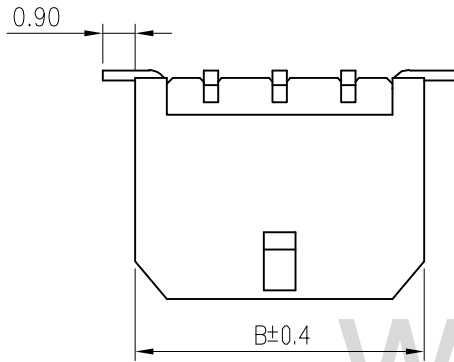
201:2*1P P4:PA46
 202:2*2P LP:LCP

| PART NO. | Dimension mm | |
|------------------|--------------|-------|
| | A | B |
| C3000VD20130LP31 | --- | 6.65 |
| C3000VD20230LP31 | 3.0 | 9.65 |
| C3000VD20330LP31 | 6.0 | 12.65 |
| C3000VD20430LP31 | 9.0 | 15.65 |
| C3000VD20530LP31 | 12.0 | 18.65 |
| C3000VD20630LP31 | 15.0 | 21.65 |
| C3000VD20730LP31 | 18.0 | 24.65 |
| C3000VD20830LP31 | 21.0 | 27.65 |
| C3000VD20930LP31 | 24.0 | 30.65 |
| C3000VD21030LP31 | 27.0 | 33.65 |
| C3000VD21130LP31 | 30.0 | 36.65 |
| C3000VD21230LP31 | 33.0 | 39.65 |

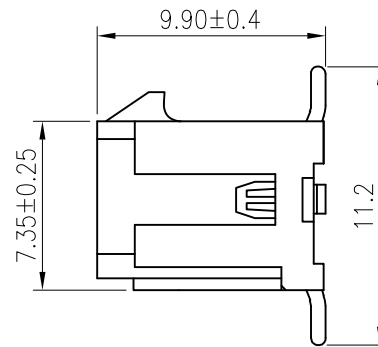
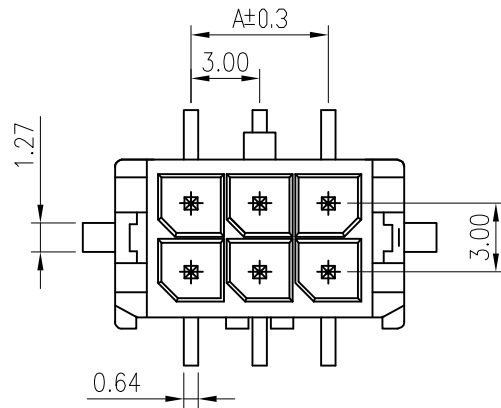
| | | | | | | | | | | | | | | | | | | |
|---|-----|------|------|-------------------|--------|-----------|-----|-----------|--|--|----------|--|------------------|---|--|---|--|---|
| F | ④ | | | GENERAL TOLERANCE | | UNIT: mm | | DATE | | TITLE: MX 3.0 DIP 双排180° Wafer 无柱带鱼叉 | |  东莞市康瑞电子有限公司 DongGuan A Rul Electronic Co. LTD. | | | | | | |
| | ③ | | | .X ±0.3 | X° ±1° | DRAWN: | 闵昕皓 | 2014.4.28 | | VER. | SCALE: | | N/A | | | | | |
| | ② | | | .XX ±0.2 | .X° | CHECKED: | | | | PROJ | PART NO. | | C3000VD***30**31 | | | | | |
| | ① | | | .XXX ±0.1 | | APPROVED: | | | | A | SHEET: | | 1/1 |  DRAWING NO. 3000WD202-3-S | | | | |
| | LTR | NAME | DATE | VERISION RECORD | | | | | | | | | | | | | | |
| | 1 | | | 2 | | 3 | | 4 | | 5 | | 6 | | 7 | | 8 | | 9 |



WITH COVER

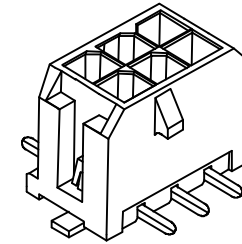


P.C.B. LAYOUT



- ◆ SPECIFICATIONS
- Current rating: 5A AC, DC
 - Voltage rating: 250V AC, DC
 - Temperature range: -25°C ~ +85°C
 - Insulation resistance: 1000MΩ Min.
 - Withstanding voltage: 1500V AC/ minute.
 - Contact resistance: 10mΩ Max.

Material:
 Insulator: LCP UL 94V-0
 Contact: Brass
 Solder nail: Brass
 Plating: Tin plated
 Circuits: 2~24
 Suitable: KR3000 series dual row Housing



| PART NO. | Dimension mm | |
|------------------|--------------|-------|
| | A | B |
| C3000VS20130LP2B | ---- | 6.65 |
| C3000VS20230LP2B | 3.0 | 9.65 |
| C3000VS20330LP2B | 6.0 | 12.65 |
| C3000VS20430LP2B | 9.0 | 15.65 |
| C3000VS20530LP2B | 12.0 | 18.65 |
| C3000VS20630LP2B | 15.0 | 21.65 |
| C3000VS20730LP2B | 18.0 | 24.65 |
| C3000VS20830LP2B | 21.0 | 27.65 |
| C3000VS20930LP2B | 24.0 | 30.65 |
| C3000VS21030LP2B | 27.0 | 33.65 |
| C3000VS21130LP2B | 30.0 | 36.65 |
| C3000VS21230LP2B | 33.0 | 39.65 |

| | | | | | | | | | |
|-----|------|------|----------------|-------------------|----------|---------------|---|------|----------------------------|
| △ | | | | GENERAL TOLERANCE | UNIT: mm | DATE | TITLE: Molex 3.0 SMT dual row 180° Wafer with tab | | |
| △ | | | | .X ±0.3 | X° ±1° | DRAWN: 朱佑武 | 2013.01.09 | VER. | SCALE: N/A |
| △ | | | | .XX ±0.2 | .X° | CHECKED: | | PROJ | PART NO. C3000VS***30LP2B |
| △ | | | | .XXX ±0.1 | | APPROVED: 周志龙 | 2013.01.09 | A | SHEET: 1/1 |
| LTR | NAME | DATE | VERSION RECORD | | | | | ⊕ | DRAWING NO. 3000WVS201-3-S |


东莞市康瑞电子有限公司
 DongGuan A Rui Electronic Co. LTD.

www.krljq.com

1 2 3 4 5 6 7 8 9

A

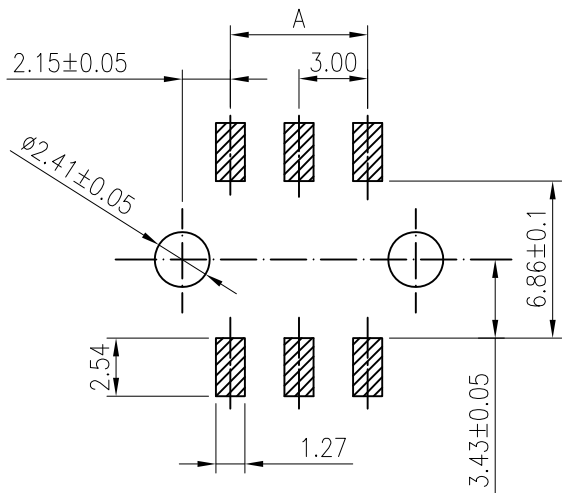
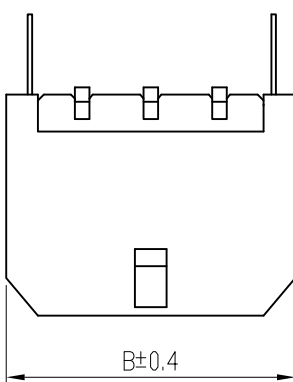
B

C

D

E

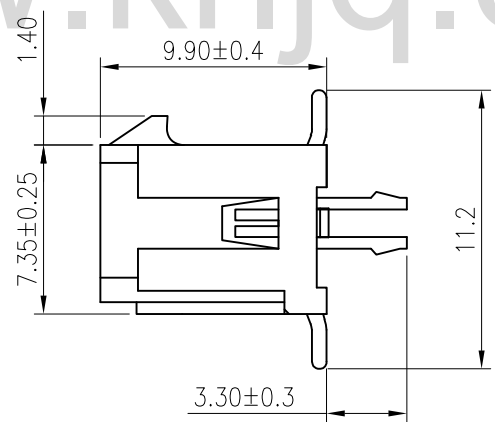
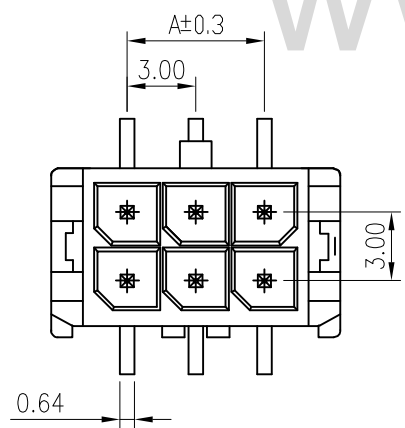
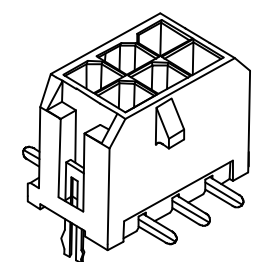
F



P.C.B. LAYOUT

- ◆ SPECIFICATIONS
- Current rating: 5A AC, DC
 - Voltage rating: 250V AC, DC
 - Temperature range: -25°C ~ +85°C
 - Insulation resistance: 1000MΩ Min.
 - Withstanding voltage: 1500V AC/ minute.
 - Contact resistance: 10mΩ Max.

Material:
 Insulator: LCP UL 94V-0
 Contact: Brass
 Press-fit: Brass
 Plating: Tin plated
 Circuits: 2~24
 Suitable: KR3000 series dual row Housing



www.krljq.com

| PART NO. | Dimension mm | |
|------------------|--------------|-------|
| | A | B |
| C3000VS20130LP3A | ---- | 6.65 |
| C3000VS20230LP3A | 3.0 | 9.65 |
| C3000VS20330LP3A | 6.0 | 12.65 |
| C3000VS20430LP3A | 9.0 | 15.65 |
| C3000VS20530LP3A | 12.0 | 18.65 |
| C3000VS20630LP3A | 15.0 | 21.65 |
| C3000VS20730LP3A | 18.0 | 24.65 |
| C3000VS20830LP3A | 21.0 | 27.65 |
| C3000VS20930LP3A | 24.0 | 30.65 |
| C3000VS21030LP3A | 27.0 | 33.65 |
| C3000VS21130LP3A | 30.0 | 36.65 |
| C3000VS21230LP3A | 33.0 | 39.65 |

| | | | | | | | | | |
|-----|------|------|-----------------|-------------------|----------|---------------|---|------|----------------------------|
| △ | | | | GENERAL TOLERANCE | UNIT: mm | DATE | TITLE: Molex 3.0 SMT dual row 180° Wafer with press-fit | | |
| △ | | | | .X ±0.3 | X° ±1° | DRAWN: 朱佑武 | 2013.01.09 | VER. | SCALE: N/A |
| △ | | | | .XX ±0.2 | .X° | CHECKED: | | PROJ | PART NO. C3000VS***30LP3A |
| △ | | | | .XXX ±0.1 | | APPROVED: 周志龙 | 2013.01.09 | A | SHEET: 1/1 |
| LTR | NAME | DATE | VERISION RECORD | | | | | PROJ | DRAWING NO. 3000WVS202-3-S |

东莞市康瑞电子有限公司
DongGuan A Rul Electronic Co. LTD.

1 2 3 4 5 6 7 8 9