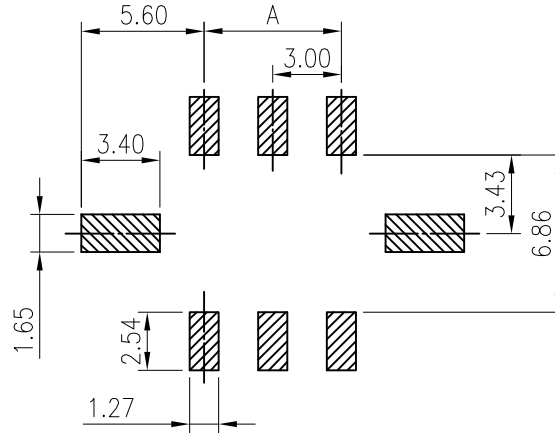
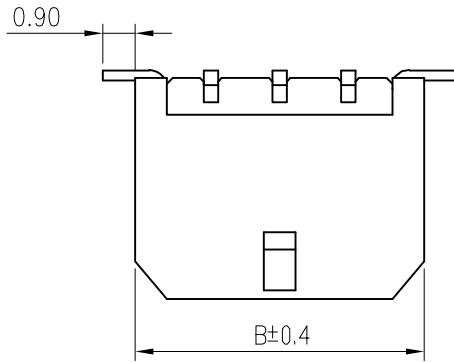
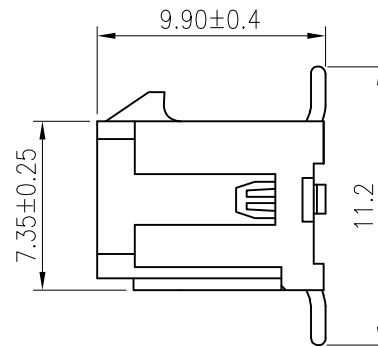
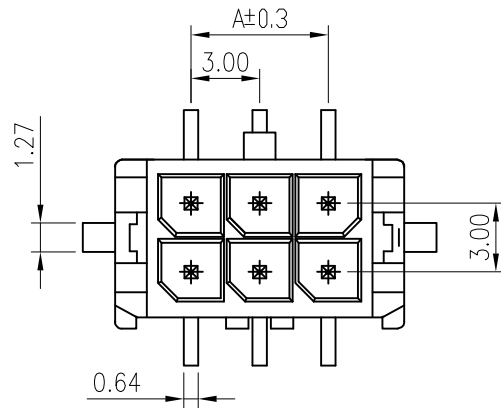


WITH COVER

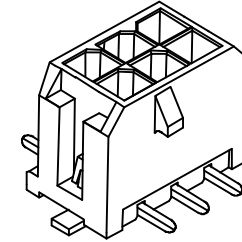


P.C.B. LAYOUT



- ◆ SPECIFICATIONS
- Current rating: 5A AC, DC
 - Voltage rating: 250V AC, DC
 - Temperature range: -25°C ~ +85°C
 - Insulation resistance: 1000MΩ Min.
 - Withstanding voltage: 1500V AC/ minute.
 - Contact resistance: 10mΩ Max.

Material:
 Insulator: LCP UL 94V-0
 Contact: Brass
 Solder nail: Brass
 Plating: Tin plated
 Circuits: 2~24
 Suitable: KR3000 series dual row Housing



PART NO.	Dimension mm	
	A	B
C3000VS20130LP2B	----	6.65
C3000VS20230LP2B	3.0	9.65
C3000VS20330LP2B	6.0	12.65
C3000VS20430LP2B	9.0	15.65
C3000VS20530LP2B	12.0	18.65
C3000VS20630LP2B	15.0	21.65
C3000VS20730LP2B	18.0	24.65
C3000VS20830LP2B	21.0	27.65
C3000VS20930LP2B	24.0	30.65
C3000VS21030LP2B	27.0	33.65
C3000VS21130LP2B	30.0	36.65
C3000VS21230LP2B	33.0	39.65

F	△			GENERAL TOLERANCE	UNIT: mm	DATE	TITLE: Molex 3.0 SMT dual row 180° Wafer with tab			东莞市康瑞电子有限公司 DongGuan A Rul Electronic Co. LTD.			
	△			.X ±0.3 X° ±1°	DRAWN: 朱佑武	2013.01.09	VER.	SCALE:	N/A		PROJ	PART NO.	C3000VS***30LP2B
	△			.XX ±0.2 .X°	CHECKED:		A	SHEET:	1/1		DRAWING NO.	3000WVS201-3-S	
	△			.XXX ±0.1	APPROVED: 周志龙	2013.01.09							
	LTR	NAME	DATE	VERISION RECORD									