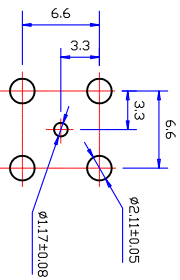
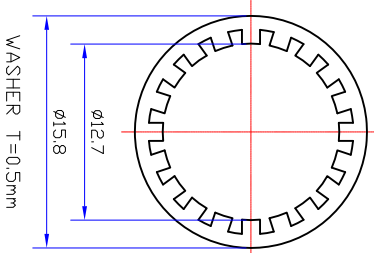
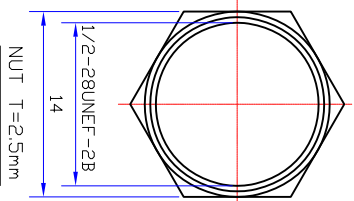
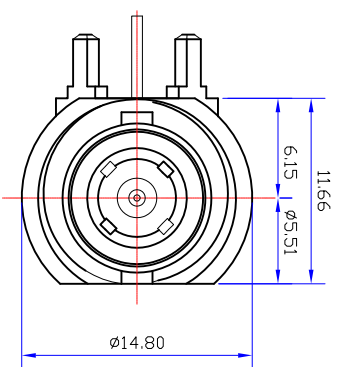
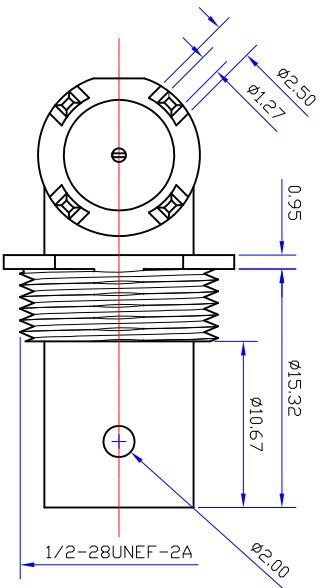
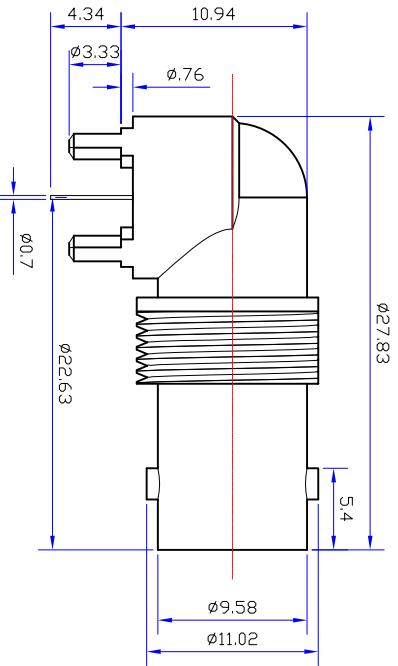
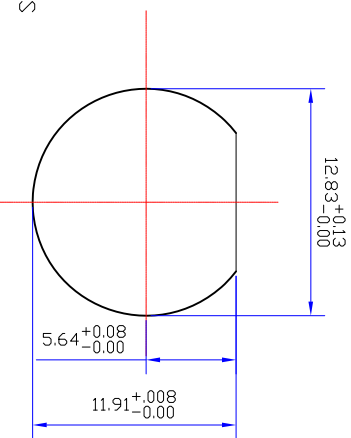




Product NO.		DOSIN-801-0083		
REV	DESCRIPTION	DWN	DATE	APPROVEN
A	First Issue	JIM	2013/06/18	John kine



PCB HOLE CONFIGURATION  
RECOMMENDED PANEL CUTOUTS



### Specifications

Impedance: 75 Ohms  
Frequency Range: DC~3G  
VSWR: 1.3MAX  
Working Voltage: 500V rms @ sea level  
Insulation Resistance: 5000 Ohms min  
Temperature Range: -55°C T0 +155°C  
Relative Temperature:  $\leq 95\%$  (40°C  $\pm 2^\circ$  C)  
Drawings products are in line with ROHS standards

NOTE:

DRAWN	2013/06/18	Tolerance	0-6 6-30 30-120 Angular	$\pm 0.15$ $\pm 0.20$ $\pm 0.5$ $\pm 2^\circ$
CHECKED		View		

Zelin.Zhang

UNIT  
MM

Name: BNC CONNECTOR DNN

**DOSIN**  
Doshin Industrial(H.K.)Co.Ltd  
东莞市德奈五金电子有限公司  
Doshin Hardware Electronics Co.,Ltd  
E-mail:doshin2005@163.com  
doshin2005@doshin-china.com  
Web:http://www.doshin.com.com  
TEL:(0086) 769-81153906  
FAX:(0086) 769-81875836

APPROVALS  
John Kine

19/06.2013  
SCALE  
1:1

DATE  
2013/06/18  
CAD FILE  
D/company drawings/BD

SHEET: 1 OF 1

NO	DESCRIPTION	MATERIAL	FINISH	QTY
1	BODY	ZINC ALLOY	PLATED NICKEL	1
2	CENTER CONTACT	BRASS	GOLD 1-1.5 U"	1
3	INSULATOR	PDM	WHITE	1
4	NUT	BRASS	PLATED NICKEL	1
5	WASHER	IRON	PLATED NICKEL	1