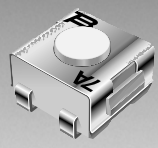


*RoHS COMPLIANT



BOURNS®

Features

- Compatible with most surface mount soldering processes
- Compatible with popular vacuum pick-and-place equipment
- J-hook, gull-wing & pinned configurations
- Sealed for board washing
- Meets EIA/EIAJ/IPC/VRCI SMD standard outline dimensions
- Top or side actuated
- RoHS compliant*
- For switch applications/processing guidelines, [click here](#)

7914 4 mm SMD & Through-hole Sealed Key Switch

Electrical Characteristics

Contact Rating
 Maximum Current 100 mA max.
 Maximum Voltage 16 V
 Contact Resistance 100 milliohms max.
 Insulation Resistance .. 100 megohms min.
 Dielectric Strength 250 VAC

General Characteristics

Switch Type Normally open
 Operating Temperature Range
 -55 °C to +125 °C
 Storage Temperature Range
 -55 °C to +125 °C
 Seal Test 85 °C Fluorinert†
 Vibration 20 G
 Shock 100 G

Mechanical Characteristics

Actuator Force 300 ± 100 g
 Pushover Strength (S Style)
 0.9 kilograms minimum
 Cycle life, loaded 100,000 actuations
 Contact resistance 100 milliohms max.

Physical Characteristics

Cover Material Stainless steel
 Base Material Thermoplastic, UL94V-0
 Terminal Material... Copper alloy gold plated
 Dome Material... Stainless steel silver plated
 Actuator Material High temperature silicon rubber
 Marking Manufacturer's code and date code

Packaging Options

J & G 500 pcs./reel (MSL-1);
 50 pcs./tube
 S 200 pcs./reel (MSL-1)
 H 50 pcs./tube

How to Order

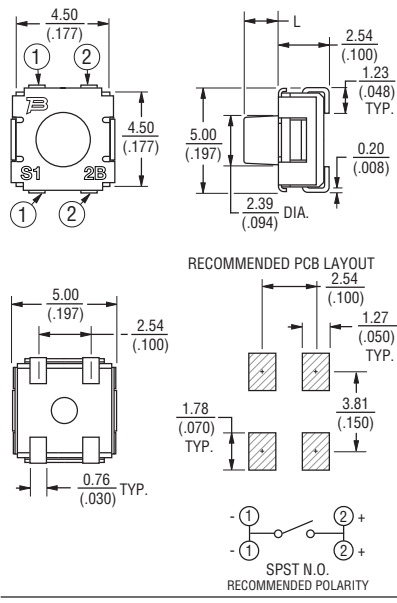
7914 J - 1 - 000 E

Model _____
 Terminal _____
 J = J-Hook H = Through-hole
 G = Gull Wing S = Right Angle
 Switch Type _____
 1 = N.O. Au Contacts
 Product Code for Button Height _____
 "L" (For All Styles) from Top of Lid
 000 = 1.65 mm
 024 = 0.08 mm (Flush)
 032 = 0.89 mm
 050 = 2.67 mm (available in tube pack only for J, G & H Styles, tape & reel only for S Style)
 Packaging Code (MSL-1) _____
 Blank = Tube (for J, G & H Styles)
 E = Plastic Embossed Tape & Reel (for J, G & S Styles)

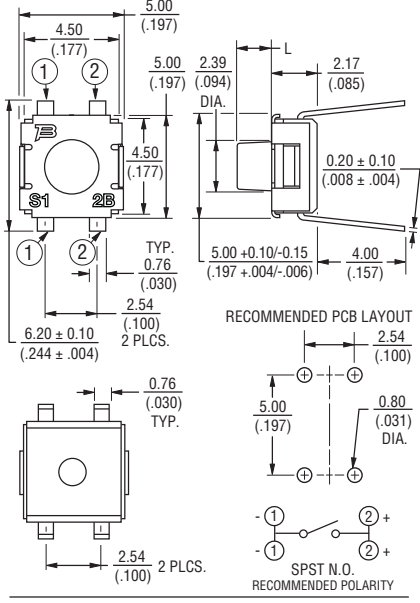
Note: S Style is only available in tape and reel.

Product Dimensions

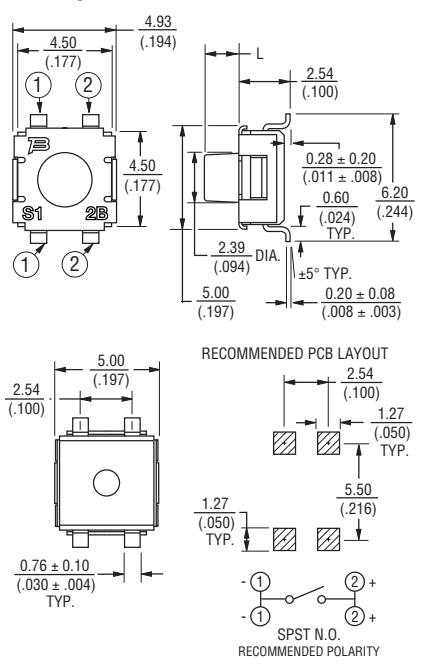
7914J J-Hook



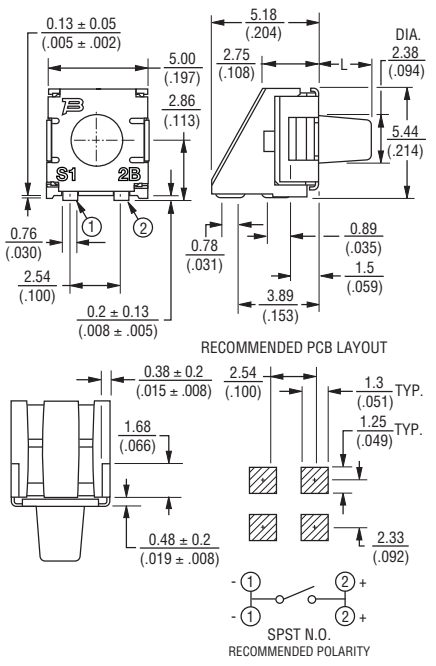
7914H Through-hole



7914G Gull Wing



7914S Right Angle



DIMENSIONS: $\frac{\text{MM}}{\text{(INCHES)}}$ TOLERANCES: ± 0.3
 (0.012)

EXCEPT WHERE NOTED.

*RoHS Directive 2002/95/EC Jan. 27, 2003 including annex and RoHS Recast 2011/65/EU June 8, 2011.

†"Fluorinert" is a registered trademark of 3M Co. Specifications are subject to change without notice.

The device characteristics and parameters in this data sheet can and do vary in different applications and actual device performance may vary over time. Users should verify actual device performance in their specific applications.

Mouser Electronics

Authorized Distributor

Click to View Pricing, Inventory, Delivery & Lifecycle Information:

Bourns:

[7914J-SW3-000E](#) [7914G-1-024](#) [7914G-1-000](#) [7914G-1-050](#) [7914J-SW3-050](#) [7914J-SW3-000](#) [7914S-SW3-024E](#)
[7914G-SW3-050E](#) [7914S-1-050E](#) [7914J-SW3-032E](#) [7914G-1-032](#) [7914S-SW3-050E](#) [7914G-1-000E](#) [7914J-SW3-](#)
[024E](#) [7914S-1-000E](#) [7914G-SW3-000E](#) [7914J-1-000E](#) [7914H-SW3-000](#) [7914H-SW3-050](#) [7914H-SW3-032](#) [7914H-](#)
[1-032](#) [7914J-1-032](#) [7914S-SW3-050](#) [7914G-SW3-032](#) [7914H-1-050](#) [7914J-1-024](#) [7914H-1-024](#) [7914S-1-032](#)
[7914S-SW3-000](#) [7914S-SW3-032](#) [7914J-SW3-032](#) [7914J-1-000](#) [7914H-1-000](#) [7914G-SW3-050](#) [7914G-SW3-000](#)
[7914G-1-024E](#) [7914J-1-024E](#) [7914G-SW3-024E](#) [7914S-1-024E](#) [7914S-SW3-032E](#) [7914S-1-032E](#) [7914G-SW3-](#)
[032E](#) [7914G-1-032E](#) [7914J-1-032E](#) [7914S-1-000](#) [7914J-SW3-050E](#) [7914S-SW3-000E](#) [7914J-1-050](#)