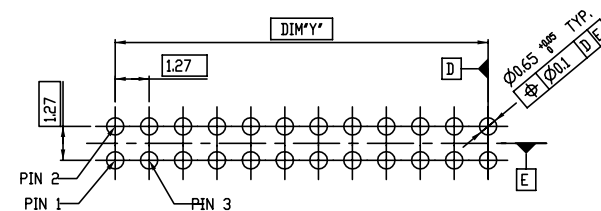
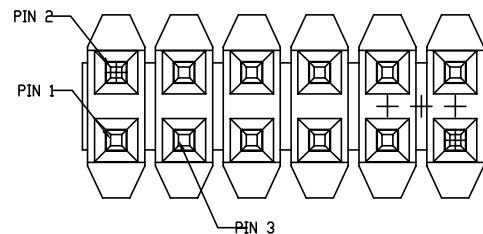
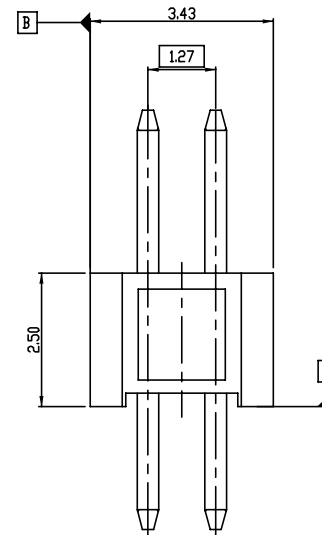
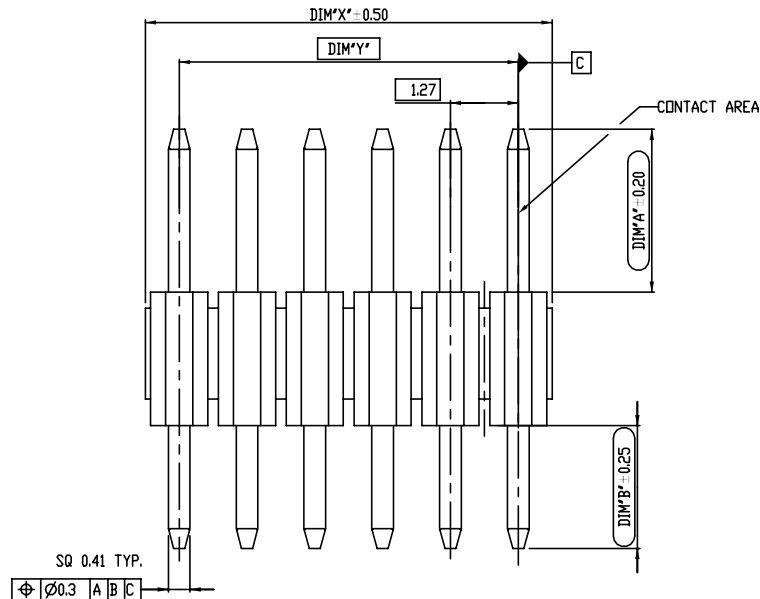


PART NO.
20021111



RECOMMENDED PCB LAYOUT
SCALE 5.000

- NOTES:
 1.MATERIAL:
 HOUSING: HIGH TEMPERATURE THERMOPLASTIC, UL94-V0 BLACK.
 TERMINAL: COPPER ALLOY
 2.THE HOUSING WILL WITHSTAND EXPOSURE TO 260-C PEAK TEMPERATURE FOR 10 SECONDS IN A WAVE SOLDER OR VAPOR PHASE REFLOW OVEN.
 3.THIS PRODUCT MEETS EUROPEAN UNION DIRECTIVES AND OTHER COUNTRY REGULATIONS AS DESCRIBED IN GS-22-008.
 4.PRODUCT SPEC: GS-12-629
 5.PACKAGE SPEC: GS-14-1420

spec ref		dr	ZK HU	2012-9-28	projection	MM	size	A3	scale	10.000	
tolerance std		eng	ZK HU	2012-9-28			ecn no ELX-N-14366				
TOLERANCES UNLESS OTHERWISE SPECIFIED		chr	RICK BIAN	2012-9-28	product family		rel level		RELEASED		
		appr	RICK BIAN	2012-9-28			dwg no		20021111	rev	D
surface	linear	0.X	± 0.30	FCI	MINITEK 127 UNSHROUDED HDR		Product - Customer Drw		sheet 1 of 2		
		0.XX	± 0.20								
		0.XXX	± 0.10	title	VT TH						
	angular	0~	± 2°	www.fci.com	cat. no.						



Copyright FCI.

PART NO.	PDS.	DIM*X'	DIM*Y'
20021111-XXX06XXLF	2 X 3	3.81	2.54
20021111-XXX08XXLF	2 X 4	5.08	3.81
20021111-XXX10XXLF	2 X 5	6.35	5.08
20021111-XXX12XXLF	2 X 6	7.62	6.35
20021111-XXX14XXLF	2 X 7	8.89	7.62
20021111-XXX16XXLF	2 X 8	10.16	8.89
20021111-XXX18XXLF	2 X 9	11.43	10.16
20021111-XXX20XXLF	2 X 10	12.70	11.43
20021111-XXX22XXLF	2 X 11	13.97	12.70
20021111-XXX24XXLF	2 X 12	15.24	13.97
20021111-XXX26XXLF	2 X 13	16.51	15.24
20021111-XXX28XXLF	2 X 14	17.78	16.51
20021111-XXX30XXLF	2 X 15	19.05	17.78
20021111-XXX32XXLF	2 X 16	20.32	19.05
20021111-XXX34XXLF	2 X 17	21.59	20.32
20021111-XXX36XXLF	2 X 18	22.86	21.59
20021111-XXX38XXLF	2 X 19	24.13	22.86
20021111-XXX40XXLF	2 X 20	25.40	24.13
20021111-XXX42XXLF	2 X 21	26.67	25.40
20021111-XXX44XXLF	2 X 22	27.94	26.67
20021111-XXX46XXLF	2 X 23	29.21	27.94
20021111-XXX48XXLF	2 X 24	30.48	29.21
20021111-XXX50XXLF	2 X 25	31.75	30.48
20021111-XXX52XXLF	2 X 26	33.02	31.75
20021111-XXX54XXLF	2 X 27	34.29	33.02
20021111-XXX56XXLF	2 X 28	35.56	34.29
20021111-XXX58XXLF	2 X 29	36.83	35.56
20021111-XXX60XXLF	2 X 30	38.10	36.83
20021111-XXX62XXLF	2 X 31	39.37	38.10
20021111-XXX64XXLF	2 X 32	40.64	39.37
20021111-XXX66XXLF	2 X 33	41.91	40.64
20021111-XXX68XXLF	2 X 34	43.18	41.91
20021111-XXX70XXLF	2 X 35	44.45	43.18
20021111-XXX72XXLF	2 X 36	45.72	44.45
20021111-XXX74XXLF	2 X 37	46.99	45.72
20021111-XXX76XXLF	2 X 38	48.26	46.99
20021111-XXX78XXLF	2 X 39	49.53	48.26
20021111-XXX80XXLF	2 X 40	50.80	49.53
20021111-XXX82XXLF	2 X 41	52.07	50.80
20021111-XXX84XXLF	2 X 42	53.34	52.07
20021111-XXX86XXLF	2 X 43	54.61	53.34
20021111-XXX88XXLF	2 X 44	55.88	54.61
20021111-XXX90XXLF	2 X 45	57.15	55.88

PART NO.	PDS.	DIM*X'	DIM*Y'
20021111-XXX92XXLF	2 X 46	58.42	57.15
20021111-XXX94XXLF	2 X 47	59.69	58.42
20021111-XXX96XXLF	2 X 48	60.96	59.69
20021111-XXX98XXLF	2 X 49	62.23	60.96
20021111-XXXA0XXLF	2 X 50	63.50	62.23

20021111 - X X X X X X X X L F

- LEAD FREE
- PLATING OPTIONAL
- 1: GOLD FLASH AT CONTACT, 1.27um MIN. MATTE TIN AT TAIL
- 2: GOLD FLASH AT CONTACT, GOLD FLASH AT TAIL
- 4: 0.25um Au MIN. AT CONTACT, 1.27um MIN.MATTE TIN AT TAIL
- 5: 0.25um Au MIN. AT CONTACT, GOLD FLASH AT TAIL
- 6: 0.38um GXT MIN. AT CONTACT, 1.27um MIN.MATTE TIN AT TAIL
- 7: 0.38um GXT MIN. AT CONTACT, GOLD FLASH AT TAIL
- 8: 0.76um GXT MIN. AT CONTACT, 1.27um MIN.MATTE TIN AT TAIL
- 9: 0.76um GXT MIN. AT CONTACT, GOLD FLASH AT TAIL
- PACKING STYLE
- T: TUBE
- PIN NO. SEE TABLE
- MATING LENGTH(DIM*A')
- 0: 3.05MM
- TAIL LENGTH(DIM*B')
- 0: 2.30MM (FDR 1.6MM PCB)
- 1: 1.60MM (FDR 1.0MM PCB)
- 2: 2.70MM (FDR 2.0MM PCB)
- RESERVE CODE
- 0: STANDARD



Copyright FCI.

spec ref		dr	ZK HU	2012-9-28	projection	MM	size	A3	scale	10.000
tolerance std		eng	ZK HU	2012-9-28					ecn no ELX-N-14366	
TOLERANCES UNLESS OTHERWISE SPECIFIED		chr	RICK BIAN	2012-9-28	product family				rev	
		appr	RICK BIAN	2012-9-28	MINITEK 127 UNSHROUDED HDR VT TH		dwg no 20021111		sheet 2 of 2	
surface	<input checked="" type="checkbox"/> linear <input type="checkbox"/> angular	0.X ±0.30 0.XX ±0.20 0.XXX ±0.10 0~ ±2	www.fci.com		cat. no.		Product - Customer Drw		STATUS:Released Printed: Mar 29, 2013	

Mouser Electronics

Authorized Distributor

Click to View Pricing, Inventory, Delivery & Lifecycle Information:

FCI:

[20021111-00006T1LF](#) [20021111-00008T1LF](#) [20021111-00010T1LF](#) [20021111-00012T1LF](#) [20021111-00014T1LF](#)
[20021111-00016T1LF](#) [20021111-00018T1LF](#) [20021111-00020T1LF](#) [20021111-00022T1LF](#) [20021111-00024T1LF](#)
[20021111-00026T1LF](#) [20021111-00028T1LF](#) [20021111-00030T1LF](#) [20021111-00032T1LF](#) [20021111-00034T1LF](#)
[20021111-00036T1LF](#) [20021111-00038T1LF](#) [20021111-00040T1LF](#) [20021111-00042T1LF](#) [20021111-00044T1LF](#)
[20021111-00046T1LF](#) [20021111-00048T1LF](#) [20021111-00050T1LF](#) [20021111-00052T1LF](#) [20021111-00054T1LF](#)
[20021111-00056T1LF](#) [20021111-00058T1LF](#) [20021111-00060T1LF](#) [20021111-00062T1LF](#) [20021111-00064T1LF](#)
[20021111-00066T1LF](#) [20021111-00068T1LF](#) [20021111-00070T1LF](#) [20021111-00072T1LF](#) [20021111-00074T1LF](#)
[20021111-00076T1LF](#) [20021111-00078T1LF](#) [20021111-00080T1LF](#) [20021111-00082T1LF](#) [20021111-00084T1LF](#)
[20021111-00086T1LF](#) [20021111-00088T1LF](#) [20021111-00090T1LF](#) [20021111-00092T1LF](#) [20021111-00094T1LF](#)
[20021111-00096T1LF](#) [20021111-00098T1LF](#) [20021111-000A0T1LF](#) [20021111-00006T4LF](#) [20021111-00008T4LF](#)
[20021111-00010T4LF](#) [20021111-00012T4LF](#) [20021111-00014T4LF](#) [20021111-00016T4LF](#) [20021111-00018T4LF](#)
[20021111-00020T4LF](#) [20021111-00022T4LF](#) [20021111-00024T4LF](#) [20021111-00026T4LF](#) [20021111-00028T4LF](#)
[20021111-00030T4LF](#) [20021111-00032T4LF](#) [20021111-00034T4LF](#) [20021111-00036T4LF](#) [20021111-00038T4LF](#)
[20021111-00040T4LF](#) [20021111-00042T4LF](#) [20021111-00044T4LF](#) [20021111-00046T4LF](#) [20021111-00048T4LF](#)
[20021111-00050T4LF](#) [20021111-00052T4LF](#) [20021111-00054T4LF](#) [20021111-00056T4LF](#) [20021111-00058T4LF](#)
[20021111-00060T4LF](#) [20021111-00062T4LF](#) [20021111-00064T4LF](#) [20021111-00066T4LF](#) [20021111-00068T4LF](#)
[20021111-00070T4LF](#) [20021111-00072T4LF](#) [20021111-00074T4LF](#) [20021111-00076T4LF](#) [20021111-00078T4LF](#)
[20021111-00080T4LF](#) [20021111-00082T4LF](#) [20021111-00084T4LF](#) [20021111-00086T4LF](#) [20021111-00088T4LF](#)
[20021111-00090T4LF](#) [20021111-00092T4LF](#) [20021111-00094T4LF](#) [20021111-00096T4LF](#) [20021111-00098T4LF](#)
[20021111-000A0T4LF](#) [20021111-00006T8LF](#) [20021111-00008T8LF](#) [20021111-00010T8LF](#) [20021111-00012T8LF](#)