

为您的产品保驾护航

PRODUCT DATASHEET

Gas Discharge Tubes

JTA38H/JTN38H

Description

Gas discharge tubes (GDT) use noble gasses enclosed in ceramic tubes to provide an alternate circuit path for voltage spikes. The ceramic envelope and with nickel connectors allow for high loads and Ruilon offers products that function at 20KA, 40KA, 50KA, 60KA, 100KA & 150KA. The breakdown voltages of the devices have a wide range (up to 20% tolerance). Major applications are high frequency telecommunication lines, stations, security systems, HID and high quality Surge Protection Devices (SPD).

Features

- RoHS & HF compliant
- Size: 10.0mm*8.0mm
- DC Spark-over voltage: 75~600V
- Stable breakdown voltage.
- High insulation resistance.
- High holdover voltage.
- Large absorbing transient current capability.
- Low Capacitance
- Micro-Gap Design

Applications

- Cable Modem
- xDSL
- Set-Top Box
- Satellite and CATV equipment
- Power supplier
- Consumer electronics
- General telecom equipment



Product Identification

JT A 3 8 -075 H

H = Surge Rating

Blank=0.5kA, B=2kA, D=3kA,
G=5kA, H=10kA, K=20kA,
M=40kA, P=60kA

075 = DC Spark-over Voltage 75V

8 = 8mm Diameter

3 = 3 Electrode Device

A = Lead Configuration

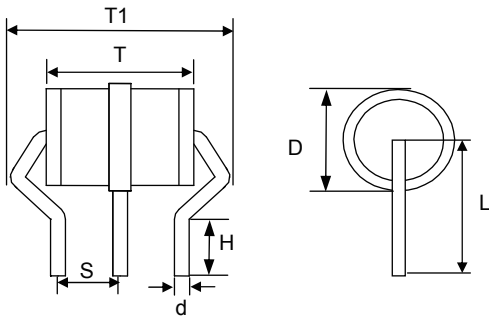
A=Axial Leads
N=No Leads
S=Surface Mount
T=T-shaped Leads

JT = JDT Gas Discharge Tube

Performance Specification

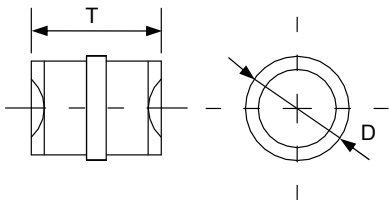
Part Number	DC Spark-over Voltage	Maximum Impulse Breakdown Voltage		Max. Impulse Discharge Current (8/20 μ s)	Impulse Life (10/1000 μ s)	Normal Alternating Discharge Current	DC Holdover Voltage	Minimum Insulation Resistance	Maximum Capacitance (1MHz)
	100V/S	100V/ μ S	1KV/ μ S	10 times	100 A	50Hz 1Sec	<150ms		
	(V)	(V)	(V)	(KA)	Times	(A)	(V)		
JTA38-075H	75 \pm 20%	600	700	10	300	10	52	10	2
JTA38-090H	90 \pm 20%	600	700	10	300	10	52	10	2
JTA38-150H	150 \pm 20%	500	700	10	300	10	135	10	2
JTA38-200H	200 \pm 20%	500	700	10	300	10	135	10	2
JTA38-230H	230 \pm 20%	600	700	10	300	10	150	10	2
JTA38-250H	250 \pm 20%	600	700	10	300	10	150	10	2
JTA38-350H	350 \pm 20%	700	800	10	300	10	150	10	2
JTA38-400H	400 \pm 20%	800	900	10	300	10	150	10	2
JTA38-470H	470 \pm 20%	900	1000	10	300	10	150	10	2
JTA38-600H	600 \pm 20%	1000	1100	10	300	10	150	10	2
JTN38-075H	75 \pm 20%	600	700	10	300	10	52	10	2
JTN38-090H	90 \pm 20%	600	700	10	300	10	52	10	2
JTN38-150H	150 \pm 20%	500	700	10	300	10	135	10	2
JTN38-200H	200 \pm 20%	500	700	10	300	10	135	10	2
JTN38-230H	230 \pm 20%	600	700	10	300	10	150	10	2
JTN38-250H	250 \pm 20%	600	700	10	300	10	150	10	2
JTN38-350H	350 \pm 20%	700	800	10	300	10	150	10	2
JTN38-400H	400 \pm 20%	800	900	10	300	10	150	10	2
JTN38-470H	470 \pm 20%	900	1000	10	300	10	150	10	2
JTN38-600H	600 \pm 20%	1000	1100	10	300	10	150	10	2

DC Spark-over Voltage	DC Measuring Voltage
75-90V	50V
150-400V	100V
420-600V	250V

Dimension
"T" (Axial lead type)


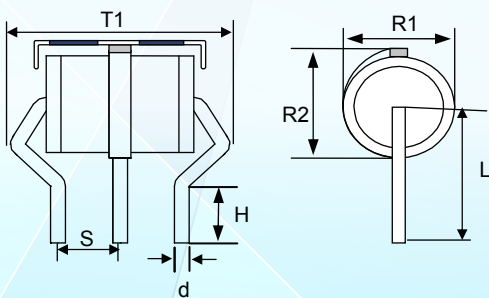
Unit:mm

Item	Dimensions	
	Spec.	Tolerance
D	8.0	+0.2/-0.8
T	10.0	±0.5
T1	13.4	+0.8/-0.5
L	7.5	±0.5
S	4.4	±0.4
d	1.0	±0.05
H	4.5	Min.

"N"(No lead type)


Unit:mm

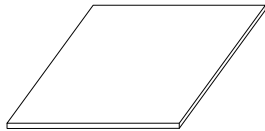
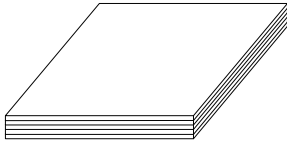
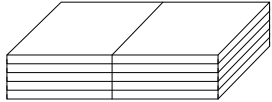
Item	Dimensions	
	Spec.	Tolerance
D	8.0	+0.2/-0.8
T	10.0	±0.5

"TF" (No lead type)


Unit:mm

Item	Dimensions	
	Spec.	Tolerance
R1	8.1	±0.3
R2	9.8	±0.4
T1	13.4	+0.8/-0.5
L	7.5	±0.5
S	4.4	±0.4
d	1.0	±0.05
H	4.5	Min

Packaging Bulk unit:(mm)

Plastic Tray (200x210x10mm)	Inner Box (210x225x60mm)	Outside Box (450x245x345mm)
		
100 PCS/ Plastic Tray	500 PCS/ Box	5,000 PCS/ Carton

Warehouse Storage Conditions of Products

- Storage Conditions:
 1. Storage Temperature: -10°C~+40°C
 2. Relative Humidity: ≤75%RH
 3. Keep away from corrosive atmosphere and sunlight.
- Period of Storage: 1 year