

Specifications

Current rating: 7A AC,DC
Voltage rating: 600V AC,DC
Temperature range: -25°C ~ +85°C
Contact resistance: 3mΩ Max.
Insulation resistance: 5000MΩ Min.
Withstanding voltage: 2200V AC/minute
Contact H.R for details

Ordering code

① A3963 ② WV-③ 05P ④ R

- ① Series No.
- ② Connector type: WV=Vertical, WR=Right angle
- ③ No. of circuits
- ④ Option code:
 - R=Round pin(Vertical type only)
 - Y01=Soldertail length 4.45mm
 - YR1=Soldertail length 4.45mm, Round pin(Vertical type only)



A3963 SERIES

3.96mm pitch wire to board connector

A3963WV

3.96mm pitch 180° Wafer

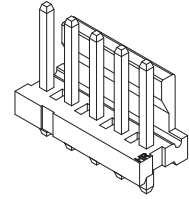
Reference Informations:

*Material: Pin: Brass/Tin-plated

Wafer: Nylon 66,UL94V-0

*Solder-tail Length 4.45mm is available

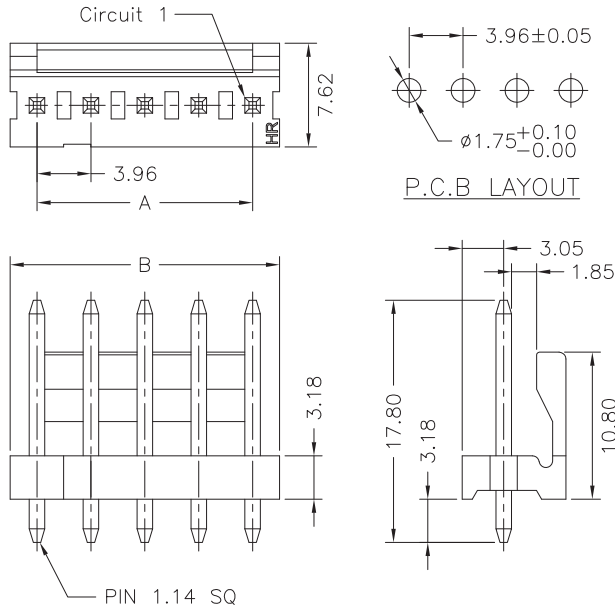
	A3963WV-05P N 0 W T1 N 00 G						
	①	②	③	④	⑤	⑥	⑦
①	N=Halogen Free						
②	Material: 0=Nylon 66-V0						
③	Color: W=White						
④	Plating code: T1=Tin-plated						
⑤	Plating code: N=Non-plating						
⑥	Option code: 00=Standard, Y1=Solder-tail 4.45mm						
⑦	Packing code: G=Bag						



Ordering Information & Dimensions:

PART NO.	Dimensions	
	A	B
A3963WV-02P	3.96	7.92
A3963WV-03P	7.92	11.88
A3963WV-04P	11.88	15.84
A3963WV-05P	15.84	19.80
A3963WV-06P	19.80	23.76
A3963WV-07P	23.76	27.72
A3963WV-08P	27.72	31.68
A3963WV-09P	31.68	35.64
A3963WV-10P	35.64	39.60
A3963WV-11P	39.60	43.56
A3963WV-12P	43.56	47.52
A3963WV-13P	47.52	51.48
A3963WV-14P	51.48	55.44
A3963WV-15P	55.44	59.40
A3963WV-16P	59.40	63.36
A3963WV-17P	63.36	67.32
A3963WV-18P	67.32	71.28
A3963WV-19P	71.28	75.24
A3963WV-20P	75.24	79.20

Unit:mm



A3963WR

3.96mm pitch 90° Wafer

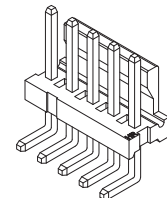
Reference Informations:

*Material: Pin: Brass/Tin-plated

Wafer: Nylon 66,UL94V-0

*Solder-tail Length 4.45mm is available

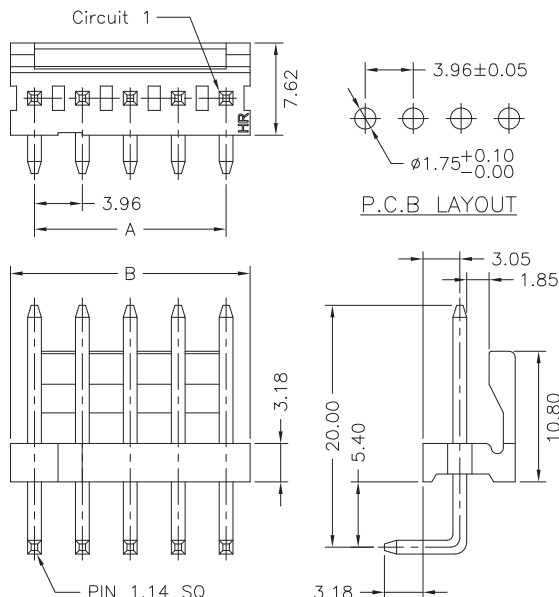
	A3963WR-05P N 0 W T1 N 00 G						
	①	②	③	④	⑤	⑥	⑦
①	N=Halogen Free						
②	Material: 0=Nylon 66-V0						
③	Color: W=White						
④	Plating code: T1=Tin-plated						
⑤	Plating code: N=Non-plating						
⑥	Option code: 00=Standard, Y1=Solder-tail 4.45mm						
⑦	Packing code: G=Bag						



Ordering Information & Dimensions:

PART NO.	Dimensions	
	A	B
A3963WR-02P	3.96	7.92
A3963WR-03P	7.92	11.88
A3963WR-04P	11.88	15.84
A3963WR-05P	15.84	19.80
A3963WR-06P	19.80	23.76
A3963WR-07P	23.76	27.72
A3963WR-08P	27.72	31.68
A3963WR-09P	31.68	35.64
A3963WR-10P	35.64	39.60
A3963WR-11P	39.60	43.56
A3963WR-12P	43.56	47.52
A3963WR-13P	47.52	51.48
A3963WR-14P	51.48	55.44
A3963WR-15P	55.44	59.40
A3963WR-16P	59.40	63.36
A3963WR-17P	63.36	67.32
A3963WR-18P	67.32	71.28
A3963WR-19P	71.28	75.24
A3963WR-20P	75.24	79.20

Unit:mm





A3963 SERIES

3.96mm pitch wire to board connector

A3963WV

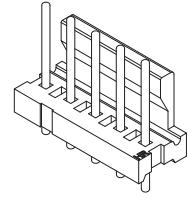
3.96mm pitch 180° Wafer, Round Pin

Reference Informations:

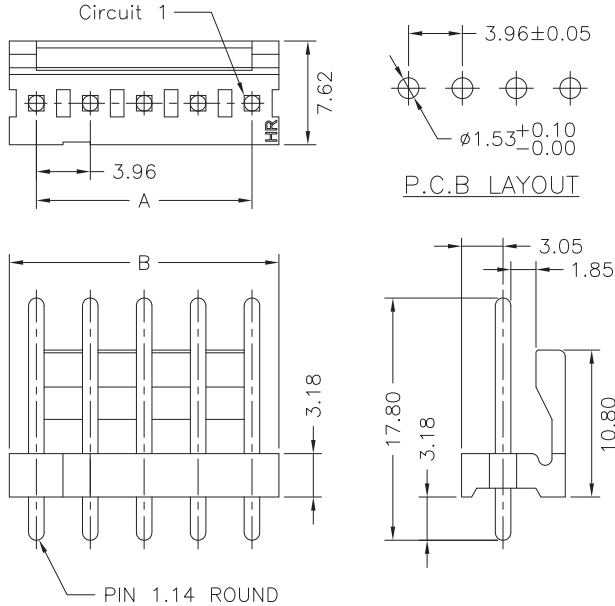
- *Material: Pin: Brass/Tin-plated
Wafer: Nylon 66,UL94V-0
- *Soldertail Length 4.45mm is available

A3963WV-05P N 0 W T1 N R0 G
 ① ② ③ ④ ⑤ ⑥ ⑦

- ① N=Halogen Free
- ② Material: 0=Nylon 66-V0
- ③ Color: W=White
- ④ Plating code: T1=Tin-plated
- ⑤ Plating code: N=Non-plating
- ⑥ Option code: R0=Round pin, R1=Soldertail 4.45mm
- ⑦ Packing code: G=Bag



Ordering Information & Dimensions:



PART NO.	Dimensions	
	A	B
A3963WV-02PR	3.96	7.92
A3963WV-03PR	7.92	11.88
A3963WV-04PR	11.88	15.84
A3963WV-05PR	15.84	19.80
A3963WV-06PR	19.80	23.76
A3963WV-07PR	23.76	27.72
A3963WV-08PR	27.72	31.68
A3963WV-09PR	31.68	35.64
A3963WV-10PR	35.64	39.60
A3963WV-11PR	39.60	43.56
A3963WV-12PR	43.56	47.52
A3963WV-13PR	47.52	51.48
A3963WV-14PR	51.48	55.44
A3963WV-15PR	55.44	59.40
A3963WV-16PR	59.40	63.36
A3963WV-17PR	63.36	67.32
A3963WV-18PR	67.32	71.28
A3963WV-19PR	71.28	75.24
A3963WV-20PR	75.24	79.20

Unit:mm