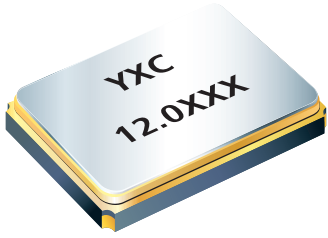




给您一颗快乐的“芯”!

SMD Seam Sealing Crystals

5.0 x 3.2 x 0.9 mm YSX531SL Series



Features

- High precision characteristics covering up to wide frequency range.
- Higher frequency stability and reliability.
- Excellent for reducing EMI effect.
- The best choice of Bluetooth, wireless communication set, DSC, PDA, mobile phone and USB interface card.
- RoHS Compliant / Pb Free.



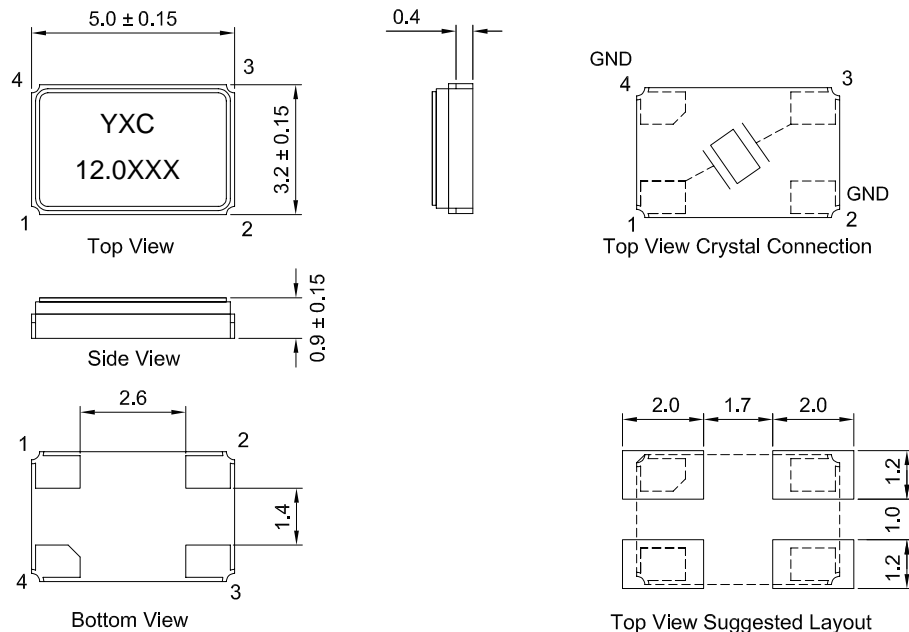
Electrical Specifications

Item / Type	YSX531SL
Frequency Range	8 ~ 54 MHz
Vibration Mode	AT Fundamental
Load Capacitance	20 pF, or specify
Frequency Stability Overall	± 20 ppm, or specify
Frequency Tolerance (at 25 °C)	±10 ppm, ± 20 ppm, or specify
Operating Temperature Range	-20 ~ +70 °C, or specify
Storage Temperature Range	-40~+85 °C, or specify
Shunt Capacitance (C0)	7 pF Max.
Aging (at 25 °C)	± 3 ppm / year Max.
Drive Level	1 ~ 100 μW (100 μW Tvp)
Insulation Resistance	More Than 500MΩ at DC 100V

Equivalent Series Resistance(ESR)

Fundamental	
8 ~ 12 MHz	60 Ω ~ 80 Ω
12 ~ 25 MHz	40 Ω ~ 60 Ω
25 ~ 54 MHz	30 Ω ~ 40 Ω

Dimensions



Units: mm

给您一颗快乐的“芯”！

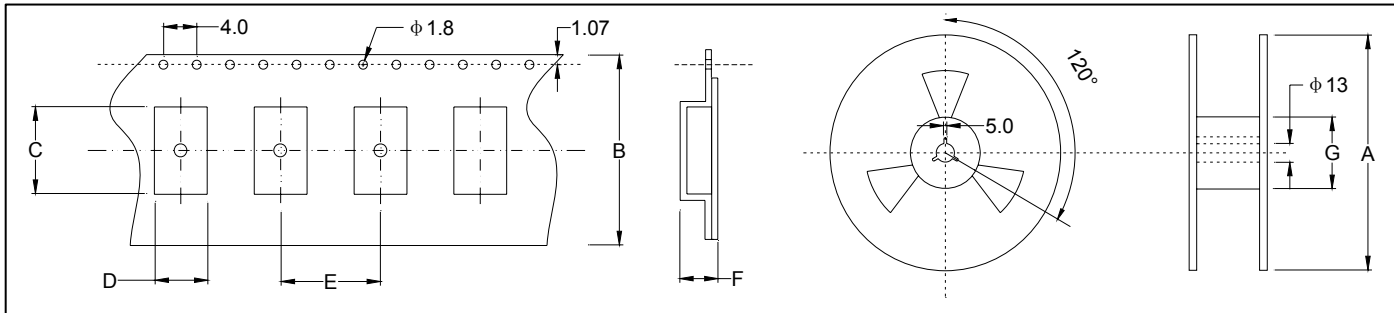
★ PART NUMBER GUIDE 部件号示例 e.g. X503212MSD4SC

YSX531SL=5.0×3.2 SMD SEAM TYPE

Quartz Crystal Resonator	Dimensions	Frequency (Hz)	Load Capacitance (Pf)	Frequency Stability Overall (ppm)	Pin	Material	Operating Temp. Range
X	5032	12M	S	D	4	S	C

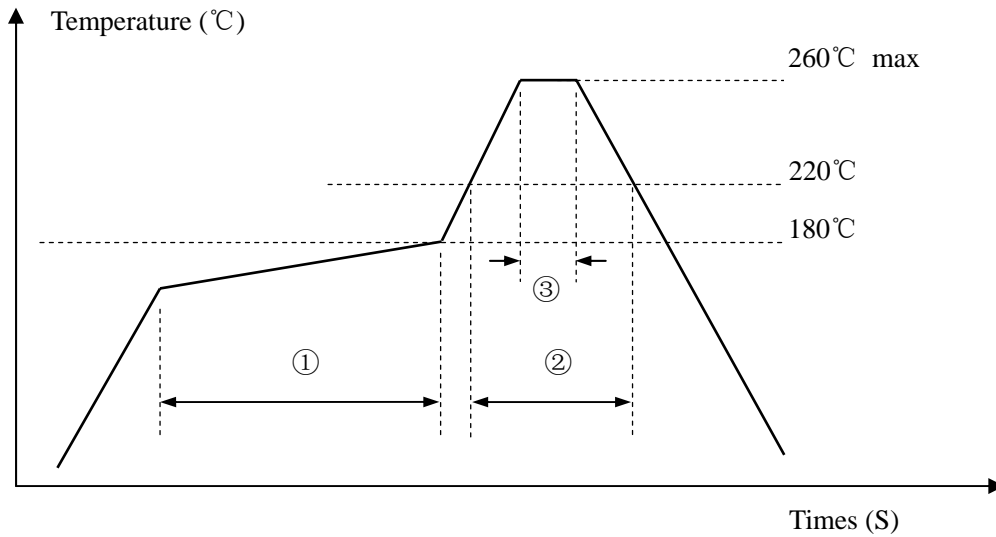
Definition	Description
Operating Temperature Range	C: -20~+70°C
	I: -40~+85°C
	D: Customer specified

★ TAPING SPECIFICATION (Unit: mm) 编带规格



	A	B	C	D	E	F	G
SMD5032	178±2.0	12.0±0.3	5.80±0.10	4.05±0.10	7.65±0.1	1.60±0.10	57.15±1.0
1000 pcs per reel							

★ REFLOW SOLDERING PROFILE 回流焊特性



Pb free reflow A	①	Preheat	160~180°C	120sec. max
	②	Primary heat	220°C	60sec. max
	③	Peak	260°C	10sec. max.