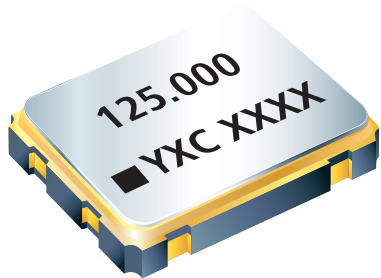




给您一颗快乐的“芯”!

SMD Crystal Oscillators- CMOS Output

7.0 x 5.0 x 1.3 mm YSO751SR Series



Features

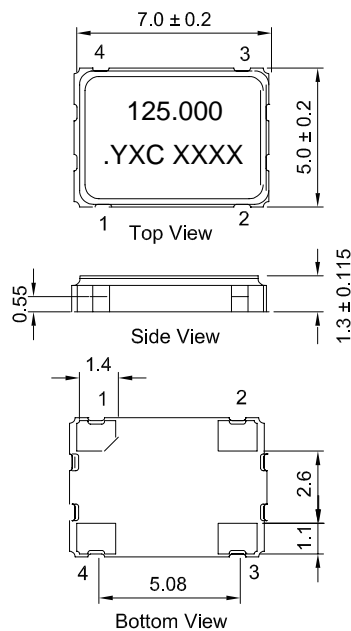
- Small SMD seam sealed clock crystal oscillator units.
- High precision characteristic covering up to wide frequency range.
- Designed for automatic mounting and reflow soldering.
- Tri-State function available.
- Supply voltage range : 1.8 V ~ 5 V.
- High stability, low jitter, low power consumption.
- Main application : wireless communication, PC, and LCDM.
- RoHS Compliant / Pb Free.



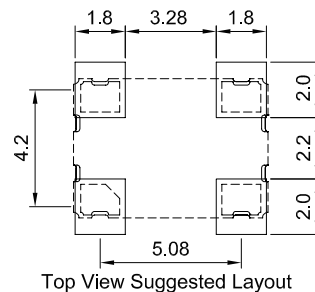
Electrical Specifications

Item / Type	YSO751SR
Output Type	CMOS
Output Load	15pF, or specify
Oscillation Mode	Fundamental / 3rd Overtone
Supply Voltage	1.8V/2.5V/3.3V/5V, or specify
Frequency Range	1 ~ 200 MHz
Frequency Stability	± 10 ppm ~ ± 50 ppm
Operating Temperature Range	- 20 ~ + 70 °C , - 40 ~ + 85 °C
Storage Temperature Range	- 40 ~ + 85 °C , - 55 ~ + 125 °C
Voltage Vol (Max.) / Vol (Min.)	90%Vdd min./10%Vdd max
Rise (Tr) / Fall (Tf) Time	8 ns Max.
Supply Current	See Below
Symmetry	40 ~ 60 % Standard
Start-up Time	10 ms Max.
Aging (at 25 °C)	± 3 ppm / year Max.

Dimensions



PAD FUNCTION:
1: ENABLE CONTROL
2: GND
3: OUT
4: VDD



Units: mm

给您一颗快乐的“芯”!

★ PART NUMBER GUIDE 部件号示例 e.g. O7050125MEEA4SC YSO751SR=7.0×5.0 SMD SEAM TYPE

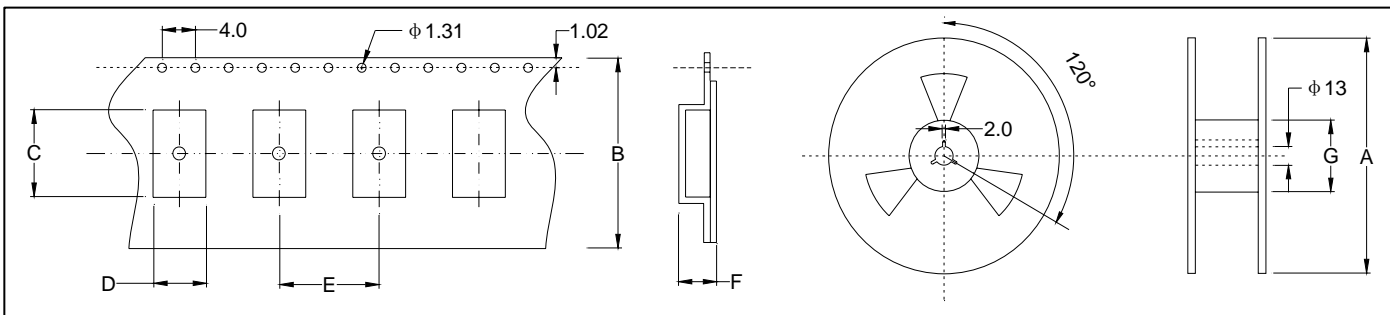
Quartz Crystal Oscillator	Dimensions	Frequency (Hz)	Supply voltage (V)	Frequency Stability Overall (ppm)	output	Pin	Material	Operating Temp. Range
O	7050	125M	E	E	A	4	S	C

Definition	Description	Definition	Description
Frequency Stability 频率稳定度	B: ±10ppm	Operating Temp. 工作温度	C: -20~+70°C
	D: ±20ppm		I: -40~+85°C
	E: ±25ppm		X: Customer specified
	H: ±50ppm		

★ INPUT CURRENT 工作电流

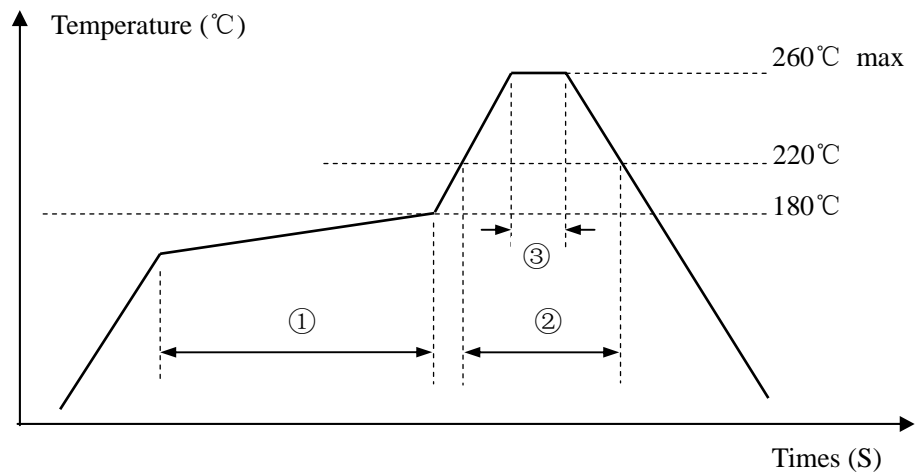
Vdc=5.0V		Vdc=1.8-3.3V	
15pF only		15pF only	
1.0 ~ 35.999 MHz	25 mA max	1.0 ~ 35.999 MHz	20mA max
36.0 ~ 69.999 MHz	60mA max	36.0 ~ 69.999 MHz	40mA max
70.0 ~ 150 MHz	80mA max	70.0 ~ 150 MHz	60mA max

★ TAPING SPECIFICATION (Unit: mm) 编带规格



	A	B	C	D	E	F	G
OSC-SMD7050	178±2.0	16.0±0.3	8.40±0.15	5.80±0.15	7.88±0.1	1.90±0.1	58.0±1.0
1000 pcs per reel							

★ REFLOW SOLDERING PROFILE 回流焊特性



Pb free reflow A	①	Preheat	160~180°C	120sec. max
	②	Primary heat	220°C	60sec. max
	③	Peak	260°C	10sec. max.

★ Test Circuit(测试电路)

