



东莞市纳百川电子科技有限公司

DONGGUAN NBC ELECTRONIC TECHNOLOGIC CO., LTD

Tel:86-769-8511 7870

Fax:86-769-85117850

[Http://www.anen-power.com](http://www.anen-power.com)

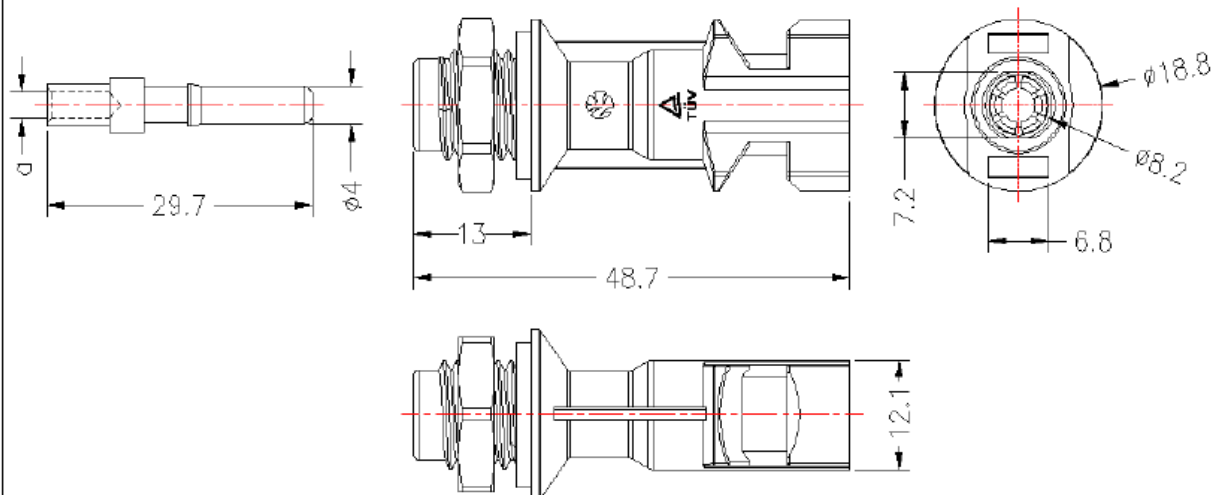
Email:sales@anen-power.com



### PV 4.0 Panel Male Connector

Product Specifications	
Insulation material	PPE
Rated current	30A
Rated voltage	1000V (TUV) & 600V (UL)
Test voltage	6kV(50Hz, Imin)
Typical contact resistance	≤5 mΩ
Contact material	Copper, Tin plated
Degree of protection	IP2X/IP67
Safety degree	II
Flame class	UL94-V0
Material RTI	110℃
Withdrawal force	≥50N
Insertion force	≤50N
Ambient temperature range	-40℃ until +85℃
Suitable cable cross sections	2.5~6.0 mm <sup>2</sup> (10AWG~14AWG)
Pin dimensions	Φ4.0

#### Drawing:



Part No.	"d"(Terminal Size)	For Cable Size
4P2501-002	$\Phi 2.1 \pm 0.2$ mm	2.5 mm <sup>2</sup> & 14AWG
4P4001-002	$\Phi 2.8 \pm 0.2$ mm	4.0 mm <sup>2</sup> & 12AWG
4P6001-002	$\Phi 3.4 \pm 0.2$ mm	6.0 mm <sup>2</sup> & 10AWG