

CD4066B Types

CMOS Quad Bilateral Switch

For Transmission or Multiplexing of Analog or Digital Signals

High-Voltage Types (20-Volt Rating)

■ CD4066B is a quad bilateral switch intended for the transmission or multiplexing of analog or digital signals. It is pin-for-pin compatible with RCA-CD4016B, but exhibits a much lower on-state resistance. In addition, the on-state resistance is relatively constant over the full input-signal range.

The CD4066B consists of four independent bilateral switches. A single control signal is required per switch. Both the p and the n device in a given switch are biased on or off simultaneously by the control signal. As shown in Fig.1, the well of the n-channel device on each switch is either tied to the input when the switch is on or to V_{SS} when the switch is off. This configuration eliminates the variation of the switch-transistor threshold voltage with input signal, and thus keeps the on-state resistance low over the full operating-signal range.

The advantages over single-channel switches include peak input-signal voltage swings equal to the full supply voltage, and more constant on-state impedance over the input-signal range. For sample-and-hold applications, however, the CD4016B is recommended.

The CD4066B is available in 14-lead ceramic dual-in-line packages (D and F suffixes), 14-lead plastic dual-in-line packages (E suffix), 14-lead small-outline package (NSR suffix), and in chip form (H suffix).

MAXIMUM RATINGS, Absolute-Maximum Values:

| | | |
|---|-------------------------------------|--|
| DC SUPPLY-VOLTAGE RANGE, (V _{DD}) | -0.5V to +20V | |
| Voltages referenced to V _{SS} Terminal | | |
| INPUT VOLTAGE RANGE, ALL INPUTS | -0.5V to V _{DD} + 0.5V | |
| DC INPUT CURRENT, ANY ONE INPUT | ±10mA | |
| POWER DISSIPATION PER PACKAGE (P _D): | | |
| For T _A = -55°C to +100°C | 500mW | |
| For T _A = +100°C to +125°C | Derate Linearly at 12mW/°C to 200mW | |
| DEVICE DISSIPATION PER OUTPUT TRANSISTOR | | |
| FOR T _A = FULL PACKAGE-TEMPERATURE RANGE (All Package Types) | 100mW | |
| OPERATING-TEMPERATURE RANGE (T _A) | -55°C to +125°C | |
| STORAGE TEMPERATURE RANGE (T _{stg}) | -65°C to +150°C | |
| LEAD TEMPERATURE (DURING SOLDERING): | | |
| At distance 1/16 ± 1/32 inch (1.59 ± 0.79mm) from case for 10s max | +265°C | |

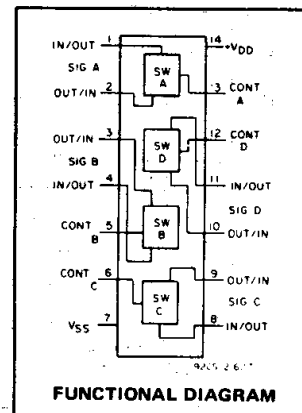
RECOMMENDED OPERATING CONDITIONS

For maximum reliability, nominal operating conditions should be selected so that operation is always within the following ranges:

| CHARACTERISTIC | LIMITS | | UNITS |
|--|--------|------|-------|
| | Min. | Max. | |
| Supply-Voltage Range (For T _A = Full Package-Temperature Range) | 3 | 18 | V |

Features:

- 15-V digital or ±7.5-V peak-to-peak switching
- 125Ω typical on-state resistance for 15-V operation
- Switch on-state resistance matched to within 5 Ω over 15-V signal-input range
- On-state resistance flat over full peak-to-peak signal range
- High on/off output-voltage ratio: 80 dB typ. @ f_{is} = 10 kHz, R_L = 1 kΩ
- High degree of linearity: <0.5% distortion typ. @ f_{is} = 1 kHz, V_{is} = 5 Vp-p, V_{DD} - V_{SS} ≥ 10 V, R_L = 10 kΩ
- Extremely low off-state switch leakage resulting in very low offset current and high effective off-state resistance: 10 pA typ. @ V_{DD} - V_{SS} = 10 V, T_A = 25°C
- Extremely high control input impedance (control circuit isolated from signal circuit): 10¹² Ω typ.
- Low crosstalk between switches: -50 dB typ. @ f_{is} = 8 MHz, R_L = 1 kΩ
- Matched control-input to signal-output capacitance: Reduces output signal transients
- Frequency response, switch on = 40 MHz (typ.)
- 100% tested for quiescent current at 20 V
- 5-V, 10-V, and 15-V parametric ratings
- Meets all requirements of JEDEC Tentative Standard No. 13B, "Standard Specifications for Description of "B" Series CMOS Devices"



Applications:

- Analog signal switching/multiplexing
 - Signal gating
 - Modulator
 - Squelch control
 - Demodulator
 - Chopper
 - Commutating switch
- Digital signal switching/Multiplexing
- Transmission-gate logic implementation
- Analog-to-digital & digital-to-analog conversion
- Digital control of frequency, impedance, phase, and analog-signal gain

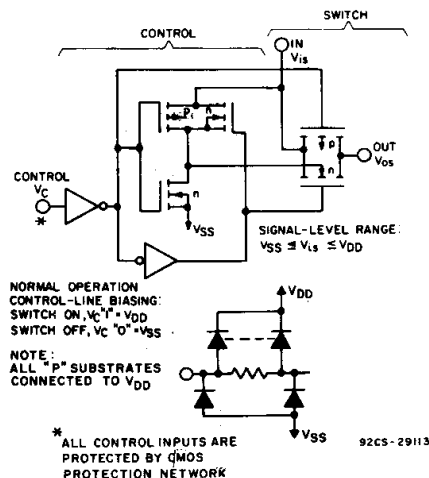


Fig. 1 – Schematic diagram of 1 of 4 identical switches and its associated control circuitry.

CD4066B Types

ELECTRICAL CHARACTERISTICS

| CHARACTERISTIC | TEST CONDITIONS | LIMITS AT INDICATED TEMPERATURES (°C) | | | | | | | | UNITS |
|---|--|---------------------------------------|------------------------|------|------|------|-------------------|------|------|-------|
| | | V _{IN} (V) | V _{DD} (V) | | | | | +25 | | |
| | | | | -55 | -40 | +85 | +125 | Typ. | Max. | |
| Quiescent Device Current, I _{DD} | | 0,5 | 5 | 0.25 | 0.25 | 7.5 | 7.5 | 0.01 | 0.25 | μA |
| | | 0,10 | 10 | 0.5 | 0.5 | 15 | 15 | 0.01 | 0.5 | |
| | | 0,15 | 15 | 1 | 1 | 30 | 30 | 0.01 | 1 | |
| | | 0,20 | 20 | 5 | 5 | 150 | 150 | 0.02 | 5 | |
| Signal Inputs (V_{is}) and Output (V_{os}) | | | | | | | | | | |
| On-State Resistance, r _{on} Max. | V _C = V _{DD} R _L = 10 kΩ returned to V _{DD} - V _{SS} 2 V _{is} = V _{SS} to V _{DD} | 5 | 800 | 850 | 1200 | 1300 | 470 | 1050 | Ω | |
| | | 10 | 310 | 330 | 500 | 550 | 180 | 400 | | |
| | | 15 | 200 | 210 | 300 | 320 | 125 | 240 | | |
| Δ On-State Resistance Between Any 2 Switches, Δr _{on} | R _L = 10 kΩ, V _C = V _{DD} | 5 | - | - | - | - | 15 | - | Ω | |
| | | 10 | - | - | - | - | 10 | - | | |
| | | 15 | - | - | - | - | 5 | - | | |
| Total Harmonic Distortion, THD | V _C = V _{DD} = 5 V, V _{SS} = -5 V, V _{is} (p-p) = 5 V (Sine wave centered on 0 V) R _L = 10 kΩ, f _{is} = 1 kHz sine wave | - | - | - | - | - | 0.4 | - | % | |
| -3dB Cutoff Frequency (Switch on) | V _C = V _{DD} = 5 V, V _{SS} = -5 V, V _{is} (p-p) = 5 V (Sine wave centered on 0 V) R _L = 1 kΩ. | - | - | - | - | - | 40 | - | MHz | |
| -50dB Feed-through Frequency (Switch off) | V _C = V _{SS} = -5 V, V _{is} (p-p) = 5 V Sine wave centered on 0 V R _L = 1 kΩ | - | - | - | - | - | 1 | - | MHz | |
| Input/Output Leakage Current (Switch off) I _{is} Max. | V _C = 0 V V _{is} = 18 V; V _{os} = 0 V, V _{is} = 0 V; V _{os} = 18 V | 18 | ±0.1 | ±0.1 | ±1 | ±1 | ±10 ⁻⁵ | ±0.1 | μA | |
| -50 dB Crosstalk Frequency | V _C (A) = V _{DD} = +5 V, V _C (B) = V _{SS} = -5 V, V _{is} (A) = 5 V _{p-p} , 50 Ω source R _L = 1 kΩ | - | - | - | - | - | 8 | - | MHz | |
| Propagation Delay (Signal Input to Signal Output) t _{pd} | R _L = 200 kΩ V _C = V _{DD} , V _{SS} = GND, C _L = 50 pF V _{is} = 10 V (Square wave centered on 5 V) t _r , t _f = 20 ns | 5 | - | - | - | - | 20 | 40 | ns | |
| | | 10 | - | - | - | - | 10 | 20 | | |
| | | 15 | - | - | - | - | 7 | 15 | | |
| Capacitance: Input, C _{is} | V _{DD} = +5 V | - | - | - | - | - | 8 | - | pF | |
| Output, C _{os} | V _C = V _{SS} = -5 V | - | - | - | - | - | 8 | - | | |
| Feedthrough, C _{ios} | | - | - | - | - | - | 0.5 | - | | |

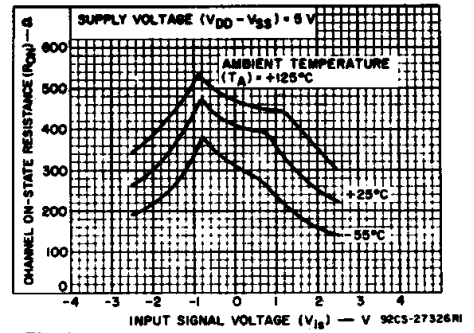


Fig. 2— Typical on-state resistance vs. input signal voltage (all types).

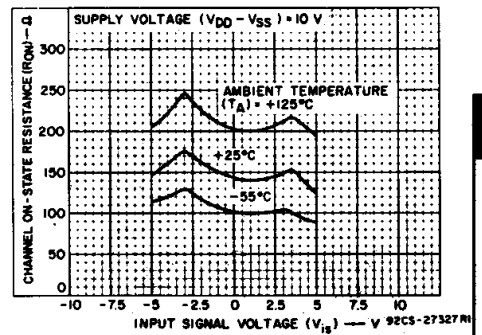


Fig. 3— Typical on-state vs. input signal voltage (all types).

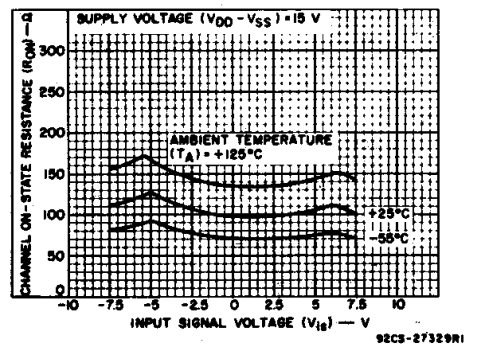


Fig. 4— Typical on-state resistance vs. input signal voltage (all types).

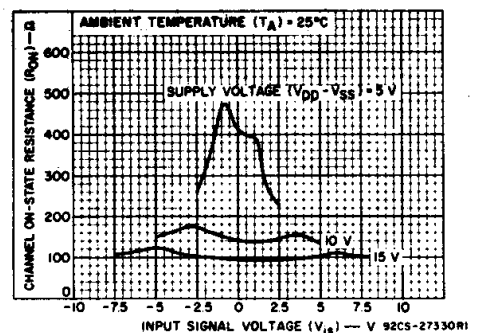


Fig. 5— on-state resistance vs. input signal voltage (all types).

3
COMMERCIAL CMOS
HIGH VOLTAGE ICs

CD4066B Types

ELECTRICAL CHARACTERISTICS (cont'd)

| CHARACTERISTIC | TEST CONDITIONS | LIMITS AT INDICATED TEMPERATURES (°C) | | | | | | | UNITS | |
|--|--|---------------------------------------|-------------------------------------|-------------|-------------|-------------|-------------------|----------------|-------|------|
| | | V _{DD} (V) | +25 | | | | | Typ. | | Max. |
| | | | -55 | -40 | +85 | +125 | | | | |
| Control (V_C) | | | | | | | | | | |
| Control Input Low Voltage, V _{ILC} Max. | I _{is} < 10 μA V _{is} = V _{SS} , V _{OS} = V _{DD} and V _{is} = V _{DD} , V _{OS} = V _{SS} | 5 10 15 | 1 2 2 | 1 2 2 | 1 2 2 | 1 2 2 | - - - | 1 2 2 | V | |
| Control Input High Voltage, V _{IHC} | See Fig. 6 | 5 10 15 | 3.5 (Min.) 7 (Min.) 11 (Min.) | | | | | | V | |
| Input Current, I _{IN} Max. | V _{is} ≤ V _{DD} V _{DD} - V _{SS} = 18 V V _{CC} ≤ V _{DD} - V _{SS} | 18 | ±0.1 | ±0.1 | ±1 | ±1 | ±10 ⁻⁵ | ±0.1 | μA | |
| Crosstalk (Control Input to Signal Output) | V _C = 10 V (Sq. Wave) t _r , t _f = 20 ns R _L = 10 kΩ | 10 | - | - | - | - | 50 | - | mV | |
| Turn-On and Turn-Off Propagation Delay | V _{IN} = V _{DD} t _r , t _f = 20 ns C _L = 50 pF R _L = 1 kΩ | 5 10 15 | - | - | - | - | 35 20 15 | 70 40 30 | ns | |
| Maximum Control Input Repetition Rate | V _{is} = V _{DD} , V _{SS} = GND, R _L = 1 kΩ to gnd, C _L = 50 pF, V _C = 10 V (Square wave centered on 5 V) t _r , t _f = 20 ns, V _{os} = ½ V _{OS} @ 1 kHz | 5 10 15 | - | - | - | - | 6 9 9.5 | - | MHz | |
| Input Capacitance, C _{IN} | | | - | - | - | - | 5 | 7.5 | pF | |

| V _{DD} (V) | V _{is} (V) | Switch Input | | | | | Switch Output, V _{OS} (V) | |
|---------------------|---------------------|----------------------|-------|-------|-------|--------|------------------------------------|------|
| | | I _{is} (mA) | | | | | Min. | Max. |
| | | -55°C | -40°C | +25°C | +85°C | +125°C | | |
| 5 | 0 | 0.64 | 0.61 | 0.51 | 0.42 | 0.36 | - | 0.4 |
| 5 | 5 | -0.64 | -0.61 | -0.51 | -0.42 | -0.36 | 4.6 | - |
| 10 | 0 | 1.6 | 1.5 | 1.3 | 1.1 | 0.9 | - | 0.5 |
| 10 | 10 | -1.6 | -1.5 | -1.3 | -1.1 | -0.9 | 9.5 | - |
| 15 | 0 | 4.2 | 4 | 3.4 | 2.8 | 2.4 | - | 1.5 |
| 15 | 15 | -4.2 | -4 | -3.4 | -2.8 | -2.4 | 13.5 | - |

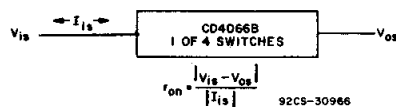


Fig. 6— Determination of r_{on} as a test condition for control input high voltage (V_{IHC}) specification.

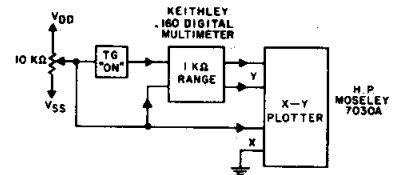


Fig. 7— Channel on-state resistance measurement circuit.

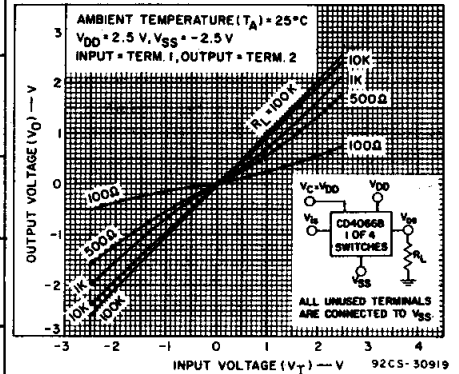


Fig. 8— Typical ON characteristics for 1 of 4 Channels.

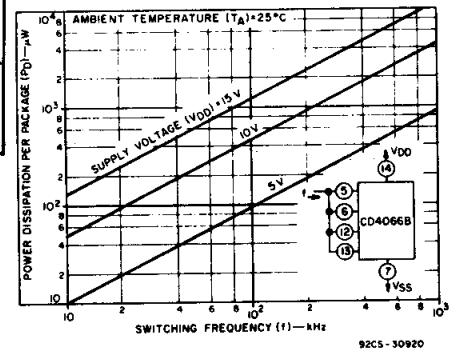


Fig. 9— Power dissipation per package vs. switching frequency.

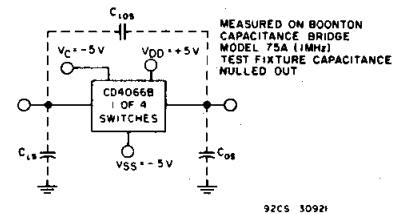


Fig. 10— Capacitance test circuit.

CD4066B Types

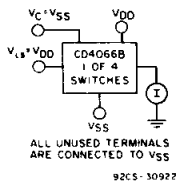


Fig. 11 - Off-switch input or output leakage.

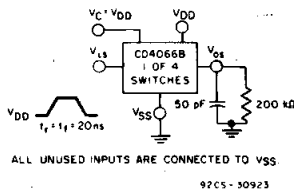


Fig. 12 - Propagation delay time signal input (V_{Is}) to signal output (V_{Os}).

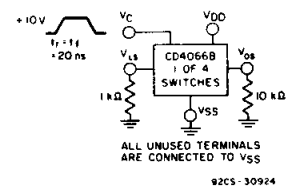


Fig. 13 - Crosstalk-control input to signal output.

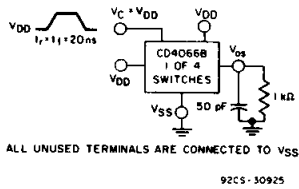


Fig. 14 - Propagation delay t_{PLH} , t_{PHL} control-signal output. Delay is measured at V_{Os} level of +10% from ground (turn-on) or on-state output level (turn-off).

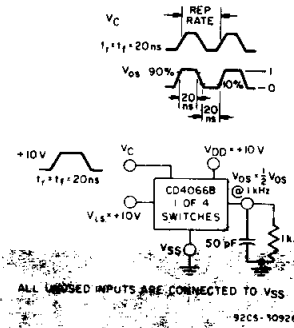


Fig. 15 - Maximum allowable control input repetition rate.

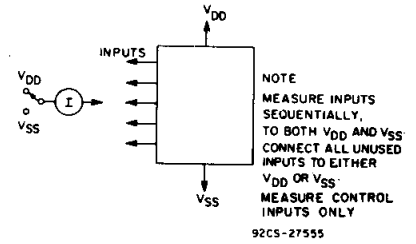


Fig. 16 - Input leakage current test circuit.

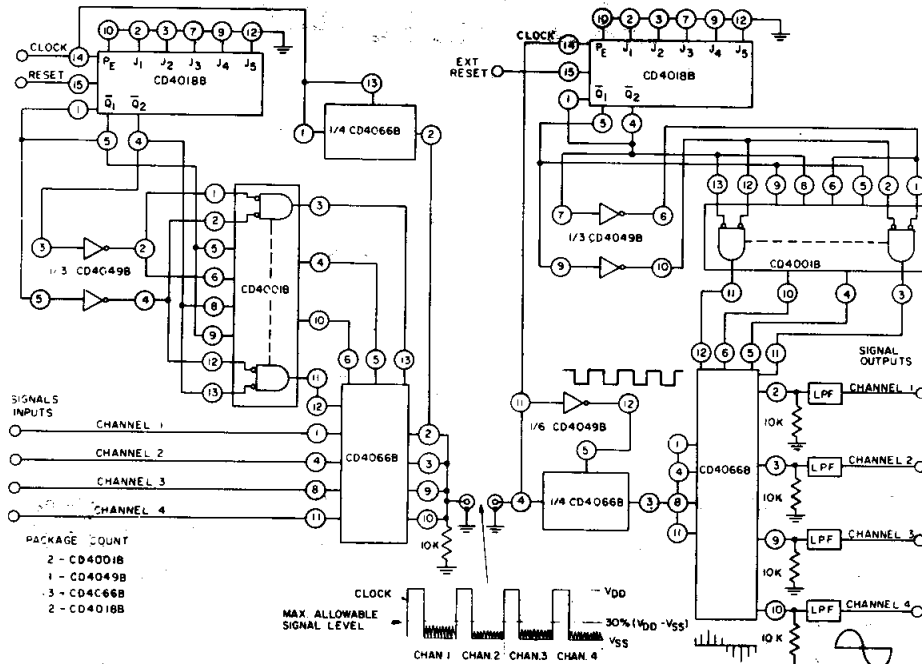


Fig. 17 - 4-channel PAM multiplex system diagram.

3
COMMERCIAL CMOS
HIGH VOLTAGE ICs

CD4066B Types

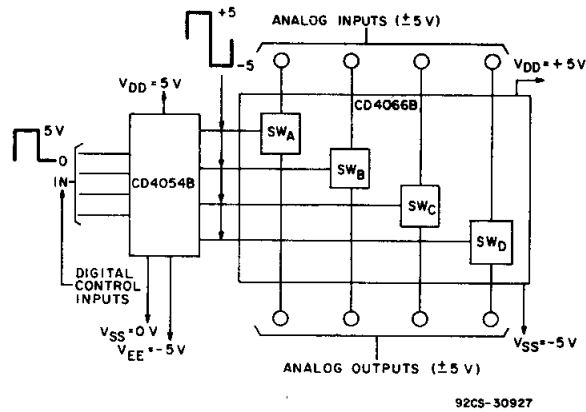
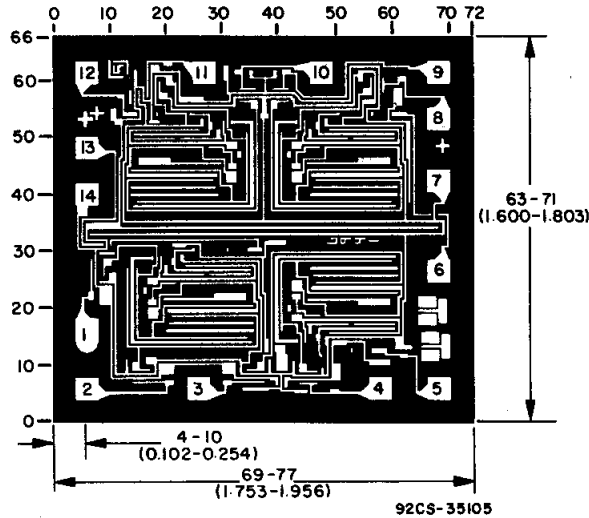


Fig. 18 — Bidirectional signal transmission via digital control logic.



CD4066BH CHIP DIMENSIONS AND PAD LAYOUT

Dimensions in parentheses are in millimeters and are derived from the basic inch dimensions as indicated. Grid graduations are in mils (10^{-3} inch).

SPECIAL CONSIDERATIONS — CD4066B

- In applications that employ separate power sources to drive V_{DD} and the signal inputs, the V_{DD} current capability should exceed V_{DD}/R_L (R_L = effective external load of the four CD4066B bilateral switches). This provision avoids any permanent current flow or clamp action on the V_{DD} supply when power is applied or removed from the CD4066B.
- In certain applications, the external load-resistor current may include both V_{DD} and signal-line components. To avoid drawing V_{DD} current when switch current flows into terminals 1, 4, 8, or 11, the voltage drop across the bidirectional switch must not exceed 0.8 volts (calculated from R_{ON} values shown).
No V_{DD} current will flow through R_L if the switch current flows into terminals 2, 3, 9, or 10.

IMPORTANT NOTICE

Texas Instruments Incorporated and its subsidiaries (TI) reserve the right to make corrections, modifications, enhancements, improvements, and other changes to its products and services at any time and to discontinue any product or service without notice. Customers should obtain the latest relevant information before placing orders and should verify that such information is current and complete. All products are sold subject to TI's terms and conditions of sale supplied at the time of order acknowledgment.

TI warrants performance of its hardware products to the specifications applicable at the time of sale in accordance with TI's standard warranty. Testing and other quality control techniques are used to the extent TI deems necessary to support this warranty. Except where mandated by government requirements, testing of all parameters of each product is not necessarily performed.

TI assumes no liability for applications assistance or customer product design. Customers are responsible for their products and applications using TI components. To minimize the risks associated with customer products and applications, customers should provide adequate design and operating safeguards.

TI does not warrant or represent that any license, either express or implied, is granted under any TI patent right, copyright, mask work right, or other TI intellectual property right relating to any combination, machine, or process in which TI products or services are used. Information published by TI regarding third-party products or services does not constitute a license from TI to use such products or services or a warranty or endorsement thereof. Use of such information may require a license from a third party under the patents or other intellectual property of the third party, or a license from TI under the patents or other intellectual property of TI.

Reproduction of information in TI data books or data sheets is permissible only if reproduction is without alteration and is accompanied by all associated warranties, conditions, limitations, and notices. Reproduction of this information with alteration is an unfair and deceptive business practice. TI is not responsible or liable for such altered documentation.

Resale of TI products or services with statements different from or beyond the parameters stated by TI for that product or service voids all express and any implied warranties for the associated TI product or service and is an unfair and deceptive business practice. TI is not responsible or liable for any such statements.

Mailing Address:

Texas Instruments
Post Office Box 655303
Dallas, Texas 75265