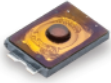


**NEW!**

# KXT Series Ultra Low Profile Top Actuated



### Features

- 3.0 x 2.0 mm footprint
- 0.58 mm thickness
- High number of cycle

### Typical Applications

- Wearable electronics
- In-Ear headphones, Earbuds
- Mobile Phones
- Portable Electronics
- Hearing Aids



**B**

Tactile Switches

### Specification

FUNCTION: momentary action  
 CONTACT ARRANGEMENT: 1 make contact = SPST, N.O.  
 TERMINALS: G type for SMT  
 TRAVEL: 0.13 mm ± 0.05 mm

### Mechanical

	Operating force gf	Operating Life
KXT 111 LHS	100 ± 30	300,000
KXT 121 LHS	180 ± 50	300,000
KXT 131 LHS	240 ± 70	300,000

### Electrical

MAXIMUM VOLTAGE: 12 VDC  
 MAXIMUM CURRENT DC: 50 mA  
 DIELECTRIC STRENGTH: 100 V AC (1mm)  
 CONTACT RESISTANCE: ≤ 500 mΩ  
 INSULATION RESISTANCE: ≥ 100 MΩ  
 BOUNCE TIME: ≤ 10 ms

### Environmental

OPERATING TEMPERATURE: -30°C to 85°C  
 STORAGE TEMPERATURE: -40°C to 90°C

### Process

SOLDERING: This component is suited to the following methods:  
 Infrared Reflow Soldering in accordance with IEC61760-1

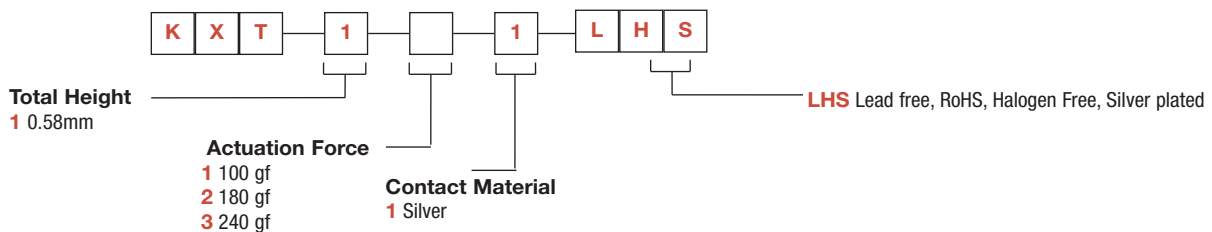
### Packaging

In reels of 17,000 pieces  
 Dimensions of reels according to EIA 481B  
 External diameter 330 mm

**NOTE:** Specifications listed above are for switches with standard options.  
 For information on specific and custom switches, consult Customer Service Center.

### Part Number Description

For any part number different from those listed above, please consult your local representative.

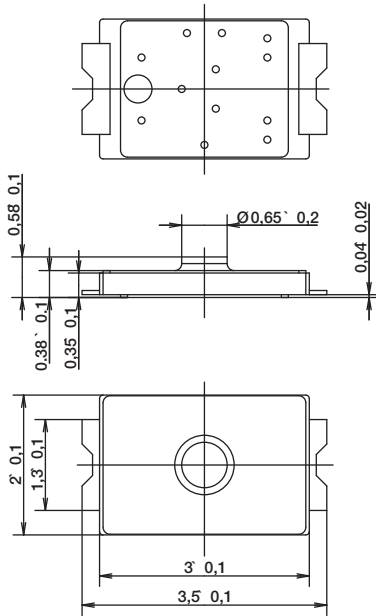


# KXT Series Ultra Low Profile Top Actuated

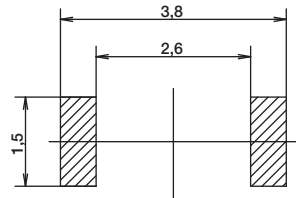
**NEW!**

Tactile Switches

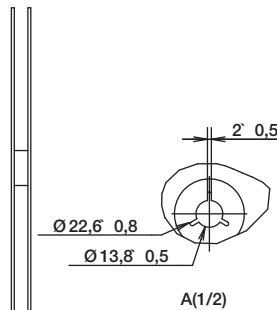
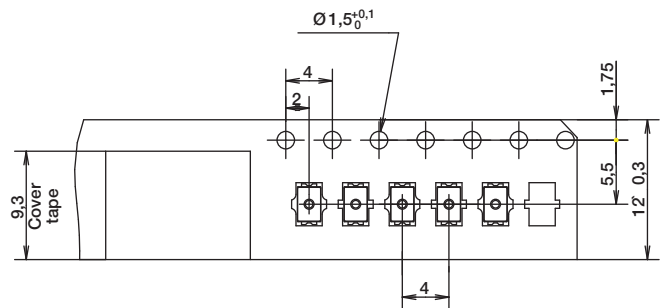
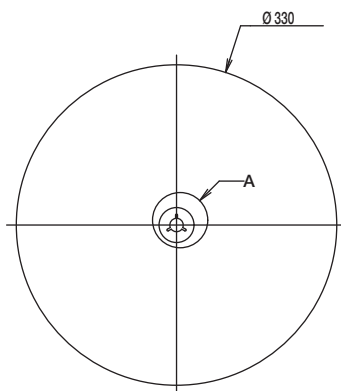
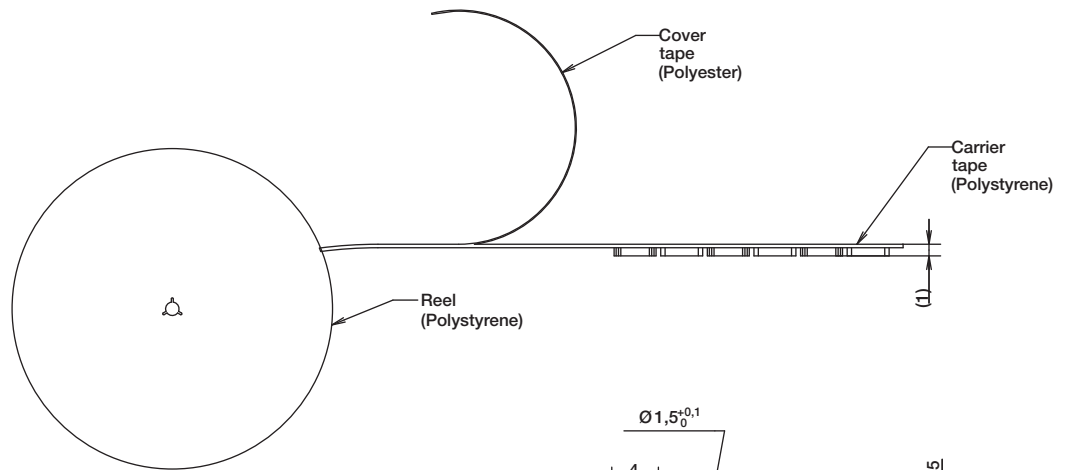
**B**



SCHEMATIC



RECOMMENDED PCB LAYOUT



# Mouser Electronics

Authorized Distributor

Click to View Pricing, Inventory, Delivery & Lifecycle Information:

## C&K Components:

[KXT 111 LHS](#) [KXT 121 LHS](#) [KXT 131 LHS](#)