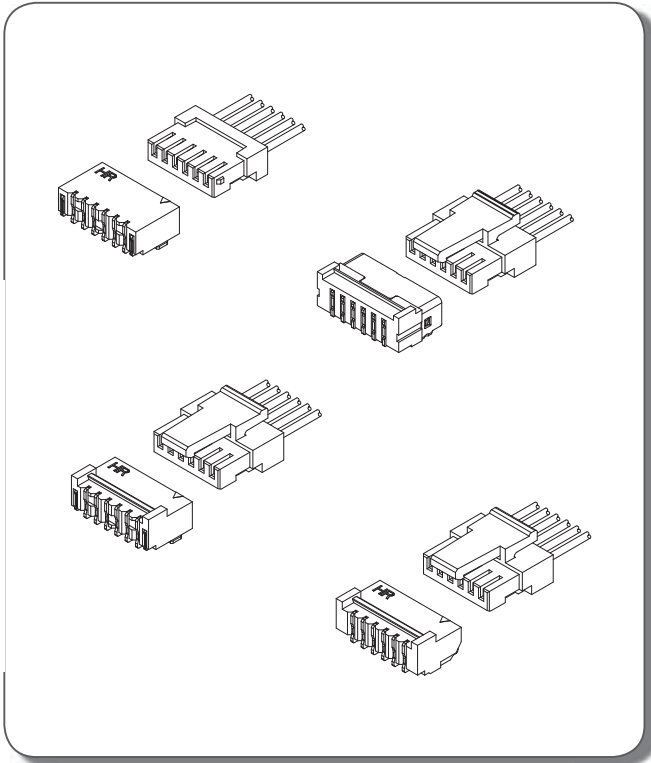




# A1024 SERIES

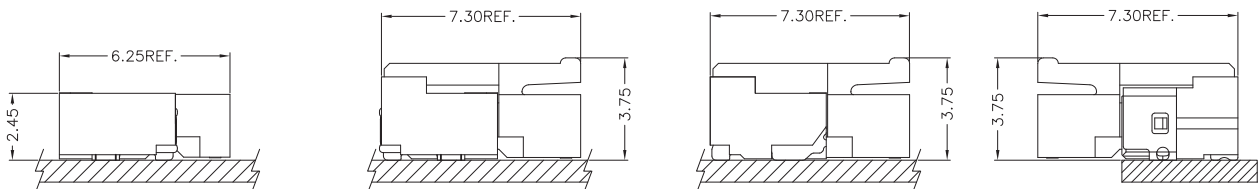
1.00mm pitch wire to board connector



## Specifications

- Current rating: 1A AC,DC
- Voltage rating: 50V AC,DC
- Temperature range: -25°C ~ +85°C
- Contact resistance: 20mΩ Max.
- Insulation resistance: 100MΩ Min.
- Withstanding voltage: 500V AC/minute
- \*Contact H.R for details\*

## Assembly layout



## Ordering code

① ② ③ ④  
A1024-T P E

- ① Series No.
- ② Plating code: T=Tin-plated, G=Gold-plated
- ③ Material: P=Phosphor bronze
- ④ E=Stamping before plating

① ② ③ ④  
A1024 H A-06P

- ① Series No.
- ② H=Housing
- ③ Blank=Without lock structure type  
A=With lock structure type
- ④ No. of circuits

① ② ③ ④ ⑤ ⑥  
A1024 WR A-S-06P D01

- ① Series No.
- ② Connector type: WR=Right angle
- ③ Blank=Normal type, A=A type, B=B type, C=C type
- ④ Mounting type: S=SMT
- ⑤ No. of circuits
- ⑥ Option code:  
D01=Gold-flash, Taping reel



# A1024 SERIES

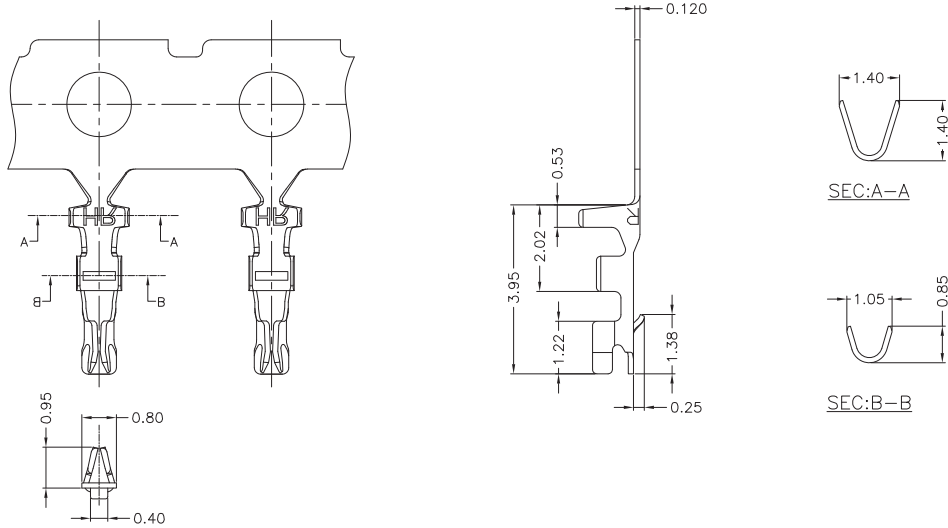
1.00mm pitch wire to board connector

## A1024-T

1.00mm pitch Crimp Terminal

### Reference Informations:

\*Used in H.R A1024 series Housing



### Ordering Information & Specifications:

Unit:mm

Part No.	Wire Range	Insulation O.D.	Material	Finish	Qty/reel
A1024-TPE	AWG#28-#32	0.80mm(max)	Phosphor Bronze	Tin-plated	15,000pcs
A1014-GPE	AWG#28-#32	0.80mm(max)	Phosphor Bronze	Gold-plated	15,000pcs

## A1024H

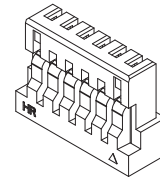
1.00mm pitch Housing

### Reference Informations:

\*Material: Nylon 66 UL94V-0

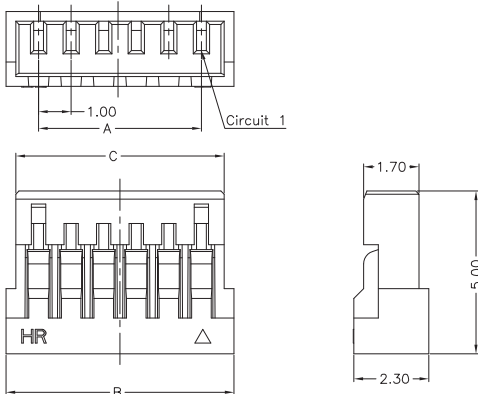
\*Suitable H.R A1024 series Terminal

\*Mates with H.R A1024 series single row Wafer



### Ordering Information & Dimensions:

A1024 H-XP		N	0	W	NP	N	00	G
		①	②	③	④	⑤	⑥	⑦
①	N=Halogen Free							
②	Material: 0=Nylon 66-V0							
③	Color: W=White							
④	Plating code: NP=Non-plating							
⑤	Plating code: N=Non-plating							
⑥	Option code: 00=Standard							
⑦	Packing code: G=Bag							



PART NO.	Dimensions		
	A	B	C
A1024H-02P	1.00	3.00	2.40
A1024H-03P	2.00	4.00	3.40
A1024H-04P	3.00	5.00	4.40
A1024H-05P	4.00	6.00	5.40
A1024H-06P	5.00	7.00	6.40
A1024H-07P	6.00	8.00	7.40
A1024H-08P	7.00	9.00	8.40
A1024H-09P	8.00	10.00	9.40
A1024H-10P	9.00	11.00	10.40
A1024H-11P	10.00	12.00	11.40
A1024H-12P	11.00	13.00	12.40
A1024H-13P	12.00	14.00	13.40
A1024H-14P	13.00	15.00	14.40
A1024H-15P	14.00	16.00	15.40
A1024H-16P	15.00	17.00	16.40
A1024H-17P	16.00	18.00	17.40
A1024H-18P	17.00	19.00	18.40
A1024H-19P	18.00	20.00	19.40
A1024H-20P	19.00	21.00	20.40

Unit:mm



# A1024 SERIES

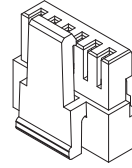
1.00mm pitch wire to board connector

## A1024HA

1.00mm pitch Housing

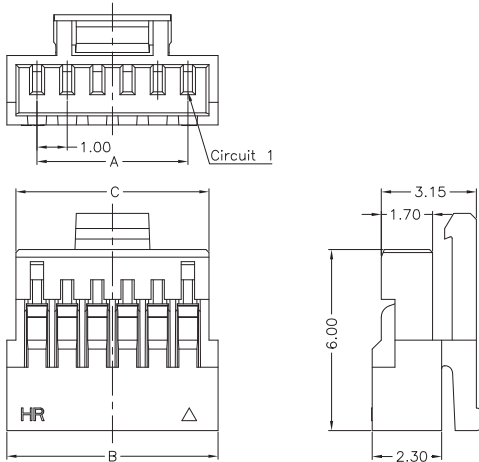
### Reference Informations:

- \*Material: Nylon 66 UL94V-0
- \*Suitable H.R A1024 serie Terminal
- \*Mates with H.R A1024 serie Wafer



	A1024 HA-XP						
	N	0	W	NP	N	00	G
	①	②	③	④	⑤	⑥	⑦

① N=Halogen Free  
 ② Material: 0=Nylon 66-V0  
 ③ Color: W=White  
 ④ Plating code: NP=Non-plating  
 ⑤ Plating code: N=Non-plating  
 ⑥ Option code: 00=Standard  
 ⑦ Packing code: G=Bag



### Ordering Information & Dimensions:

PART NO.	Dimensions		
	A	B	C
A1024HA-02P	1.00	3.00	2.40
A1024HA-03P	2.00	4.00	3.40
A1024HA-04P	3.00	5.00	4.40
A1024HA-05P	4.00	6.00	5.40
A1024HA-06P	5.00	7.00	6.40
A1024HA-07P	6.00	8.00	7.40
A1024HA-08P	7.00	9.00	8.40
A1024HA-09P	8.00	10.00	9.40
A1024HA-10P	9.00	11.00	10.40
A1024HA-11P	10.00	12.00	11.40
A1024HA-12P	11.00	13.00	12.40
A1024HA-13P	12.00	14.00	13.40
A1024HA-14P	13.00	15.00	14.40
A1024HA-15P	14.00	16.00	15.40
A1024HA-16P	15.00	17.00	16.40
A1024HA-17P	16.00	18.00	17.40
A1024HA-18P	17.00	19.00	18.40
A1024HA-19P	18.00	20.00	19.40
A1024HA-20P	19.00	21.00	20.40

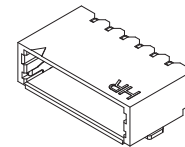
Unit:mm

## A1024WR-S

1.00mm pitch 90° Wafer-SMT TYPE

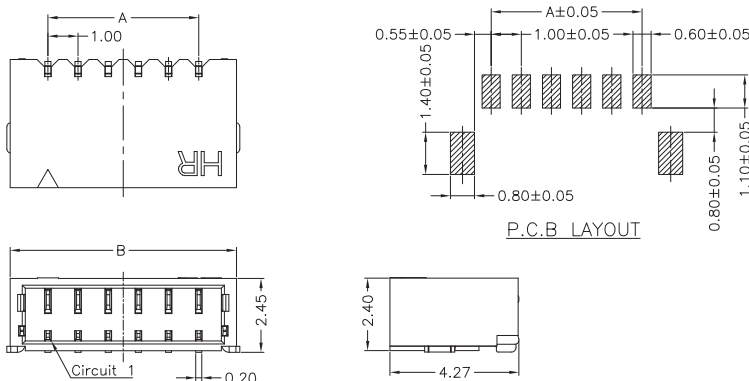
### Reference Informations:

- \*Material: Pin: Phosphor Bronze/Tin-plated  
Solder Tabs: Brass/Tin-plated  
Wafer: LCP,UL94-0
- \*Mates with H.R A1024H serie Housing



	A1024 WR-S-XP						
	N	L	N	XX	X	00	R
	①	②	③	④	⑤	⑥	⑦

① N=Halogen Free  
 ② Material: Material: L=LCP  
 ③ Color: N=Natural(Beige)  
 ④ Plating code : T1=Matte Tin-plated; G1=Gold-flash  
 ⑤ Plating code : T=Matte Tin-plated; G=Gold-flash  
 ⑥ Option code: 00=Standard  
 ⑦ Packing code: R=Tape & Reel(Without Cap or Mylar)



### Ordering Information & Dimensions:

PART NO.	Dimensions	
	A	B
A1024WR-S-02P	1.00	3.50
A1024WR-S-03P	2.00	4.50
A1024WR-S-04P	3.00	5.50
A1024WR-S-05P	4.00	6.50
A1024WR-S-06P	5.00	7.50
A1024WR-S-07P	6.00	8.50
A1024WR-S-08P	7.00	9.50
A1024WR-S-09P	8.00	10.50
A1024WR-S-10P	9.00	11.50
A1024WR-S-11P	10.00	12.50
A1024WR-S-12P	11.00	13.50
A1024WR-S-13P	12.00	14.50
A1024WR-S-14P	13.00	15.50
A1024WR-S-15P	14.00	16.50
A1024WR-S-16P	15.00	17.50
A1024WR-S-17P	16.00	18.50
A1024WR-S-18P	17.00	19.50
A1024WR-S-19P	18.00	20.50
A1024WR-S-20P	19.00	21.50

Unit:mm



# A1024 SERIES

1.00mm pitch wire to board connector

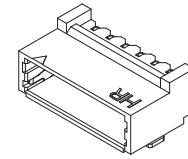
## A1024WRA-S

1.00mm pitch 90° Wafer-SMT TYPE

### Reference Informations:

\*Material: Pin: Phosphor Bronze/Tin-plated  
 Solder Tabs: Brass/Tin-plated  
 Wafer: LCP,UL94-0

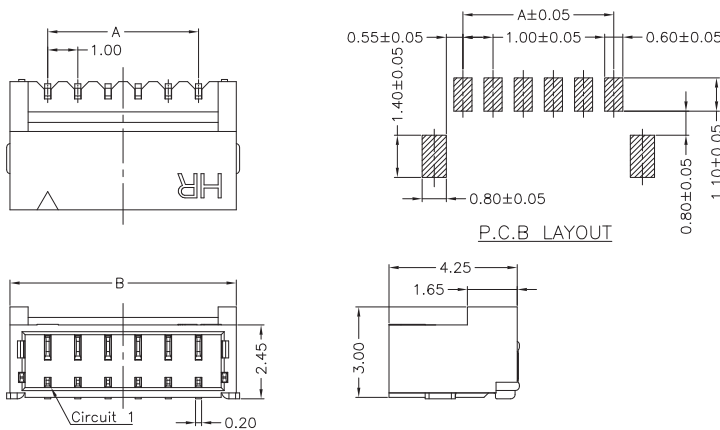
\*Mates with H.R A1024HA serie Housing



Ordering Information & Dimensions:

	A1024 WRA-S-XP	N	L	N	XX	X	00	R
		①	②	③	④	⑤	⑥	⑦

① N=Halogen Free  
 ② Material: Material: L=LCP  
 ③ Color: N=Natural(Beige)  
 ④ Plating code : T1=Matte Tin-plated; G1=Gold-flash  
 ⑤ Plating code : T=Matte Tin-plated; G=Gold-flash  
 ⑥ Option code: 00=Standard  
 ⑦ Packing code: R=Tape & Reel(Without Cap or Mylar)



PART NO.	Dimensions	
	A	B
A1024WRA-S-02P	1.00	3.50
A1024WRA-S-03P	2.00	4.50
A1024WRA-S-04P	3.00	5.50
A1024WRA-S-05P	4.00	6.50
A1024WRA-S-06P	5.00	7.50
A1024WRA-S-07P	6.00	8.50
A1024WRA-S-08P	7.00	9.50
A1024WRA-S-09P	8.00	10.50
A1024WRA-S-10P	9.00	11.50
A1024WRA-S-11P	10.00	12.50
A1024WRA-S-12P	11.00	13.50
A1024WRA-S-13P	12.00	14.50
A1024WRA-S-14P	13.00	15.50
A1024WRA-S-15P	14.00	16.50
A1024WRA-S-16P	15.00	17.50
A1024WRA-S-17P	16.00	18.50
A1024WRA-S-18P	17.00	19.50
A1024WRA-S-19P	18.00	20.50
A1024WRA-S-20P	19.00	21.50

Unit:mm

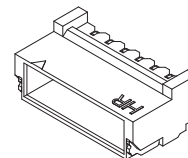
## A1024WRB-S

1.00mm pitch 90° Wafer-SMT TYPE

### Reference Informations:

\*Material: Pin: Phosphor Bronze/Matte Tin-plated  
 Solder Tabs: Brass/Matte Tin-plated  
 Wafer: LCP,UL94-0

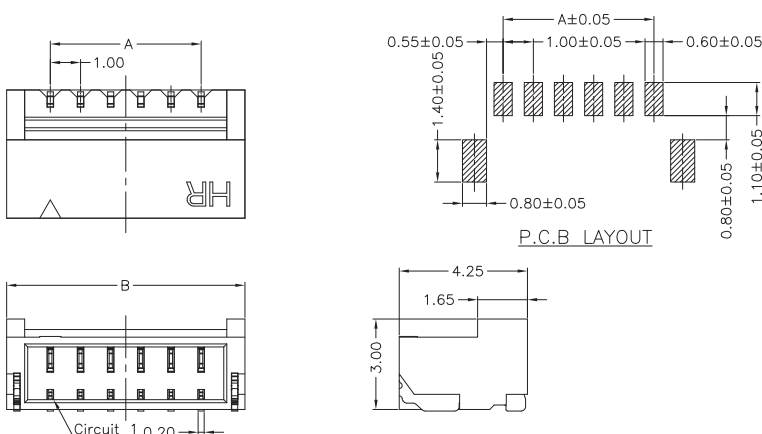
\*Mates with H.R A1024HA serie Housing



Ordering Information & Dimensions:

	A1024 WRB-S-XP	N	L	T1	T	00	R
		①	②	③	④	⑤	⑥

① N=Halogen Free  
 ② Material: Material: L=LCP  
 ③ Color: N=Natural  
 ④ Plating code : T1=Matte Tin-plated  
 ⑤ Plating code : T=Matte Tin-plated  
 ⑥ Option code: 00=Standard  
 ⑦ Packing code: R=Tape & Reel(Without Cap or Mylar)



PART NO.	Dimensions	
	A	B
A1024WRB-S-02P	1.00	3.50
A1024WRB-S-03P	2.00	4.50
A1024WRB-S-04P	3.00	5.50
A1024WRB-S-05P	4.00	6.50
A1024WRB-S-06P	5.00	7.50
A1024WRB-S-07P	6.00	8.50
A1024WRB-S-08P	7.00	9.50
A1024WRB-S-09P	8.00	10.50
A1024WRB-S-10P	9.00	11.50
A1024WRB-S-11P	10.00	12.50
A1024WRB-S-12P	11.00	13.50
A1024WRB-S-13P	12.00	14.50
A1024WRB-S-14P	13.00	15.50
A1024WRB-S-15P	14.00	16.50
A1024WRB-S-16P	15.00	17.50
A1024WRB-S-17P	16.00	18.50
A1024WRB-S-18P	17.00	19.50
A1024WRB-S-19P	18.00	20.50
A1024WRB-S-20P	19.00	21.50

Unit:mm



# A1024 SERIES

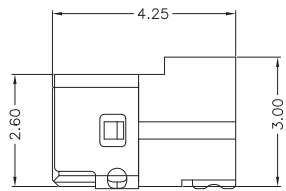
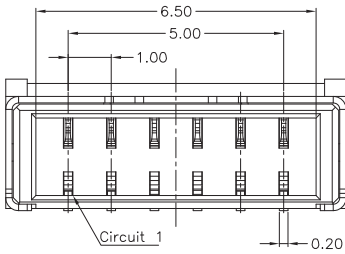
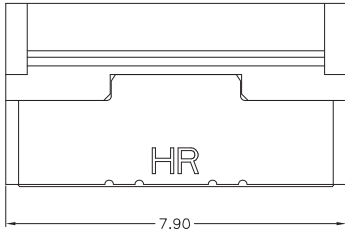
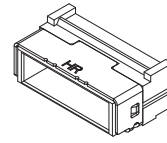
1.00mm pitch wire to board connector

## A1024WRC-S

1.00mm pitch 90° Wafer-SMT TYPE

### Reference Informations:

- \*Material: Pin: Phosphor Bronze/Tin-plated  
Solder Tabs: Brass/Tin-plated  
Wafer: LCP,UL94-0
- \*Mates with H.R A1024HA serise Housing



	A1024 WRC-S-06P						
	N	L	N	T1	G	00	R
①	②	③	④	⑤	⑥	⑦	

① N=Halogen Free  
② Material: Material: L=LCP  
③ Color: N=Natural  
④ Plating code : T1=Matte Tin-plated  
⑤ Plating code : G=Gold-flash  
⑥ Option code: 00=Standard  
⑦ Packing code: R=Tape & Reel(Without Cap or Mylar)

