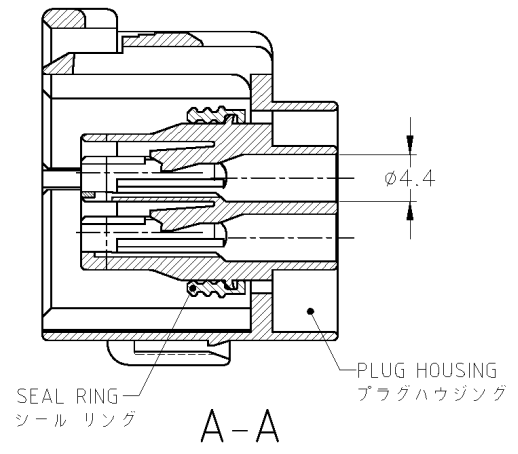
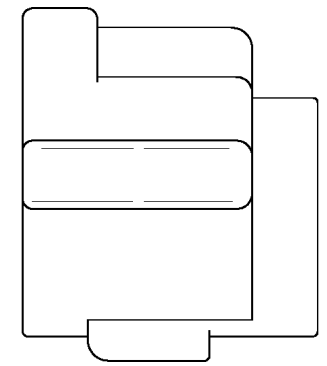
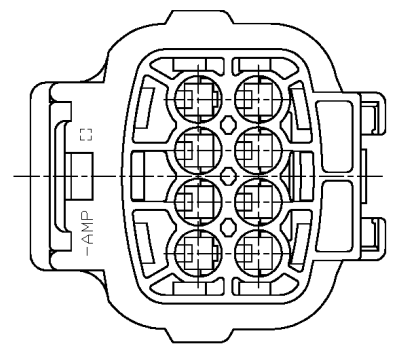
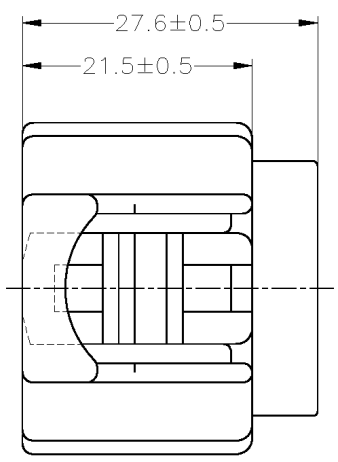
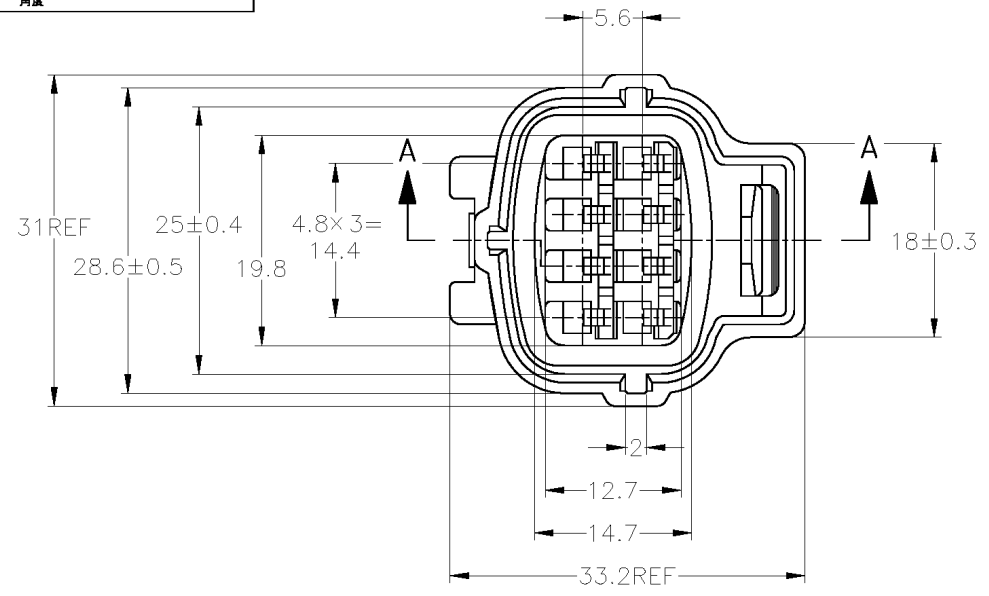


THIS DRAWING IS UNPUBLISHED. RELEASED FOR PUBLICATION ALL RIGHTS RESERVED.

LOC	DIST	REVISIONS					
J	-	P	LTR	DESCRIPTION	DATE	DWN	APVD
		B3	REVISED	ECR-14-016846	12NOV2014	TS	KB

© COPYRIGHT - By -  
 TOLERANCE UNLESS OTHERWISE SPECIFIED:  
 一般公差  
 0 < x ≤ 10 : ±0.2  
 10 < x ≤ 30 : ±0.25  
 30 < x ≤ 100 : ±0.3  
 ANGLE : ±3°  
 角度



1. 嵌合相手型番: 174984
  2. 本品はプラグハウジング単体にシールリングがアッセンブリされたものである。
  3. 本品はダブルロックプレート型番 174983を装着して使用する。
1. FOR CAP HOUSING PN 174984
  2. THIS PART IS COMPOSED OF PLUG HOUSING AND SEAL RING
  3. THIS PART MUST BE USED WITH DOUBLE LOCK PLATE PN 174983

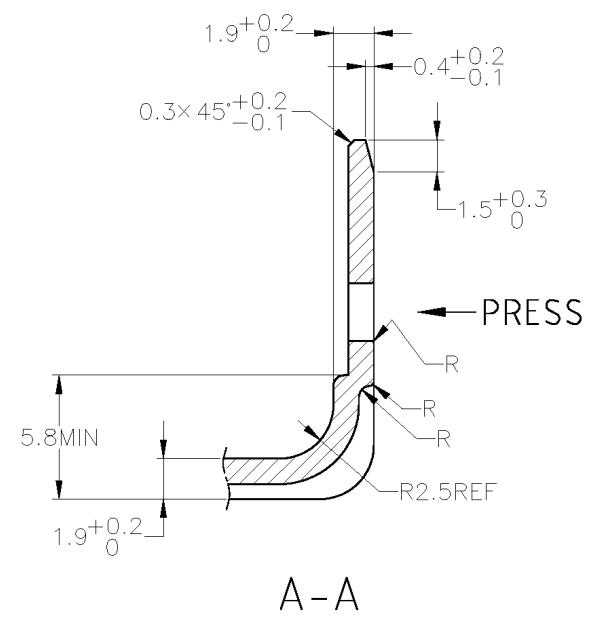
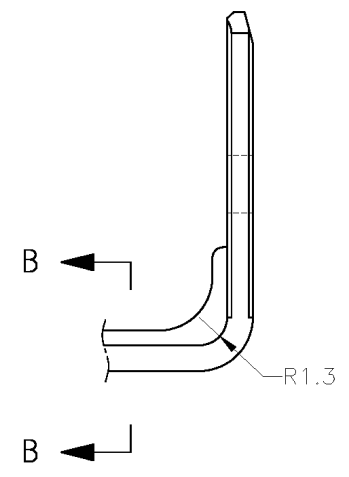
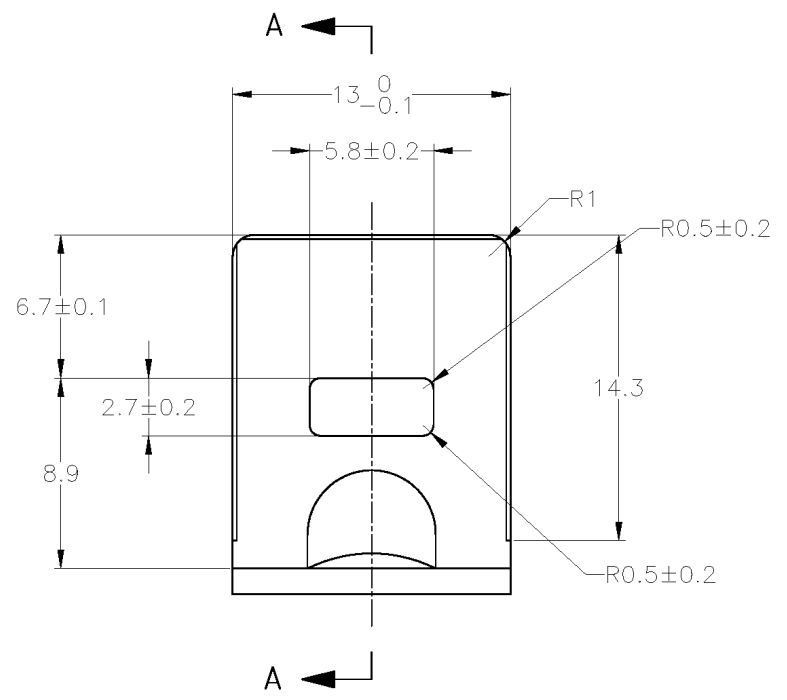
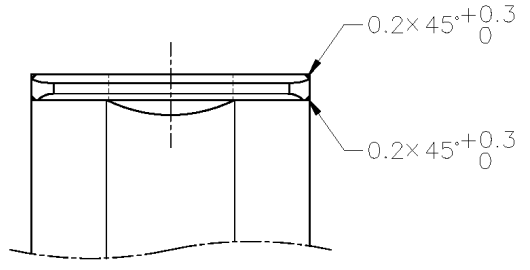
黒 BLACK	174982-2
色 COLOR	型番 PN

THIS DRAWING IS A CONTROLLED DOCUMENT.		DWN	T.SHINOHARA	09FEB04	TE Connectivity							
DIMENSIONS: 単位: 耗 mm		CHK	K.BETSUI	09FEB04								
TOLERANCES UNLESS OTHERWISE SPECIFIED: 一般公差		APVD	K.BETSUI	09FEB04	NAME	8Pos. ECONOSEAL J-MARKII+ CONNECTOR PLUG HOUSING						
0 PLC ± -		PRODUCT SPEC	108-5262		SIZE	A3	CAGE CODE	00779	DRAWING NO	C-174982	RESTRICTED TO	-
1 PLC ± -		APPLICATION SPEC	114-5082		WEIGHT	11g		SCALE	2:1		SHEET	1 of 2
2 PLC ± -		FINISH	仕上		CUSTOMER DRAWING			REV	B3			
3 PLC ± -		MATERIAL	PBT									
4 PLC ± -												
ANGLES ± -												

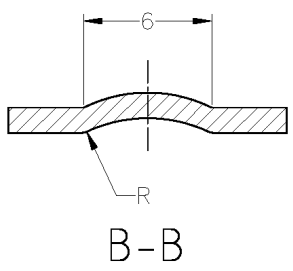
THIS DRAWING IS UNPUBLISHED. RELEASED FOR PUBLICATION  
 © COPYRIGHT - By - ALL RIGHTS RESERVED.

LOC	DIST	REVISIONS					
J	-	P	LTR	DESCRIPTION	DATE	DWN	APVD
		-		SEE SHEET 1	-	-	-

ブラケット推奨寸法図  
 RECOMMENDED DIMENSION OF BRACKET



t = 1.2 ± 0.08



TOLERANCE UNLESS OTHERWISE SPECIFIED:  
 一般公差

0 < x ≤ 10	: ±0.2
10 < x ≤ 30	: ±0.25
30 < x ≤ 100	: ±0.3
ANGLE : 角度	: ±3°

THIS DRAWING IS A CONTROLLED DOCUMENT.		DWN	T.SHINOHARA	09FEB04	TE Connectivity 8Pos. ECONOSEAL J-MARKII+ CONNECTOR PLUG HOUSING
DIMENSIONS: 单位: 耗 mm		CHK	K.BETSUI	09FEB04	
TOLERANCES UNLESS OTHERWISE SPECIFIED: 一般公差		APVD	K.BETSUI	09FEB04	
0 PLC ± - 1 PLC ± - 2 PLC ± - 3 PLC ± - 4 PLC ± - ANGLES ± -		NAME			
MATERIAL 材料		APPLICATION SPEC 取付適用規格		SIZE	A3
FINISH 仕上		WEIGHT		CAGE CODE	00779
		CUSTOMER DRAWING		DRAWING NO 番号	C-174982
				RESTRICTED TO	-
				SCALE 尺度	4:1
				SHEET	2 of 2
				REV	B3

深圳市众多星电子有限公司