

THIS DRAWING IS UNPUBLISHED.

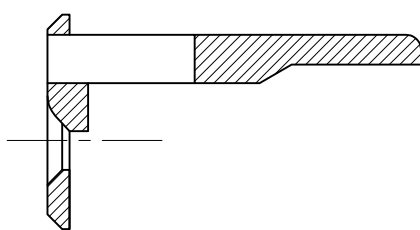
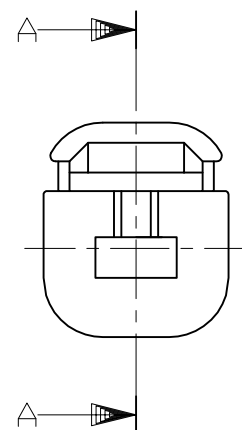
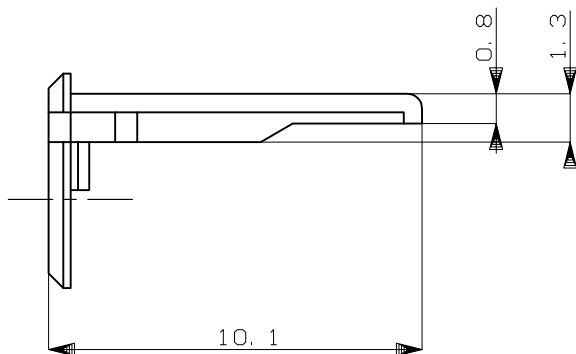
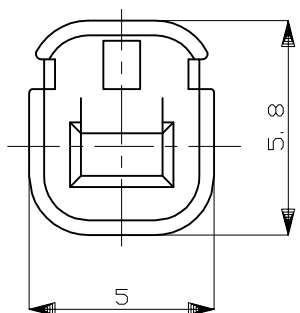
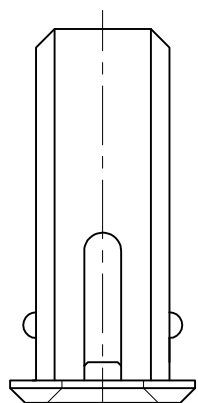
RELEASED FOR PUBLICATION

--

© COPYRIGHT - By -

ALL RIGHTS RESERVED.

LOC	DIST	REVISIONS					
		P	LTR	DESCRIPTION	DATE	DWN	APVD
J	-	A1	REVISED	ECR-15-000191	27JAN2015	TS	KB




SECTION 断面 A-A

1. 本品は、プラグハウジング型番174877に装着される。

1. TO BE MATED WITH PLUG HOUSING (PN 174877)

HB	自然色 (NATURAL)	1-174878-1
V-2	黄 (YELLOW)	174878-7
使用材料難燃グレード (FLAMMABILITY OF MATERIAL)	色 (COLOR)	型番 (PART NUMBER)

THIS DRAWING IS A CONTROLLED DOCUMENT.		DWN K.ODA 10/19'87	 TE Connectivity	
DIMENSIONS: mm		CHK Y.MATSUSAKA 10/20'87		
TOLERANCES UNLESS OTHERWISE SPECIFIED:		APVD M.NOGUCHI 10/20'87	NAME 1P. ECONOSEAL J-MARKII+ CONNECTOR DOUBLE LOCK PLATE FOR PLUG HOUSING	
0 PLC ± - 1 PLC ± - 2 PLC ± - 3 PLC ± - 4 PLC ± - ANGLES ± -		PRODUCT SPEC 108-5262	SIZE A3	
MATERIAL PBT		FINISH -	CAGE CODE 00779	DRAWING NO C=174878
GENERAL TOLERANCE 0 < * ≤ 10 : ±0.2 10 < * ≤ 30 : ±0.25 30 < * ≤ 100 : ±0.3 ANGLES : ±3°		APPLICATION SPEC -	RESTRICTED TO -	SCALE 5:1
		WEIGHT -	SHEET 1 of 1	
		CUSTOMER DRAWING	REV A1	