

THIS DRAWING IS UNPUBLISHED.

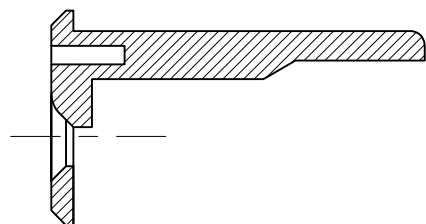
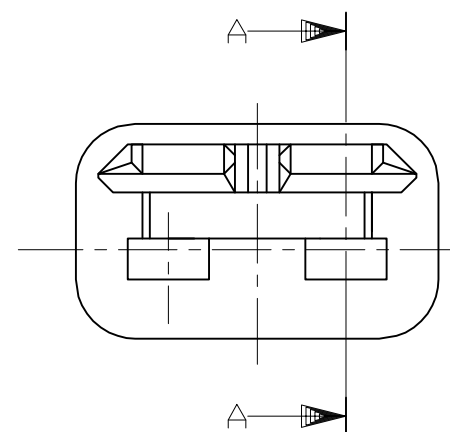
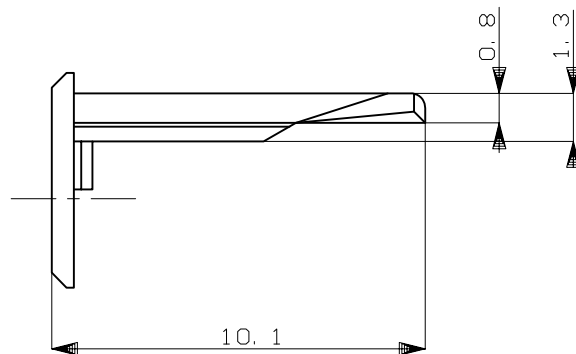
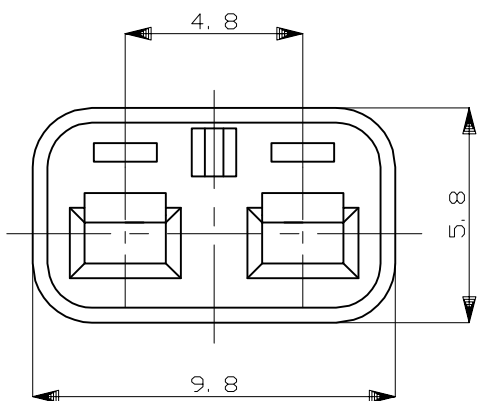
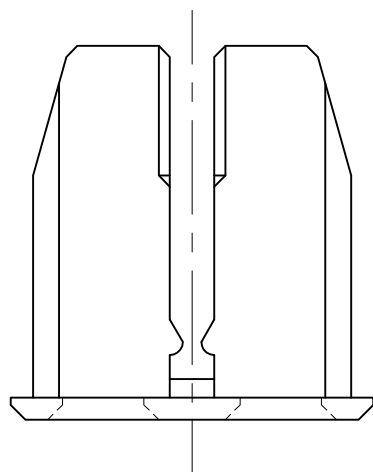
RELEASED FOR PUBLICATION

--

© COPYRIGHT - By -

ALL RIGHTS RESERVED.

LOC	DIST	REVISIONS					
		P	LTR	DESCRIPTION	DATE	DWN	APVD
J	-	C1	REVISED	ECR-15-000191	27JAN2015	TS	KB



SECTION 断面 A-A

1. 本品は、プラグハウジング型番174352に装着される。

1. TO BE MATED WITH PLUG HOUSING (PN 174352)

HB	自然色 (NATURAL)	1-174353-1
V-2	黄 (YELLOW)	174353-7
使用材料難燃グレード (FLAMMABILITY OF MATERIAL)	色 (COLOR)	型番 (PART NUMBER)

THIS DRAWING IS A CONTROLLED DOCUMENT.		DWN K.ODA 8/13'87	STE TE Connectivity	
DIMENSIONS: mm		CHK Y.MATSUSAKA 8/24'87		
TOLERANCES UNLESS OTHERWISE SPECIFIED:		APVD M.NOGUCHI 8/19'87	NAME	
0 PLC ± -		PRODUCT SPEC	2P. ECONOSEAL J-MARKII+ CONNECTOR	
1 PLC ± -		APPLICATION SPEC	DOUBLE LOCK PLATE FOR PLUG HOUSING	
2 PLC ± -		WEIGHT -	SIZE	CAGE CODE
3 PLC ± -		CUSTOMER DRAWING	A3	00779
4 PLC ± -			DRAWING NO	C=174353
ANGLES ± -		RESTRICTED TO	-	
MATERIAL PBT		FINISH -	SCALE	SHEET
GENERAL TOLERANCE		1 of 1		
0 < * ≤ 10 : ±0.2		REV C1		
10 < * ≤ 30 : ±0.25				
30 < * ≤ 100 : ±0.3				
ANGLES : ±3°				

深圳市众多星电子有限公司