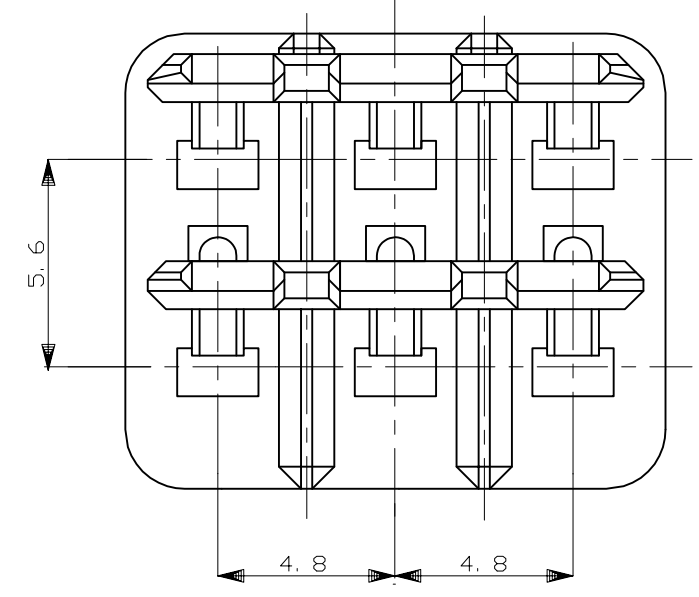
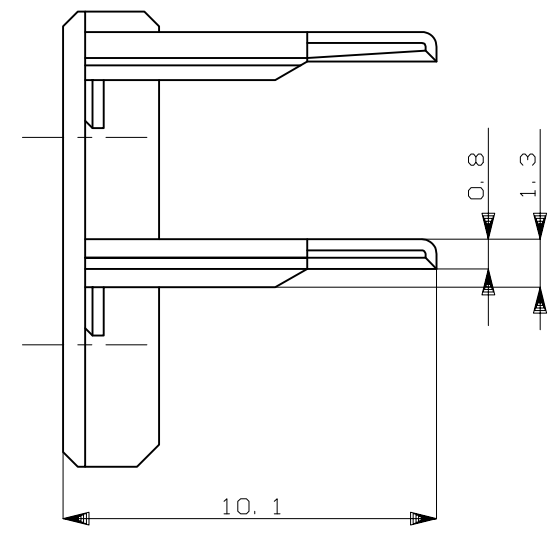
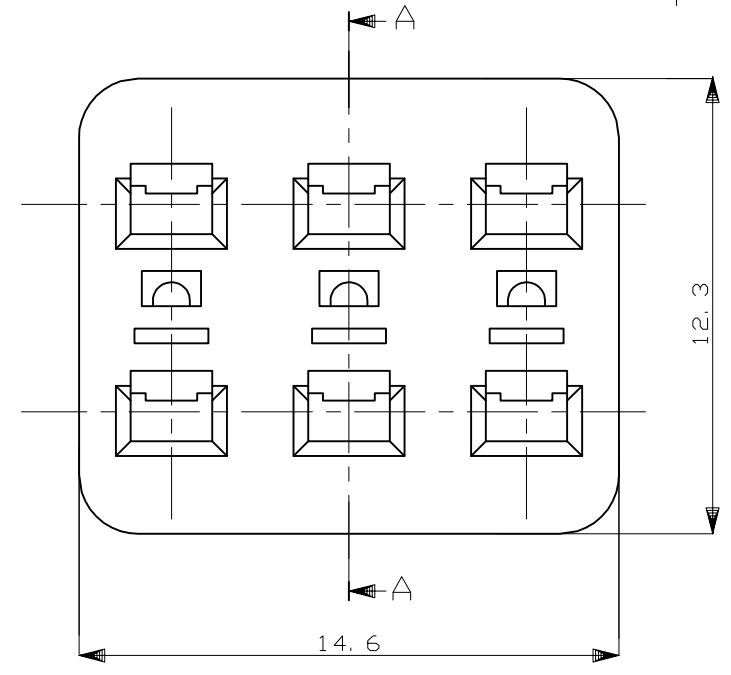
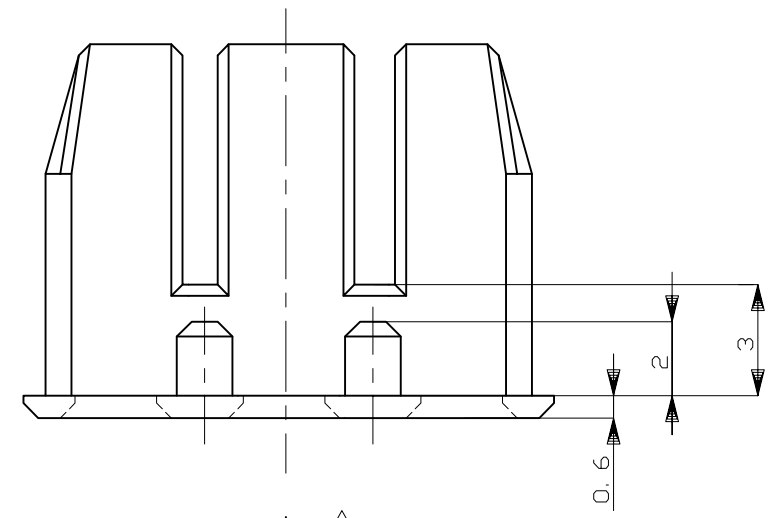
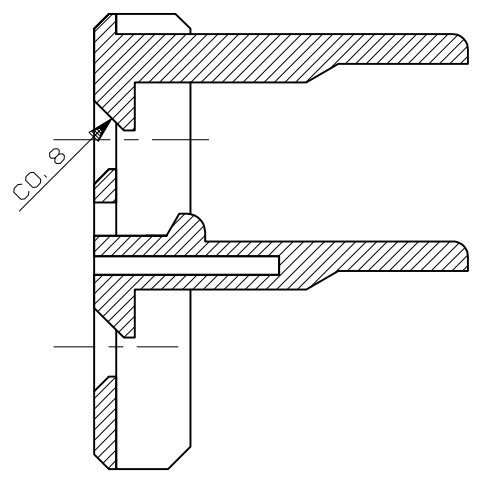


THIS DRAWING IS UNPUBLISHED. RELEASED FOR PUBLICATION
 © COPYRIGHT - By - ALL RIGHTS RESERVED.

LOC	DIST	REVISIONS			
P	LTR	DESCRIPTION	DATE	DWN	APVD
J	-	B1	REVISED	ECR-15-000191	08JAN2014 TS KB




1. 本品は、キャップハウジング型番174262に装着される。
 1. TO BE MATED WITH CAP HOUSING PN 174262



SECT 断面 A-A

GENERAL TOLERANCE

0 < * ≤ 10	: ±0.2
10 < * ≤ 30	: ±0.25
30 < * ≤ 100	: ±0.3
ANGLES	: ±3°

THIS DRAWING IS A CONTROLLED DOCUMENT.		DWN T.SAGAWA 5/16'89	 TE Connectivity			
DIMENSIONS: mm		CHK Y.MATSUSAKA 5/26'89				
TOLERANCES UNLESS OTHERWISE SPECIFIED:		APVD M.NOGUCHI 5/31'89				
0 PLC ± - 1 PLC ± - 2 PLC ± - 3 PLC ± - 4 PLC ± - ANGLES ± -		NAME				
MATERIAL PBT		FINISH -	6P. ECONOSEAL J-MARKII+ CONNECTOR DOUBLE LOCK PLATE FOR PLUG HOUSING			
0 < * ≤ 10 : ±0.2 10 < * ≤ 30 : ±0.25 30 < * ≤ 100 : ±0.3 ANGLES : ±3°		PRODUCT SPEC 108-5262	SIZE A3	CAGE CODE 00779	DRAWING NO C=174263	RESTRICTED TO -
		APPLICATION SPEC -	SCALE 5:1		SHEET 1 of 1	REV B1
		WEIGHT -	CUSTOMER DRAWING			