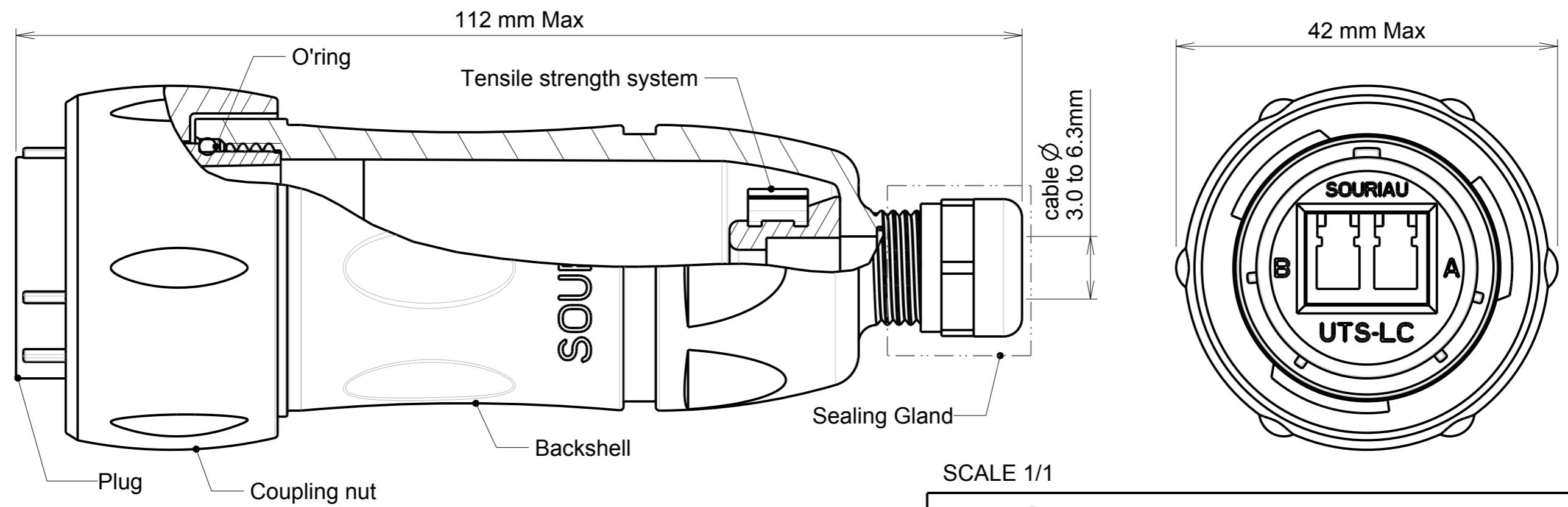
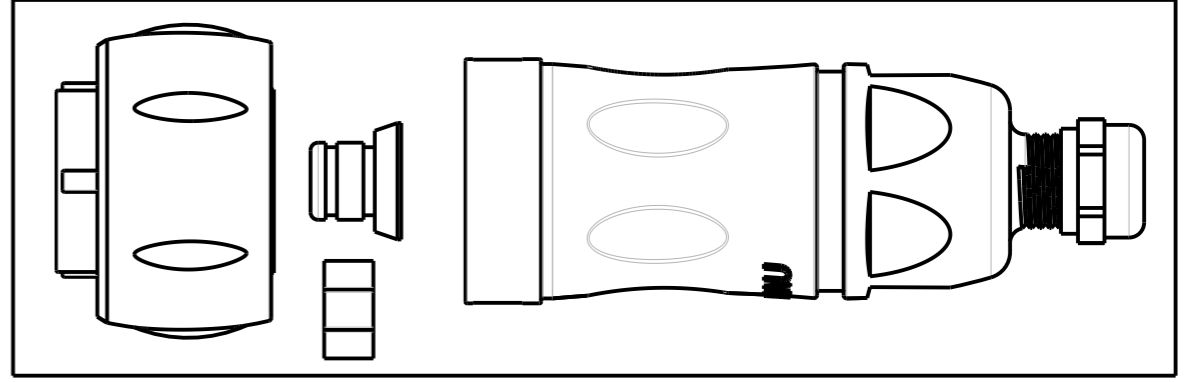


H G F E D C B A

b : 0 : MW



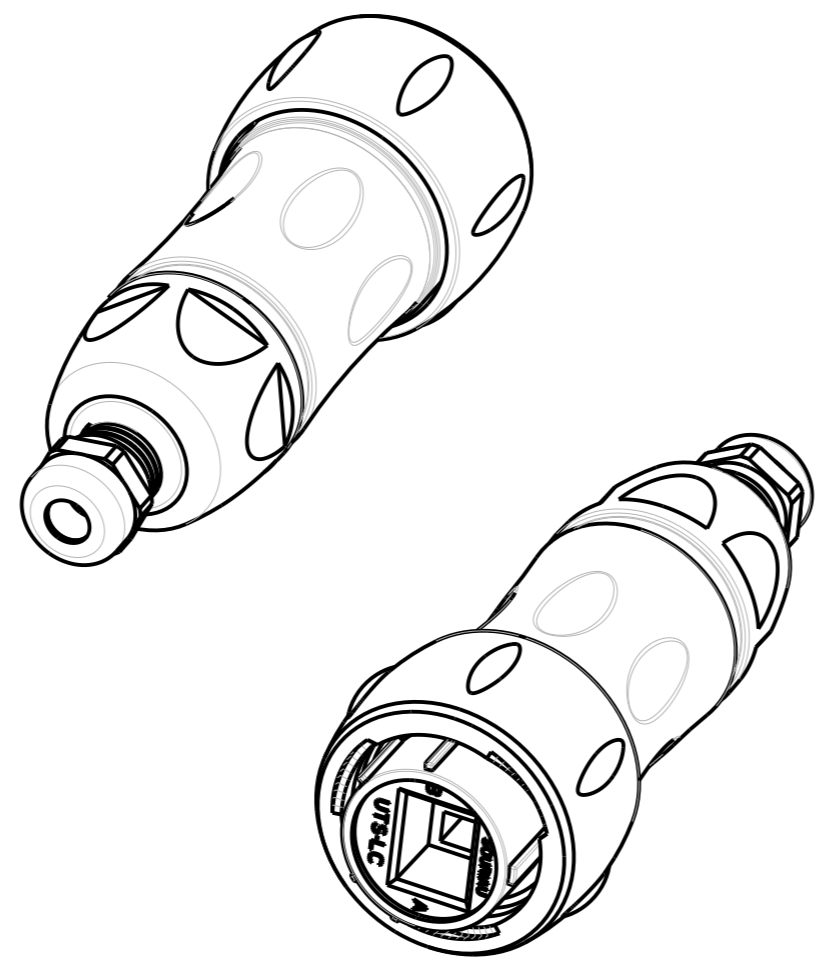
SCALE 1/1



MATERIAL :
 Plug : Plastic
 Backshell : Plastic
 O'ring : Silicone
 Coupling nut : Plastic
 Sealing gland : Plastic

PACKAGING (in a plastic bag) :
 - 1 mounted plug
 - 1 backshell with sealing gland
 - 1 tensile strength kit

TENSILE STRENGTH SYSTEM :
 - See the drawing : UTS19004A-C01



P/N		UTS6JC18LCN		
b	06/03/14	- Reworking of the UTS LC MPO (standard version) folder : Distribution 23434 - Update of the drawing : Accepted range of cable Ø3.0 to 6.3 mm		23434
ISS	DATE	Latest modification - by:		MOD N°
		M.SORLIN		
Designed by:		B.MONCELET	Date: 14/12/12	Type of drawing: CUSTOMER
Checked by:		SEE DISTRIBUTION LIST		Date: SEE DISTRIBUTION LIST
TITLE		Cable plug size 18 with insert and backshell to accept 2 LC contacts / Unitbox		
Scale	General angular	MATERIAL --		
2/1	Tolerances: ± 1°	--		
	General linear	General machining surface texture	Ra 3.2	Geometrical Tolerances See NF EN ISO 1101
	Tolerances : ±0.1			PROJECT IC123609
		SOURIAU Route Nationale 23 72470 CHAMPAGNE Tel. (33)02.43.54.35.00		This document is the property of SOURIAU It must not be reproduced or communicated without permission
FORMAT	DRAWING REFERENCE			SHEET
A3	UTS6JC18LCN-C01			1 / 1

H G F E D C B A