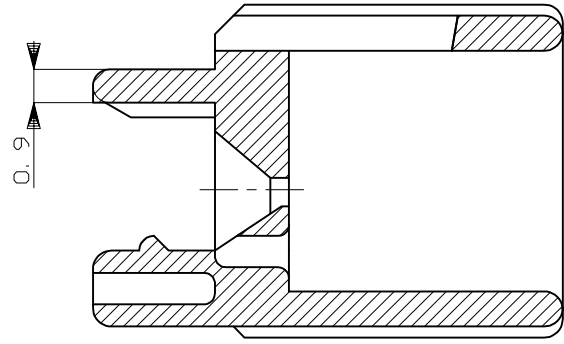
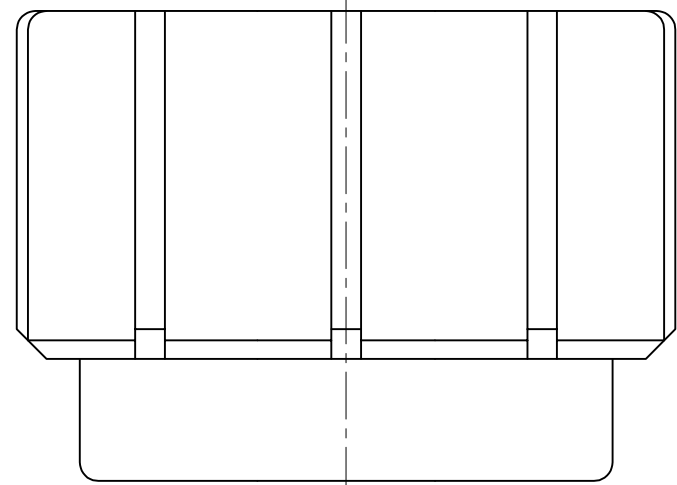
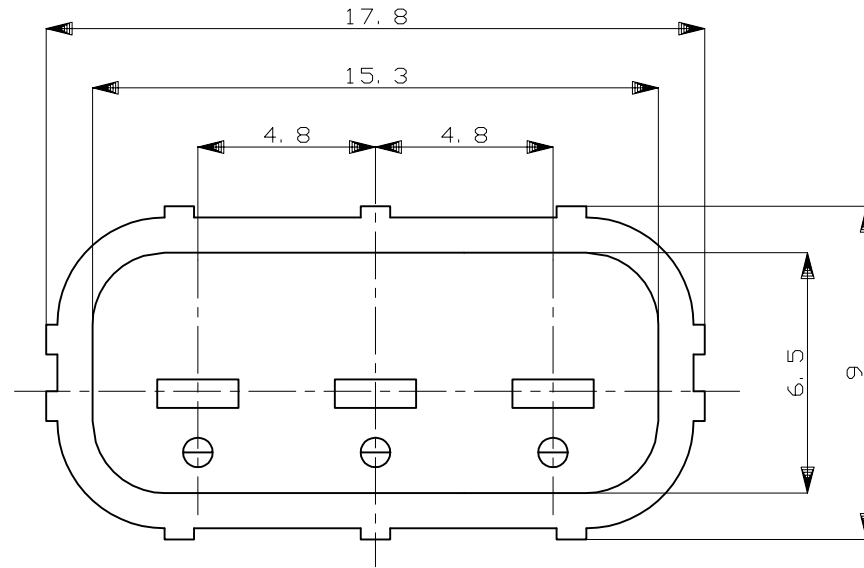
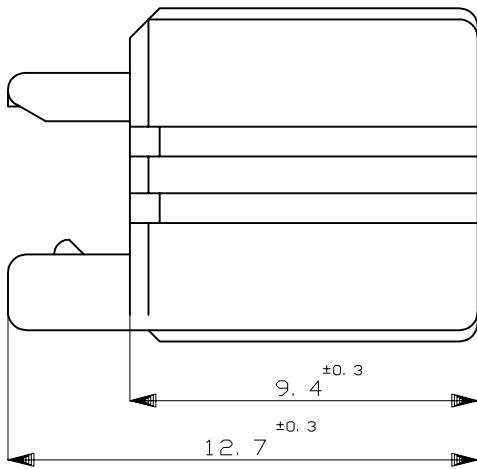
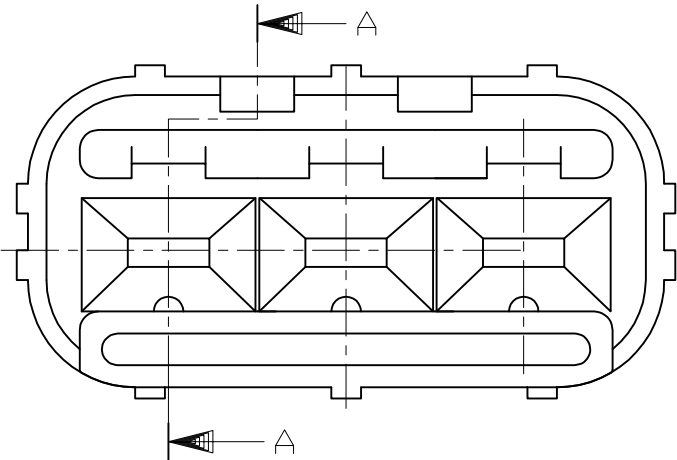


THIS DRAWING IS UNPUBLISHED. RELEASED FOR PUBLICATION
 © COPYRIGHT - By - ALL RIGHTS RESERVED.

LOC	DIST	REVISIONS					
		P	LTR	DESCRIPTION	DATE	DWN	APVD
J	-	C1	REVISED	ECR-15-000191	08JAN2014	TS	KB




SECTION 断面 A-A



1. 本品は、キャップハウジング型番174359に装着される。
 1. TO BE MATED WITH CAP HOUSING (PN:174359)

HB	自然色 (NATURAL)	1-174360-1
V-2	黄 (YELLOW)	174360-7
使用材料難燃グレード (FLAMMABILITY OF MATERIAL)	色 (COLOR)	型番 (PART NUMBER)

THIS DRAWING IS A CONTROLLED DOCUMENT.		DWN	K.ODA	8/19'87	 TE Connectivity												
DIMENSIONS: mm		CHK	Y.MATSUSAKA	8/24'87													
TOLERANCES UNLESS OTHERWISE SPECIFIED:		APVD	M.NOGUCHI	8/25'87													
0 PLC ±- 1 PLC ±- 2 PLC ±- 3 PLC ±- 4 PLC ±- ANGLES ±-		NAME		3P. ECONOSEAL J-MARKII+ CONNECTOR DOUBLE LOCK PLATE FOR CAP HOUSING													
MATERIAL		PBT		FINISH	-	PRODUCT SPEC	108-5262	APPLICATION SPEC	-	SIZE	A3	CAGE CODE	00779	DRAWING NO	C=174360	RESTRICTED TO	-
GENERAL TOLERANCE		PBT		FINISH	-	CUSTOMER DRAWING		SCALE	5:1	SHEET	1 of 1	REV	C1				

GENERAL TOLERANCE	
0 < * ≤ 10	: ±0.2
10 < * ≤ 30	: ±0.25
30 < * ≤ 100	: ±0.3
ANGLES	: ±3°