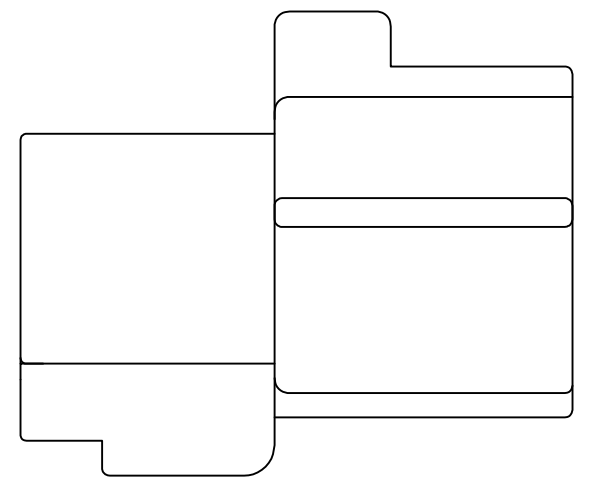
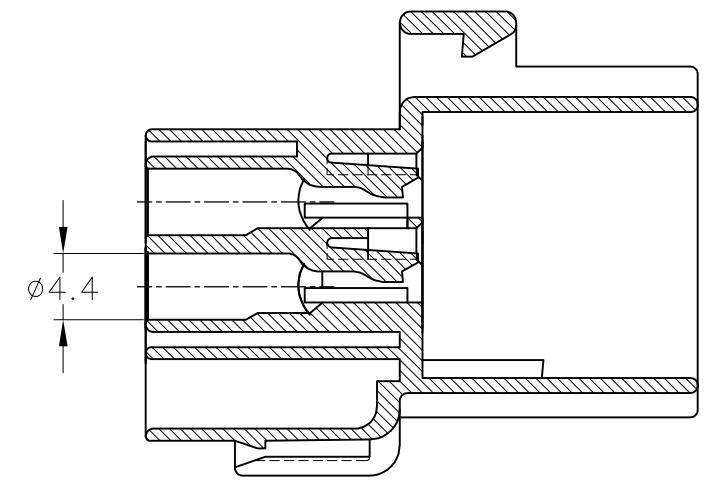
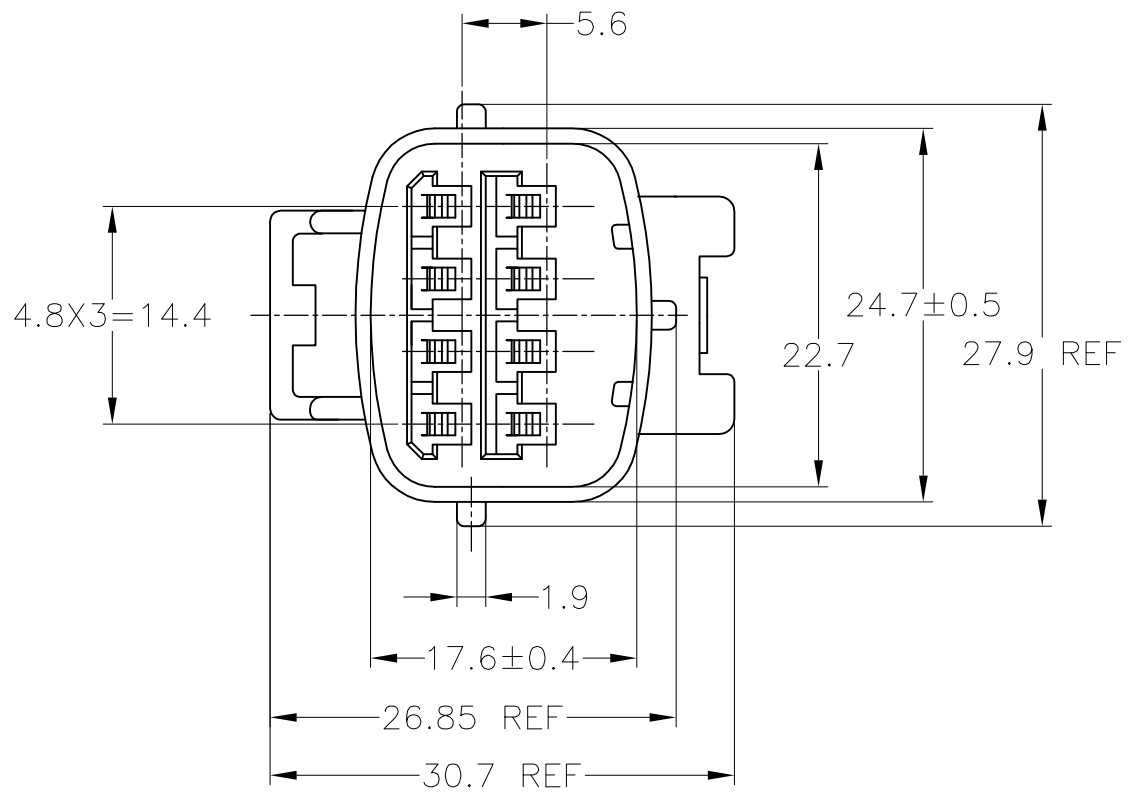
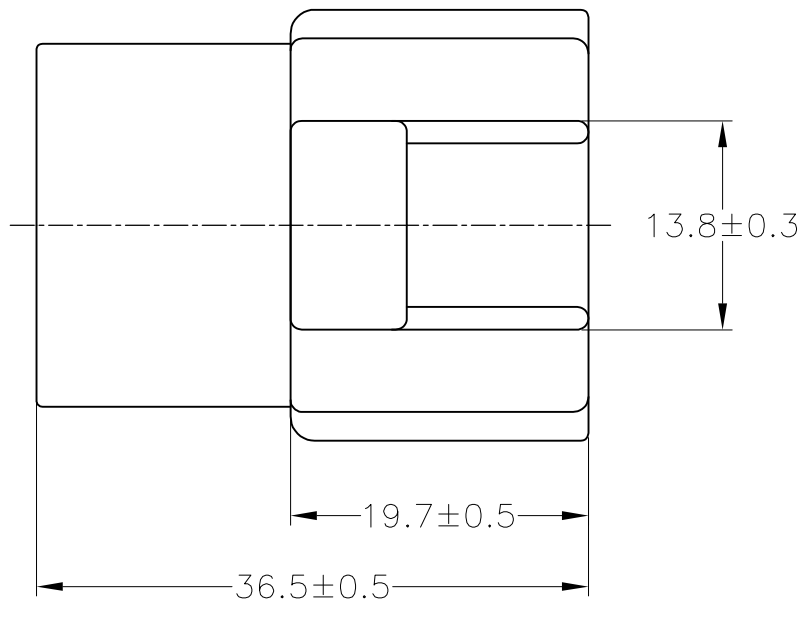
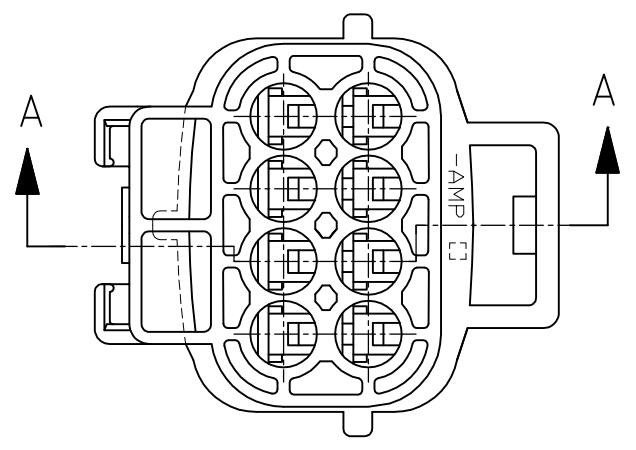


THIS DRAWING IS UNPUBLISHED. RELEASED FOR PUBLICATION  
 © COPYRIGHT 2003 By -- ALL RIGHTS RESERVED.

LOC	DIST	REVISIONS					
J	—	P	LTR	DESCRIPTION	DATE	DWN	APVD
		A2		REVISED PER ECO-11-005140	28MAR11	RK	HMR



- 1. 嵌合相手型番：174982
- 2. 本品はダブルロックプレートPN 174985を装着して使用する。
- 1. FOR PLUG HOUSING (PN 174982)
- 2. THIS PART MUST BE USED WITH DOUBLE LOCK PLATE (PN 174985)

BLACK	174984-2
GRAY	174984-1
COLOR	PART NUMBER

TOLERANCE UNLESS OTHERWISE SPECIFIED: 一般公差

0 < x ≤ 10	: ±0.2
10 < x ≤ 30	: ±0.25
30 < x ≤ 100	: ±0.3
ANGLE ; 角度	: ±3°

THIS DRAWING IS A CONTROLLED DOCUMENT.

DIMENSIONS: 单位: 耗 mm	TOLERANCES UNLESS OTHERWISE SPECIFIED: 一般公差	DWN A. YAMAGUCHI 04APR03	TE Connectivity 8POSITION ECONOSEAL J-MARK II+ CONNECTOR CAP HOUSING
	0 PLC ±- 1 PLC ±- 2 PLC ±- 3 PLC ±- 4 PLC ±- ANGLES ±-	CHK K. BETSUI 04APR03	
	MATERIAL 材料 PBT	APVD K. BETSUI 04APR03	
FINISH 仕上	COLOR: SEE TABLE	NAME 名称 8POSITION ECONOSEAL J-MARK II+ CONNECTOR CAP HOUSING	
WEIGHT -	CUSTOMER DRAWING	PRODUCT SPEC 製品規格 108-5262	SIZE A3
		APPLICATION SPEC 取付適用規格 -	CAGE CODE 00779
		SCALE 尺度 2:1	DRAWING NO 番号 G-174984
		SHEET 1 OF 1	RESTRICTED TO -
		REV A2	