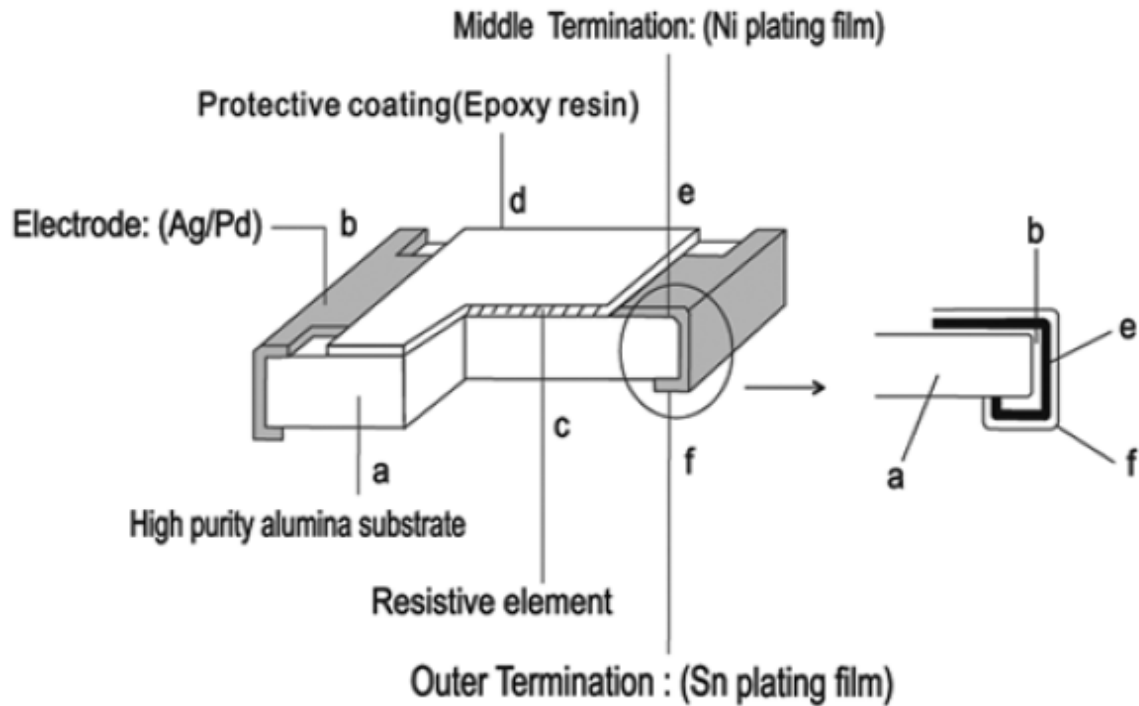


## SMD THICK FILM CHIP RESISTORS

### CONSTRUCTION



### APPLICATION

Entertainment: stereo, TV tuners, tape recorder

Appliance: Air conditioner, refrigerator

Computer & relative products: Mainboard, PDA

Communication equipment: cell phone, Fax machine

Power equipment: power supply, illumination equipment

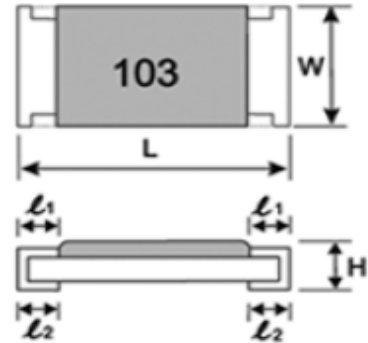
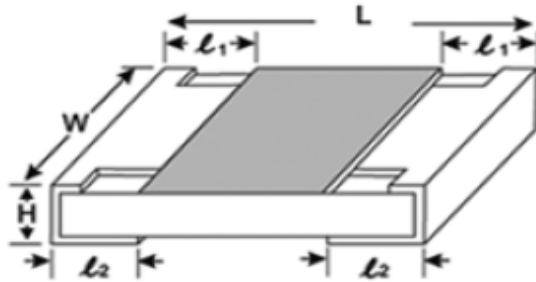
Measuring instrument: Electric meter, Navigation equipment

### FEATURES

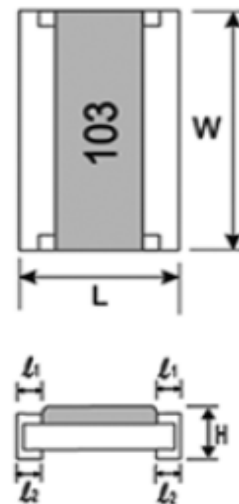
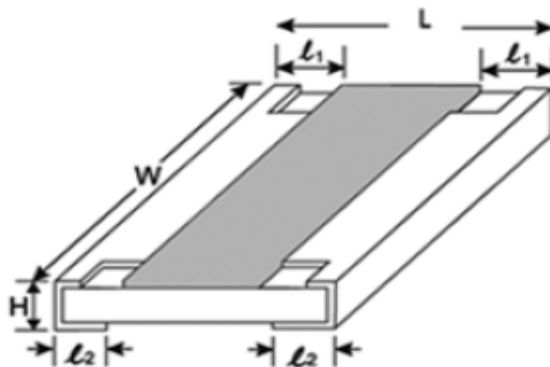
- Small size and light weight
- Reduction of assembly costs and matching with placement machines.
- Reliability, High quality and Fast delivery.

## SMD THICK FILM CHIP RESISTORS

□ CR0201 / CR0402 / CR0603 / CR0805 / CR1206 / CR1210 /  
CR1812 / CR2010 / CR2512



□ CR1218 / CR2030



### DIMENSION

Unit : mm

TYPE	L	W	H	$l_1$	$l_2$
CR0201	$0.60 \pm 0.03$	$0.30 \pm 0.03$	$0.23 \pm 0.05$	$0.15 \pm 0.05$	$0.15 \pm 0.05$
CR0402	$1.00 \pm 0.10$	$0.50 \pm 0.05$	$0.30 \pm 0.05$	$0.20 \pm 0.10$	$0.20 \pm 0.10$
CR0603	$1.60 \pm 0.20$	$0.80 \pm 0.15$	$0.40 \pm 0.10$	$0.30 \pm 0.20$	$0.30 \pm 0.15$
CR0805	$2.00 \pm 0.20$	$1.25 \pm 0.15$	$0.50 \pm 0.15$	$0.35 \pm 0.15$	$0.35 \pm 0.15$
CR1206	$3.20 \pm 0.20$	$1.60 \pm 0.20$	$0.55 \pm 0.15$	$0.45 \pm 0.20$	$0.45 \pm 0.20$
CR1210	$3.20 \pm 0.20$	$2.50 \pm 0.20$	$0.55 \pm 0.15$	$0.50 \pm 0.20$	$0.50 \pm 0.20$
CR1812	$4.50 \pm 0.10$	$3.00 \pm 0.10$	$0.55 \pm 0.05$	$0.55 \pm 0.10$	$0.80 \pm 0.10$
CR2010	$5.00 \pm 0.20$	$2.50 \pm 0.20$	$0.55 \pm 0.10$	$0.60 \pm 0.20$	$0.60 \pm 0.20$
CR1218	$3.10 \pm 0.10$	$4.60 \pm 0.10$	$0.55 \pm 0.05$	$0.45 \pm 0.10$	$0.40 \pm 0.10$
CR2512	$6.30 \pm 0.20$	$3.20 \pm 0.20$	$0.55 \pm 0.10$	$0.60 \pm 0.20$	$0.60 \pm 0.20$
CR2030	$5.10 \pm 0.10$	$7.60 \pm 0.10$	$0.60 \pm 0.05$	$0.80 \pm 0.10$	$0.70 \pm 0.10$

## RATINGS

TYPE	Rating Power at 70°C	Max Working Voltage	Max Overload Voltage	T.C.R (PPM/°C)	Resistance Range				Operating Temperature Range
					B(±0.1%) D(±0.5%)	F(±1%) below	G(±2%)	J(±5%) K(±10%)	
CR0201	0.05W	25V	50V	+200~-200				10Ω~1MΩ	-55°C ? +125°C
CR0402	0.063W	50V	100V	+500~-200		1Ω~9.9Ω	1Ω~9.9Ω	1Ω~9.9Ω	
				+300~-300		10Ω~990Ω	10Ω~990Ω	10Ω~990Ω	
				+200~-200	10Ω~1MΩ	1KΩ~10MΩ	1KΩ~10MΩ	1KΩ~10MΩ	
CR0603	0.1W	50V	100V	+400~-400		1Ω~9.9Ω	1Ω~9.9Ω	1Ω~9.9Ω	
				+200~-200		10Ω~10MΩ	10Ω~10MΩ	10Ω~10MΩ	
				+100~-100	10Ω~1MΩ	10Ω~10MΩ			
CR0805	0.125W	150V	300V	+400~-400		1Ω~9.9Ω	1Ω~9.9Ω	1Ω~9.9Ω	
				+200~-200		10Ω~10MΩ	10Ω~10MΩ	10Ω~10MΩ	
				+100~-100	10Ω~1MΩ	10Ω~10MΩ			
CR1206	0.25W	200V	400V	+400~-400		1Ω~9.9Ω	1Ω~9.9Ω	1Ω~9.9Ω	
				+200~-200		10Ω~10MΩ	10Ω~10MΩ	10Ω~10MΩ	
				+100~-100	10Ω~1MΩ	10Ω~10MΩ			
CR1210	0.333W	200V	400V	+400~-400		1Ω~9.9Ω	1Ω~9.9Ω	1Ω~9.9Ω	
				+200~-200		10Ω~10MΩ	10Ω~10MΩ	10Ω~10MΩ	
				+100~-100	10Ω~1MΩ	10Ω~10MΩ			
CR1812	0.5W	200V	400V	+400~-400		1Ω~9.9Ω	1Ω~9.9Ω	1Ω~9.9Ω	
				+200~-200		10Ω~10MΩ	10Ω~10MΩ	10Ω~10MΩ	
				+100~-100	10Ω~1MΩ	10Ω~10MΩ			
CR2010	0.5W	200V	400V	+400~-400		1Ω~9.9Ω	1Ω~9.9Ω	1Ω~9.9Ω	
				+200~-200		10Ω~10MΩ	10Ω~10MΩ	10Ω~10MΩ	
				+100~-100	10Ω~1MΩ	10Ω~10MΩ			
CR1218	1W	200V	400V	+400~-400		1Ω~9.9Ω	1Ω~9.9Ω	1Ω~9.9Ω	
				+200~-200		10Ω~10MΩ	10Ω~10MΩ	10Ω~10MΩ	
				+100~-100	10Ω~1MΩ	10Ω~10MΩ			
CR2512	1W	200V	400V	+400~-400		1Ω~9.9Ω	1Ω~9.9Ω	1Ω~9.9Ω	
				+200~-200		10Ω~10MΩ	10Ω~10MΩ	10Ω~10MΩ	
				+100~-100	10Ω~1MΩ	10Ω~10MΩ			
CR2030	2W	200V	400V	+400~-400		1Ω~9.9Ω	1Ω~9.9Ω	1Ω~9.9Ω	
				+200~-200		10Ω~10MΩ	10Ω~10MΩ	10Ω~10MΩ	
				+100~-100	10Ω~1MΩ	10Ω~10MΩ			

TYPE	CR0201	CR0402	CR0603	CR0805	CR1206	CR1210	CR1812	CR2010	CR1218	CR2512	CR2030
Jumper Resistance Value	50mΩ Max										
Rated Power at 70°C	0.05W	0.063W	0.1W	0.125W	0.25W	0.333W	0.5W	0.5W	1W	1W	2W
Jumper Rated Current	0.5A	1A			2A						
Operating Temperature Range	-55°C~+125°C										

## PARTS NUMBER EXPLANATION

**EXAMPLE: CR0603 J 10R P05**

TYPE

RESISTOR  
TOLERANCE

PACKAGE

RESISTANCE  
VALUE

QUANTITY

Type	
0603(0201)	CR0201
1005(0402)	CR0402
1608(0603)	CR0603
2012(0805)	CR0805
3216(1206)	CR1206
3225(1210)	CR1210
4631(1812)	CR1812
5025(2010)	CR2010
3248(1218)	CR1218
6432(2512)	CR2512
5176(2030)	CR2030
0402 2 elements	CRA022R
0402 2 elements	CRA022C
0402 4 elements	CRA024R
0402 4 elements	CRA024C
0402 8 elements	CRN028R
0603 2 elements	CRA032R
0603 4 elements	CRA034R
0603 4 elements	CRA034C
1206 4 elements	CRA064R

Resistor Tolerance			
B	±0.1%	J	±5%
C	±0.25%	K	±10%
D	±0.5%	L	±15%
F	±1%	M	±20%
G	±2%	N	±30%

Package	
P - Q	Paper Taping
E	Embossed Taping
D	Packed in a Bag

QUANTITY	
01	1000PCS
02	2000PCS
04	4000PCS
05	5000PCS
10	10000PCS
20	20000PCS
40	40000PCS
50	50000PCS

EXAPLE : CRA034RJ10RP05  
CRA034CJ10RP05

CRA034R J 10R P 05  
A B C D E F

CRA034C J 10R P 05  
A B C D E F

A. Type(SCRA034R 0603 ARRAY)

B. Type(R=Convex C=Concave)

C. Tolerance(F: ± 1% J: ± 5% k: ± 10%)

D. Resistance Value(E - 24 E - 96 Series) 10R

E. Packing(P: Paper Tape Reel)

F. QUANTITY (05: 5000pcs)