

### Cleaning:

- > Clean this unit only with a soft dry cloth
- > Do not use any chemical or abrasive cleaners.

### Technical details:

Voltage:	220—240Vac 50Hz
Wattage / Load:	Maximum 2000W incandescent lamp ( resistive load ) Maximum 500W fluorescent lamp ( inductive load )
Detection range:	360°, radius 4.5m at an installation height of 2.8m
Duration ( time on ):	10±5 seconds to 14±1 minutes adjustable
Lux control:	From daylight to night ( dark )

### Eventually, you may want to replace this PIR detector:

When your unit comes to the end of its life or you choose to update or upgrade it by replacing it, please do not dispose of it with your normal household waste, please recycle where facilities exist. When you need to dispose of this unit, check with your retailer or local authority for suitable options. New regulations require the recycling of Waste from Electrical and Electronic Equipment ( European "WEEE Directive" effective August 2005—UK WEEE Regulations effective 2nd January 2007 ).



### If you experience problems:

If your unit is defective or develops a fault, please return it to the place where you bought it. You can call our Helpline for advice. The Helpline will gladly give advice on any aspect of any Eterna Lighting product but may not be able to give specific instructions regarding individual installations. If in doubt, consult a qualified electrician.

### Help line:

Tel: 01933 673 144      Fax: 01933 678 083      Email: [sales@eterna-lighting.co.uk](mailto:sales@eterna-lighting.co.uk)  
For answers to frequently asked questions ( FAQs ) and other information visit our web-site  
[www.eterna-lighting.co.uk](http://www.eterna-lighting.co.uk)



# IMPORTANT !

## Safety and Installation instructions

## Flush mounted PIR

**Model(s)**  
PIRFM360

**PLEASE READ THESE INSTRUCTIONS BEFORE INSTALLING  
YOUR NEW FITTING**

**PLEASE RETAIN FOR FUTURE REFERENCE**

## Read this first:

- > This light fitting must be installed in accordance with the Building Regulations making reference to the current edition of the IEE Wiring Regulations (BS7671). The Building Regulations may be obtained from HMSO or viewed and downloaded from [www.communities.gov.uk](http://www.communities.gov.uk) following the link for Building Regulations.
- > If in any doubt, consult a qualified electrician.
- > Switch off the mains before commencing installation and remove the appropriate circuit fuse.
- > Disconnect the unit from the electrical supply before flash or high voltage testing.
- > Do not connect to a circuit which also has large inductive loads connected as spikes generated switching inductive loads may damage electronic components within your PIR switch.
- > Suitable for indoor use only.
- > The sensor is designed for optimum performance when installed into a domestic ceiling.
- > Do not position close to or pointing at any source of heat such as a heater or heat extraction unit or vent. This may cause false triggering.
- > Do not position close to or pointing at any bright light source as this will hinder operation of the lux control.
- > Before making fixing hole, check that there are no obstructions hidden beneath the mounting surface such as pipes or cables.
- > Do not fit in surfaces which are damp, freshly painted or otherwise electrically conductive (e.g. metallic surfaces).
- > If the location of your new unit requires the provision of a new electrical supply, the supply must conform with the requirements of the Building Regulations making reference to the current edition of the IEE Wiring Regulations (BS7671).
- > This product is designed for permanent connection to fixed wiring: this should be either a suitable lighting circuit (protected with a 5 or 6 Amp MCB or fuse) or a fused spur (with a 3 Amp fuse) via a fused connection unit. We recommend that the supply incorporates a switch for ease of operation.
- > Make connections to the electrical supply in accordance with the following code:
  - Live (in/out) - Brown or Red
  - Neutral - Blue or Black
- > When making connections, ensure that the terminals are tightened securely and that no strands of wire

protrude. Check that the terminals are tightened onto the bared conductors and not onto any insulation.

- > This fitting is double insulated, do not connect any part to earth.
- > You are advised at every stage of your installation to double-check any electrical connections you have made. After you have completed your installation there are electrical tests that should be carried out: these tests are specified in the Wiring Regulations (BS7671) referred to in the Building Regulations. If in doubt, consult a qualified electrician.
- > Never remove the lens cover as the sensor inside will be damaged and any guarantee will become invalid.

## Installation:

- 1) Choose the location for your new PIR switch according to the conditions listed above.
- 2) Cut a round hole 2 1/2" ( 63mm ) in diameter in your mounting surface.
- 3) Using a small flat-bladed screwdriver, remove the transparent cover from the mains terminals.
- 4) Remove the top of the cord grip from the top of the PIR unit.
- 5) With the supply and load wiring hanging through the hole in your ceiling, connect the Live in, Live load and Neutral wires according to the colour code above and the markings next to the terminals.
- 6) Fit the cables under the cable grip and tighten securely.
- 7) Press the transparent cover back into position.
- 8) Set the Lux control to the day position ( sun symbol ) and the time control to minimum.
- 9) Press the side springs upwards against the side of the unit and offer up into the hole in your ceiling.
- 10) Release the unit into the hole allowing the strength of the springs to hold it in position.

## Operation:

### Walk test

- When the power is switched on, the unit will enter it's "warm up" mode for approximately 1 minute after which it will enter "auto" mode. When the sensor is in "auto" mode, a walk test can be performed.
- With the Lux control set to daylight ( sun position ) and the time control set to minimum ( you should have done this when you fitted the unit into your ceiling ),

you will be able to determine the area of detection by walking slowly beneath the sensor. The load will be switched on for a pre-set period of time when the sensor is triggered.

- Please note that the sensor is more sensitive to movement past it than to movement directly towards it—please see diagram.
- After completing the walk test, set the Lux control to the night position ( if night-time only operation is required ) and set the time control to achieve the desired time on duration.

### Adjusting the Lux control

The Lux control has a built-in photocell that detects daylight and darkness. Turning the control towards the [ sun ] symbol will result in the unit switching in all light levels. Turning the control towards the [ moon ] symbol will result in

the unit switching only in reduced light. Set the unit to switch at the desired light level using this control.

### Adjusting the duration time

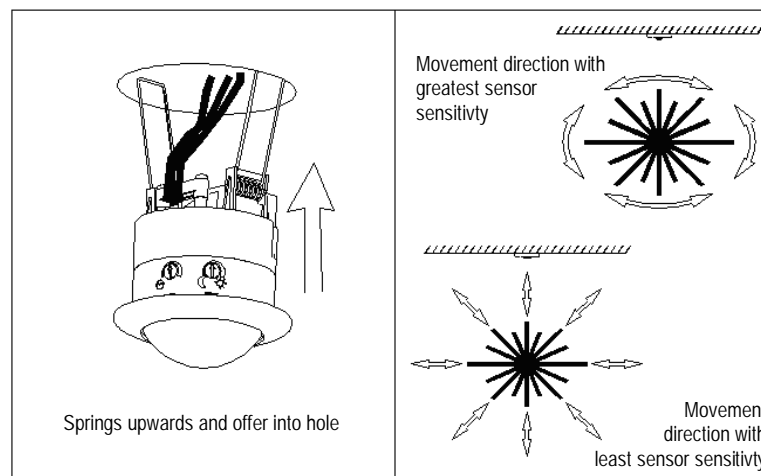
The duration time is the length of time for which the load remains energised after the sensor has been triggered. This time can be adjusted from 10±5 seconds to 4±1 minutes. Turning the control from the [ + ] symbol to the [ - ] symbol will reduce the duration time.

### Note:

Once the sensor has been triggered, any subsequent detection will start the time period again from the beginning.

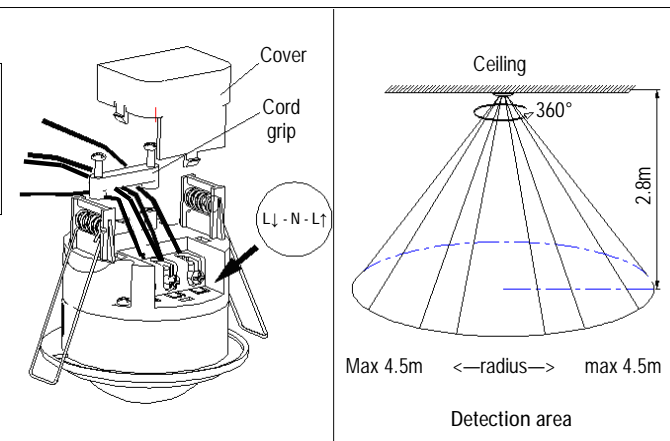
### Response time

It is normal for a delay of several seconds to occur between the sensor detecting movement and the load switching on.



### Connections:-

N = Neutral ( load & supply )  
 L↑ = Live ( supply in )  
 L↓ = Live ( load out )



## Safety markings:

