

VOLTAGE RANGE: 200 - 1000V

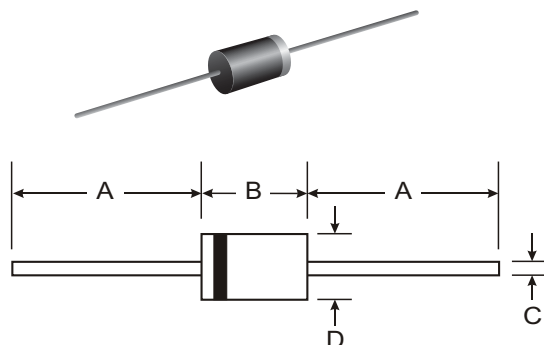
CURRENT: 1.0 A

Features

- Low leakage
- Low forward voltage drop
- High current capability
- Easily cleaned with Freon, Alcohol, Isopropanol and similar solvents
- The plastic material carries U/L recognition 94V-0

Mechanical Data

- Case: DO-41, molded plastic
- Terminals: Axial lead, solderable per MIL-STD-202, Method 208
- Polarity: Color band denotes cathode
- Mounting position: Any
- Weight: 0.35 grams (approx.)



DO-41		
Dim	Min	Max
A	25.40	—
B	4.06	5.21
C	0.71	0.864
D	2.00	2.72
All Dimensions in mm		

Maximum Ratings and Electrical Characteristics T_A = 25°C unless otherwise specified

Single phase, half wave, 60Hz, resistive or inductive load. For capacitive load, derate current by 20%.

Characteristic	Symbol	ERB44-02	ERB44-04	ERB44-06	ERB44-08	ERB44-10	Unit
Maximum recurrent peak reverse voltage	V _{RRM}	200	400	600	800	1000	V
Maximum RMS voltage	V _{RMS}	140	280	420	560	700	V
Maximum DC blocking voltage	V _{DC}	200	400	600	800	1000	V
Maximum average forward rectified current 9.5mm lead length, @T _A =75°C	I _{F(AV)}	1.0					A
Peak forward surge current 8.3ms single half-sine-wave superimposed on rated load @T _J =125°C	I _{FSM}	30.0					A
Maximum instantaneous forward voltage @ 1.0 A	V _F	1.1					V
Maximum reverse current @T _A =25°C at rated DC blocking voltage @T _A =100°C	I _R	5.0 100.0					μA
Maximum reverse recovery time (Note1)	t _{rr}	400					ns
Typical junction capacitance (Note2)	C _J	12					pF
Typical thermal resistance (Note3)	R _{θJA}	55					°C/W
Operating junction temperature range	T _J	- 55---- +150					°C
Storage temperature range	T _{STG}	- 55---- + 150					°C

NOTE: 1. Measured with I_F=0.5A, I_R=1A, I_r=0.25A.

2. Measured at 1.0MHz and applied reverse voltage of 4.0V DC.

3. Thermal resistance from junction to ambient.

FIG.1 – REVERSE RECOVERY TIME CHARACTERISTIC AND TEST CIRCUIT DIAGRAM

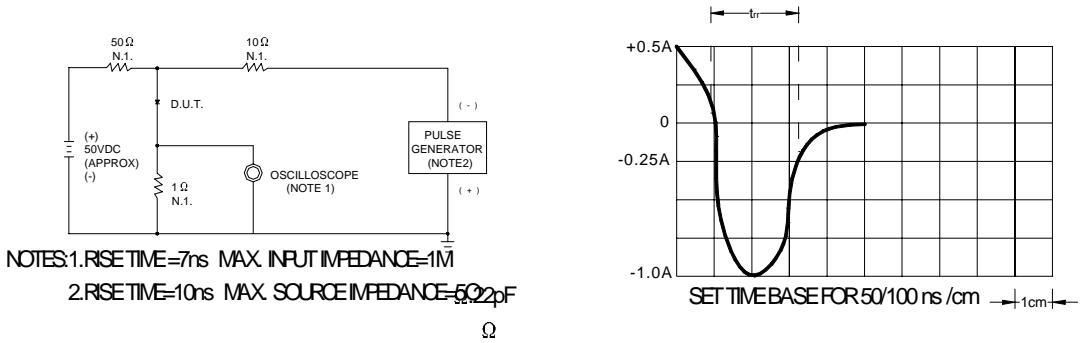


FIG.2 – TYPICAL FORWARD CHARACTERISTIC

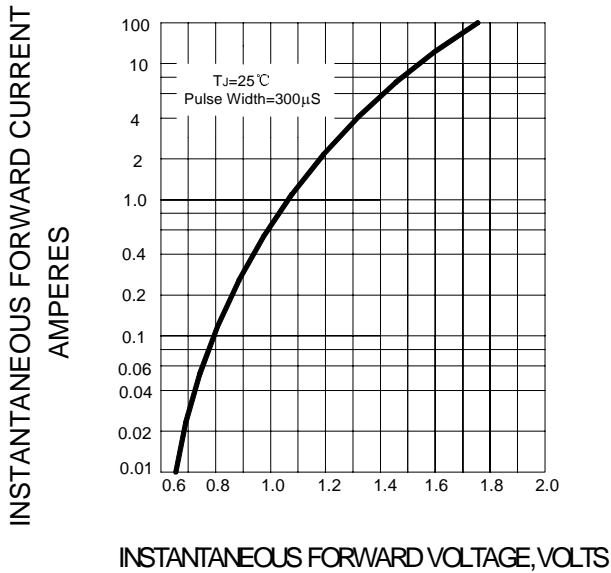


FIG.3 – FORWARD DERATING CURVE

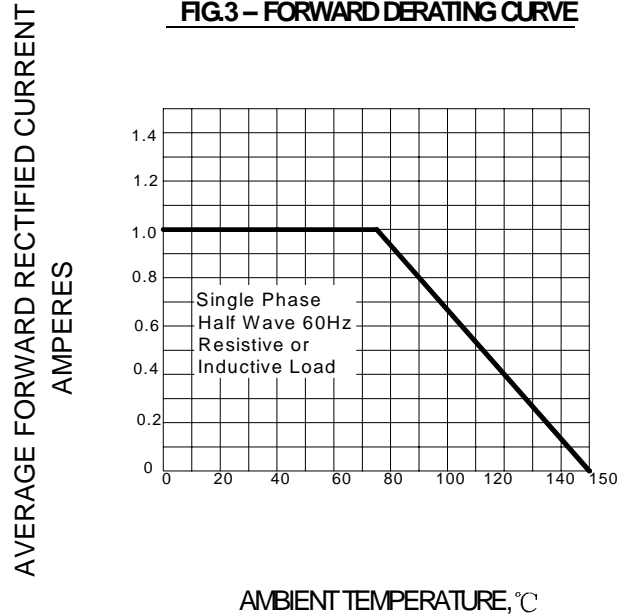


FIG.4 – TYPICAL JUNCTION CAPACITANCE

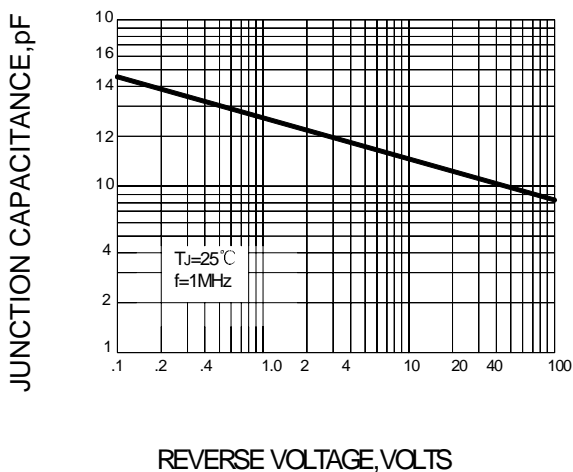


FIG.5 – PEAK FORWARD SURGE CURRENT

