

FP1 MINI® Style PCB Fuse Rated 32V



Specifications

UL 248 Special Purpose Fuses
cULus Recognized: File No. E211637

Insulating body: Out of thermoplastic (UL 94-V0, heat-resistant)
Cover: Out of thermoplastic (V0, transparent),
 Visible melting-element
 Shunt: Red, not transparent
Terminals: Soldering pins
 Copper alloy, gal. Sn plated
Interrupting Rating: 1000 A @ 32 VDC
Packaging:

| Series | Pack Size |
|---------------|-----------|
| 168.6585.xxx6 | 100 |
| 168.6585xxx2 | 1500 |

The FP1 is a MINI® style fuse for direct trough-hole pcb soldering. The FP1 has similar performance characteristics as the standard FK1 fuse.

FP1 ist eine Sicherung in MINI-Bauform für direkte Leiterplattenmontage (Durchkontaktierung) mit ähnlichen Leistungsmerkmalen wie die Standard-FK1-Sicherung.

Time-Current Characteristics / Schmelzeit-Grenzwerte

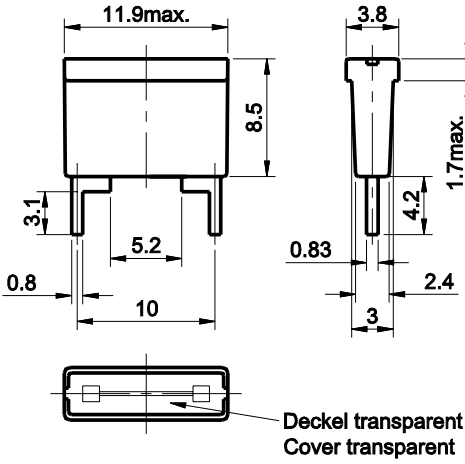
| % of Rating % des Nennstromes | Opening Time Min / Max (s) Schmelzcharakteristik Min / Max (s) |
|----------------------------------|---|
| 110 | 360,000 s / – |
| 135 | 0.750 s / 1,800 s |
| 200 | 0.150 s / 5 s |
| 350 | 0.040 s / 0.500 s |
| 600 | 0.020 s / 0.100 s |

| Part Number Artikel-Nr. | Current Rating Nennstrom | Housing Color Kennfarbe | Typ. Voltage Drop Typ. Spannungsfall | | Cold Resistance Kaltwiderstand | I²t |
|----------------------------|-----------------------------|----------------------------|---|-----------------|-----------------------------------|-----------|
| | | | Standard DIN max. | Littelfuse max. | | |
| 168.6585.410_ | 1 A | Black | 225 mV | 135 mV | 100 mΩ | 0.83 A²s |
| 168.6585.420_ | 2 A | Grey | 200 mV | 110 mV | 43.0 mΩ | 3.31 A²s |
| 168.6585.430_ | 3 A | Purple | 175 mV | 110 mV | 27.0 mΩ | 7.45 A²s |
| 168.6585.440_ | 4 A | Pink | 175 mV | 110 mV | 21.3 mΩ | 16.7 A²s |
| 168.6585.450_ | 5 A | Brown | 175 mV | 105 mV | 16.2 mΩ | 19.8 A²s |
| 168.6585.475_ | 7.5 A | Dark Brown | 150 mV | 100 mV | 9.70 mΩ | 44.5 A²s |
| 168.6585.510_ | 10 A | Red | 125 mV | 110 mV | 7.40 mΩ | 79.2 A²s |
| 168.6585.515_ | 15 A | Blue | 125 mV | 105 mV | 4.50 mΩ | 178 A²s |
| 168.6585.520_ | 20 A | Yellow | – | 100 mV | 3.10 mΩ | 331 A²s |
| 168.6585.525_ | 25 A | White | – | 105 mV | 2.60 mΩ | 653 A²s |
| 168.6585.530_ | 30 A | Green | – | 105 mV | 1.90 mΩ | 1,264 A²s |
| 160.6585.0002 | Shunt | Red | – | 60 mV | 1.35 mΩ | 1,800 A²s |

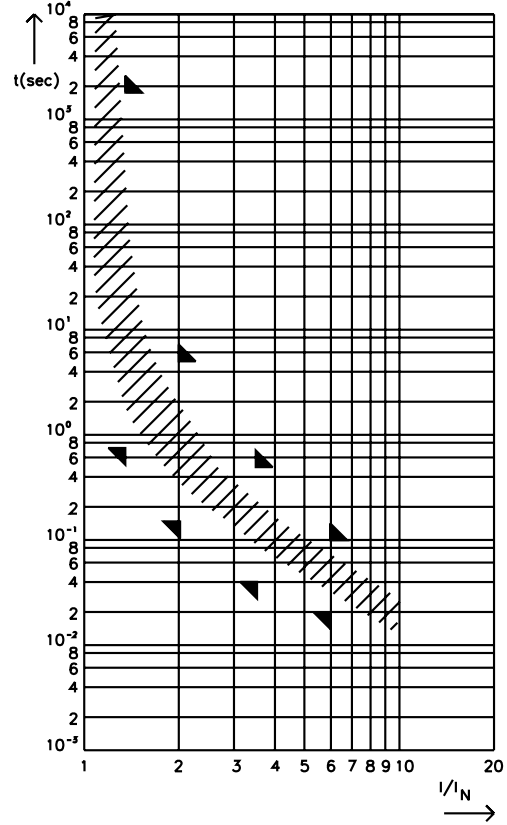
Corresponding holder see Section "Fuse Holders."

FP1 MINI® Style PCB Fuse Rated 32V

Dimensions in mm / Maße in mm



Pre-arcing Time - limits / Schmelzeit-Grenzwerte DIN



FI = 1.33 (max. operating current: 0.75 x I_{rat} at 23°C)

Blade Fuses