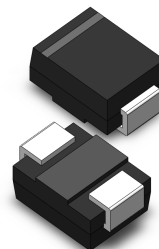


VOLTAGE RANGE: 50 - 1000V
CURRENT: 2.0 A

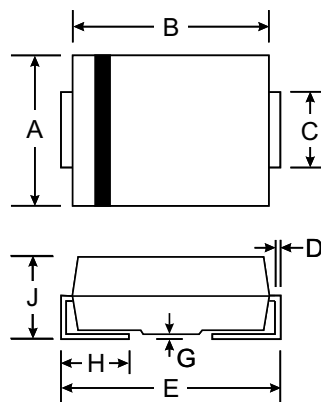


Features

- High current capability
- High surge current capability
- High reliability
- Low reverse current
- Low forward voltage drop
- Super fast recovery time

Mechanical Data

- Case : SMB(DO-214AB), Molded plastic
- Epoxy : UL94V-O rate flame retardant
- Lead : Lead Formed for Surface Mount
- Polarity : Color band denotes cathode end
- Mounting position : Any
- Weight : 0.093 gram



SMB(DO-214AA)		
Dim	Min	Max
A	3.30	3.94
B	4.06	4.70
C	1.91	2.21
D	0.15	0.31
E	5.00	5.59
G	0.10	0.20
H	0.76	1.52
J	2.00	2.62
All Dimensions in mm		

Maximum Ratings and Electrical Characteristics $T_A = 25^\circ\text{C}$ unless otherwise specified

Single phase, half wave, 60Hz, resistive or inductive load. For capacitive load, derate current by 20%.

Characteristic	Symbol	SS2A	SS2B	SS2C	SS2D	SS2E	SS2G	SS2J	SS2K	SS2M	Unit
Maximum Recurrent Peak Reverse Voltage	V_{RRM}	50	100	150	200	300	400	600	800	1000	Volts
Maximum RMS Voltage	V_{RMS}	35	70	105	140	210	280	420	560	700	Volts
Maximum DC Blocking Voltage	V_{DC}	50	100	150	200	300	400	600	800	1000	Volts
Maximum Average Forward Current $T_a = 55^\circ\text{C}$	$I_{F(AV)}$	2.0									Amps.
Peak Forward Surge Current, 8.3ms Single half sine wave Superimposed on rated load (JEDEC Method)	I_{FSM}	75									Amps.
Maximum Peak Forward Voltage at $I_F = 2.0\text{ A}$.	V_F	0.95			1.4		1.7			Volts	
Maximum DC Reverse Current $T_a = 25^\circ\text{C}$ at Rated DC Blocking Voltage $T_a = 100^\circ\text{C}$	I_R	5									μA
	$I_{R(H)}$	50									μA
Maximum Reverse Recovery Time (Note 1)	T_{rr}	35									ns
Typical Junction Capacitance (Note 2)	C_J	50									pf
Junction Temperature Range	T_J	- 65 to + 150									$^\circ\text{C}$
Storage Temperature Range	T_{STG}	- 65 to + 150									$^\circ\text{C}$

Notes :

- (1) Reverse Recovery Test Conditions : $I_F = 0.5\text{ A}$, $I_R = 1.0\text{ A}$, $I_{rr} = 0.25\text{ A}$.
- (2) Measured at 1.0 MHz and applied reverse voltage of 4.0 Vdc

RATING AND CHARACTERISTIC CURVES (SS2A - SS2M)

FIG.1 - REVERSE RECOVERY TIME CHARACTERISTIC AND TEST CIRCUIT DIAGRAM

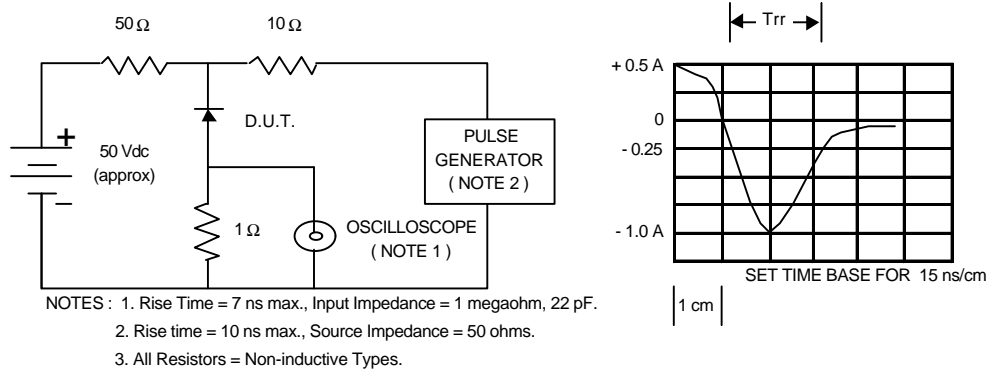


FIG.2 - DERATING CURVE FOR OUTPUT RECTIFIED CURRENT

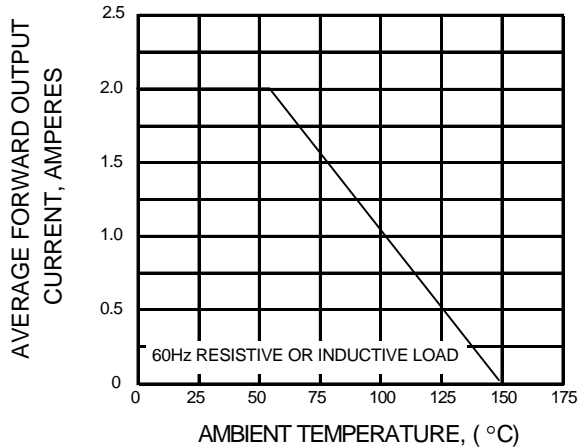


FIG.3 - MAXIMUM NON-REPETITIVE PEAK FORWARD SURGE CURRENT

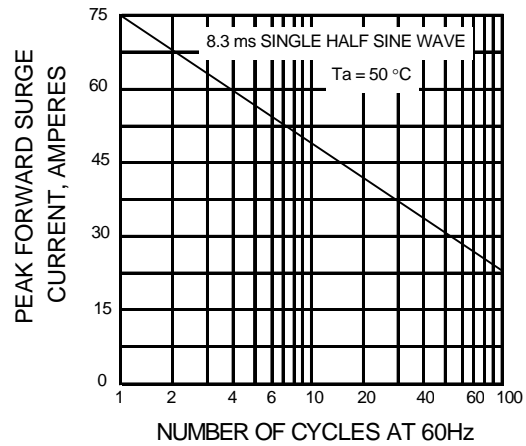


FIG.4 - TYPICAL FORWARD CHARACTERISTICS

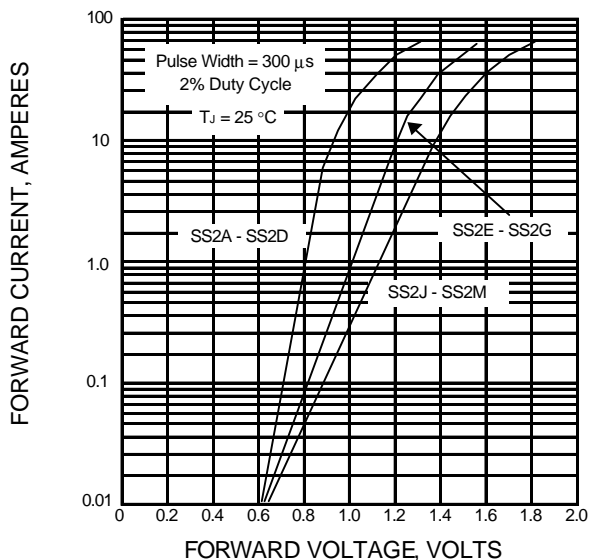


FIG.5 - TYPICAL REVERSE CHARACTERISTICS

